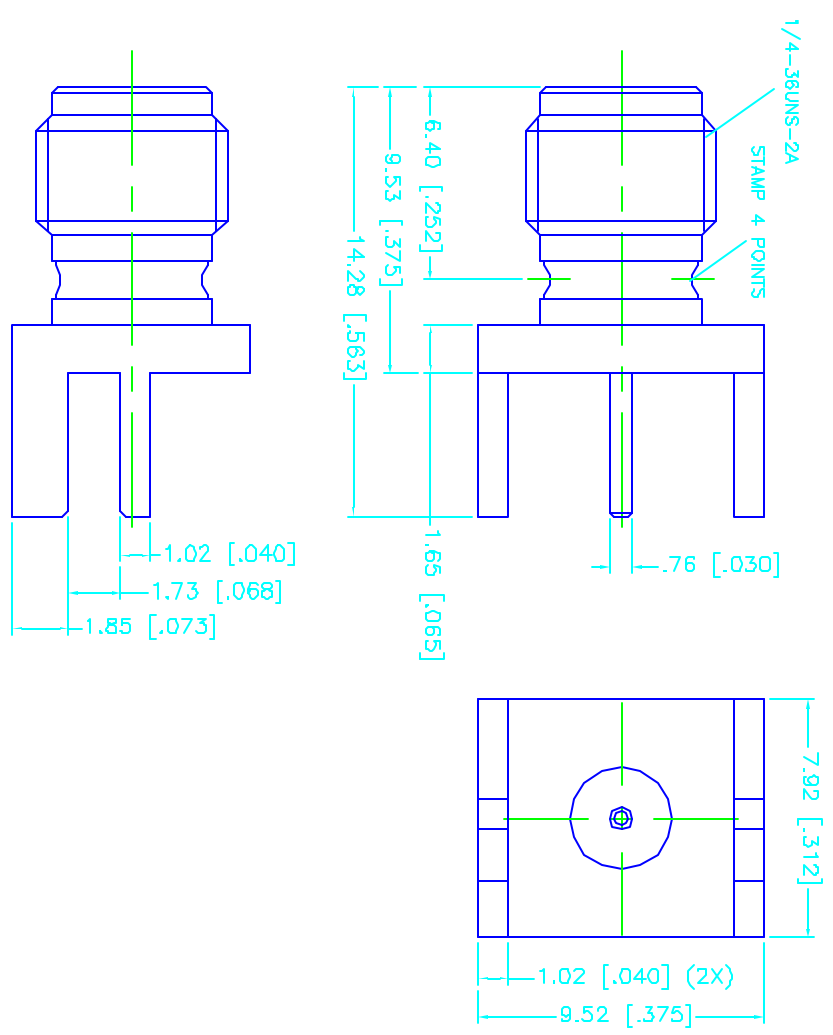



REV.	DATE	DESCRIPTION
NC	10/29/98	INITIAL RELEASE



DESCRIPTION	MATERIAL	FINISH	UNLESS OTHERWISE SPECIFIED DIMENSIONS ARE IN MILLIMETERS FOR CUSTOMER REFERENCE ONLY	APPROVALS	DATE	TITLE	SCALE	SHEET		
1 BODY	BRASS	GOLD	UNLESS OTHERWISE SPECIFIED DIMENSIONS ARE IN MILLIMETERS FOR CUSTOMER REFERENCE ONLY UNLESS OTHERWISE SPECIFIED TOLERANCES FOR MILLIMETERS ARE: 0.5-6 ± 0.2 6-30 ± 0.4 30-120 ± 0.6 120-315 ± 1 315-1000 ± 1.6 1000-2000 ± 2.4	DRAWN G.R.S.	10/29/98	SMA END LAUNCH RECEPTACLE  Connector Corporation	NA	1 32255		
2 INSULATOR	TEFLON	NATURAL		CHECKED						
3 CONTACT PIN	BER. COPPER	GOLD		ISSUED						
4										
5										
6										
7										
8				DO NOT SCALE DRAWING						

SIZE	FORM NO.	DWG. NO.	REV.
A	99001	1 32255.DWG	NC