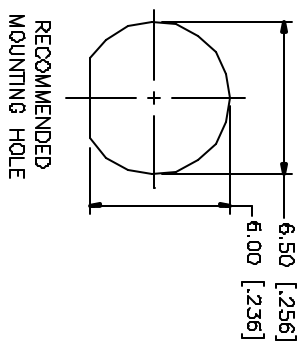
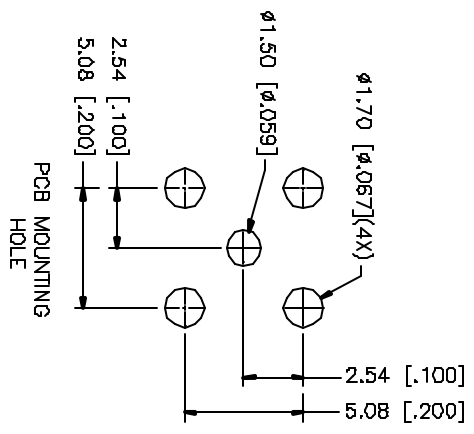
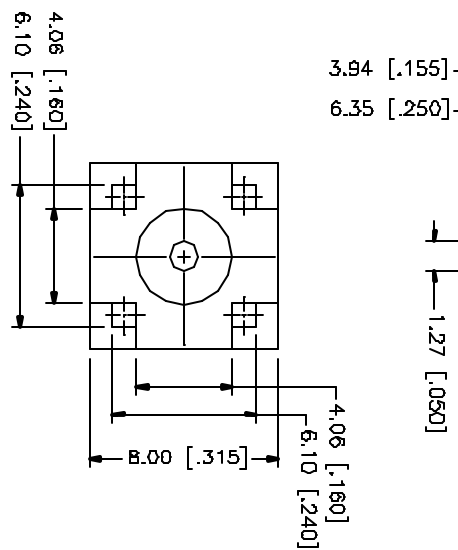
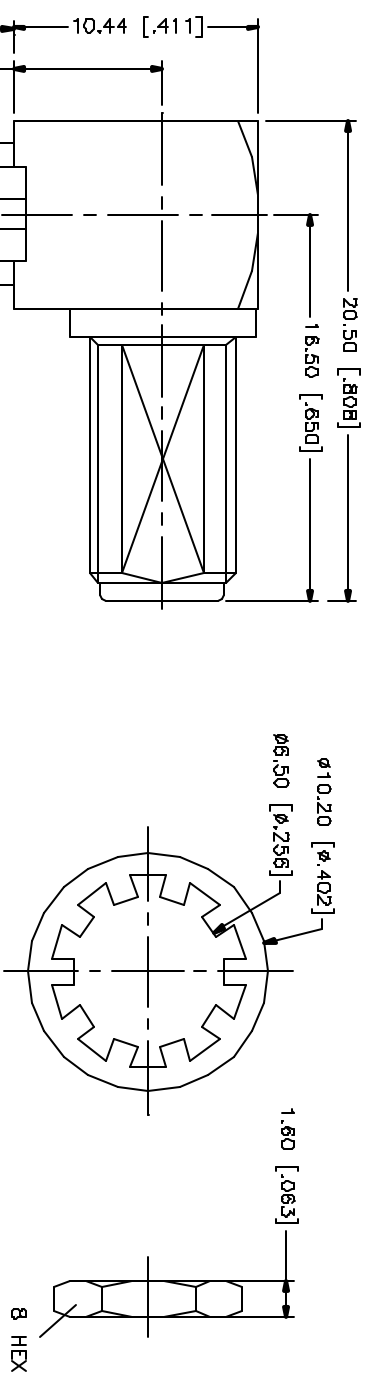


REV.	DATE	DESCRIPTION
A	05/10/04	UPDATE DRAWING FORMAT



NOTE:
1. MAX. PANEL THICKNESS 2.4mm [0.094]

PART DESCRIPTION		APPROVALS	DATE
SMA R/A BULKHEAD P.C. MOUNT JACK		G.R.S.	05/10/04
PART NO. 132203		DRAWN	
DWC. N/A. 132203.DWG		ISSUED	
REV. A		SHEET	1 OF 1
SIZE A		DAD FILE C:/132/132203.DWG	
SCALE NA			

QTY	FINISH	MATERIAL	DESCRIPTION
1	NATURAL	TEFLON	INSULATOR
1	GOLD	BRASS	HOUSING/BODY
1	GOLD	BER, COPPER	CONTACT FIN
1	GOLD	BRASS	CONTACT FIN
1	GOLD	BRASS	LOCK WASHER
1	GOLD	BRASS	HEX NUT

UNLESS OTHERWISE SPECIFIED, DIMENSIONS ARE IN MILLIMETERS AND DECIMALS ARE FOR CUSTOMER REFERENCE DATA.			
UNLESS OTHERWISE SPECIFIED, TOLERANCES FOR MILLIMETERS ARE:			
A - 30mm	± 0.20mm		
B - 30mm	± 0.40mm		
30 - 120mm	± 0.80mm		
UNLESS OTHERWISE SPECIFIED, TOLERANCES FOR DECIMALS ARE:			
.020 - .315	± 0.0075		
.315 - 1.180	± 0.0150		
1.180 - 4.724	± 0.0200		