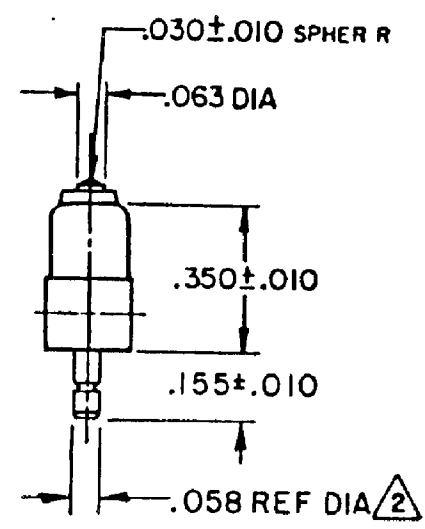
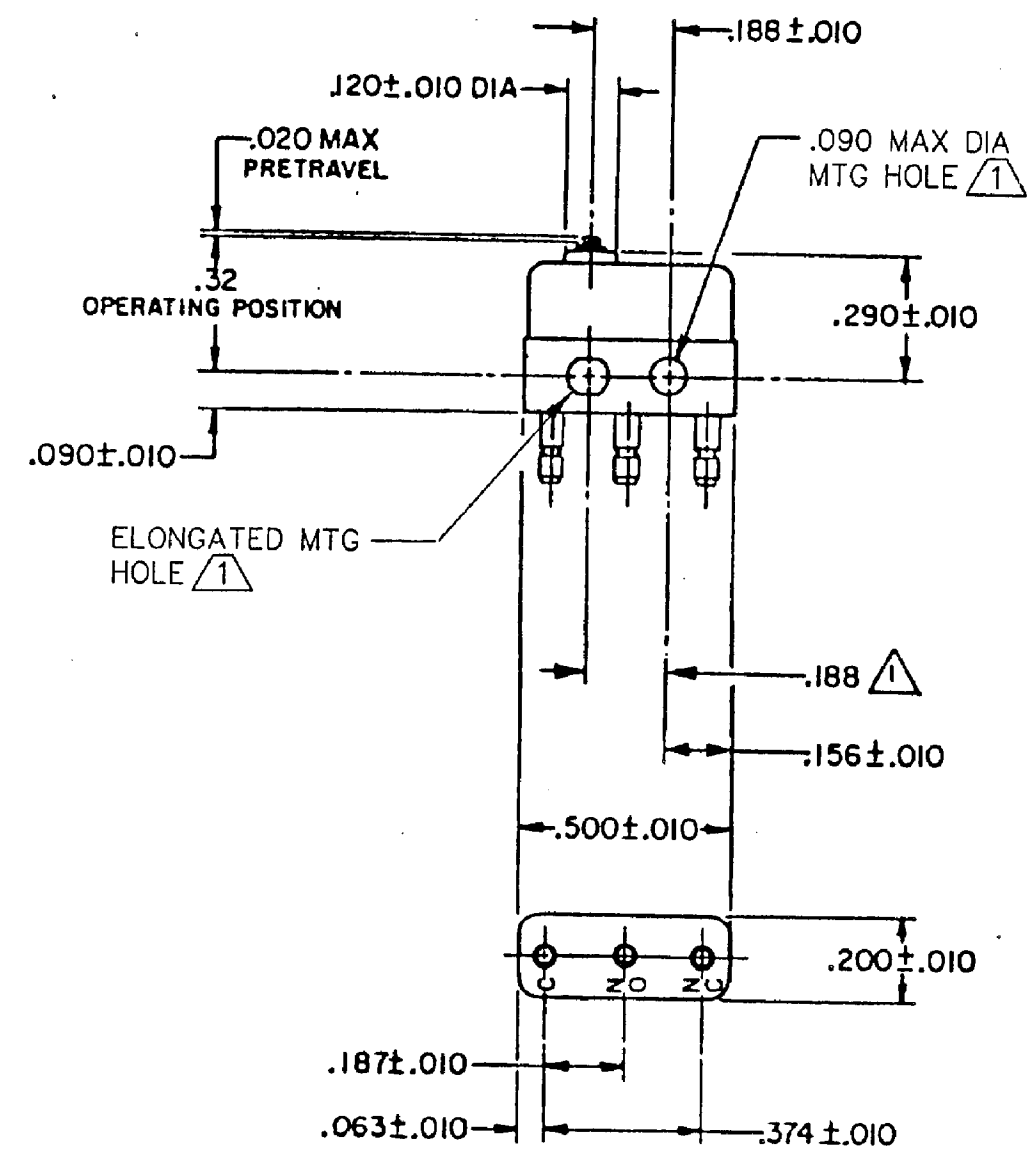
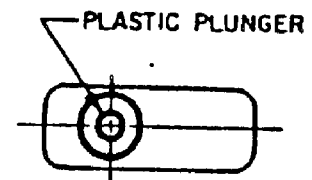


HONEYWELL
PART NUMBER
11SX48-H58
PRODUCT CODE
VDJ2198

REV	DOCUMENT	CHANGED BY	CHECK
4	0038448	VS 28APR08	BLR



- NOTES
- 1 MOUNTING HOLES WILL ACCEPT PINS OR SCREWS OF .087 MAX DIA ON .188±.002 CENTERS
 - 2 PLATED TERMINALS WILL ACCEPT "AMP INC" .058 DIA PIN RECEPTACLES
 - 3 - SWITCH WILL WITHSTAND TEMPERATURE OF 250°F

RELEASE NO.	PR - 16200
REPLACES	X87868-SX

CHARACTERISTICS
OPERATING FORCE - - - -3.5 OZ MAX
RELEASE FORCE - - - - .75 OZ MIN
DIFFERENTIAL TRAVEL - .00056 - .00100
OVERTRAVEL - - - - .004 MIN

ELECTRICAL DATA
CONTACT ARRANGEMENT SPDT
APPROVALS
UL, CSA 3A, 250 VAC BRAND L122

DESIGN UNITS: INCH
TOLERANCES UNLESS NOTED:
NO PLACE X ±
ONE PLACE .X ±
TWO PLACE .XX ±
THREE PLACE .XXX ±
FOUR PLACE .XXXX ±
ANGLES ±
THIRD ANGLE PROJECTION

DRAWN	VK	05 MAR 08
CHECK	RJ	05 MAR 08
THIS DRAWING COVERS A PROPRIETARY ITEM AND IS THE PROPERTY OF HONEYWELL. THIS DRAWING IS NOT TO BE COPIED OR USED WITHOUT THE PERMISSION OF HONEYWELL.		
INTERPRET PER ANSI Y14.5M-1982 OTHER HONEYWELL ENGINEERING STANDARDS MAY APPLY		
RASTER		

Honeywell			
TITLE SWITCH - BASIC			
SIZE	TYPE	DRAWING NAME	REV
B	I	11SX48-H58	4
SCALE	-	WEIGHT .003 LB MAX	SHEET 1 OF 1