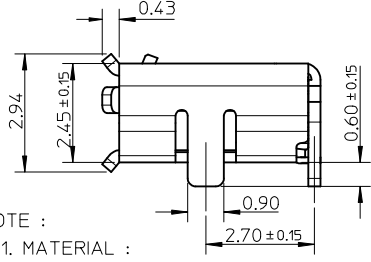
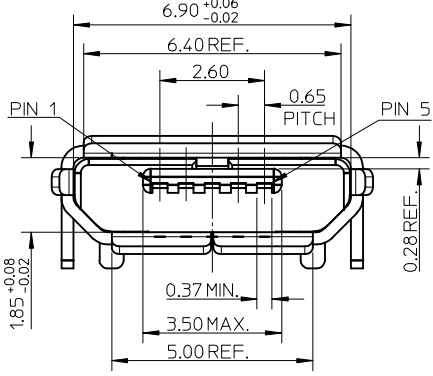
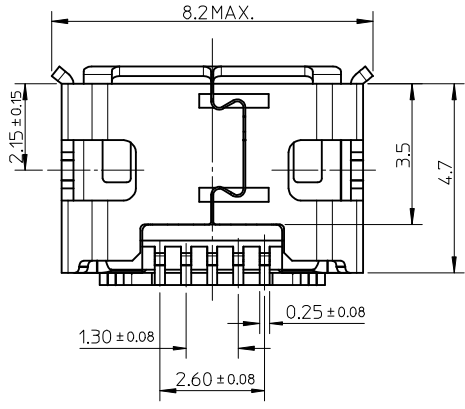
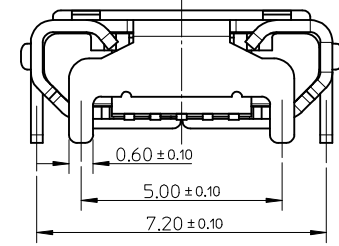


RECOMMENDED P.C.B. PATTERN LAYOUT  
0.8mm ≤ THICKNESS ≤ 1.2mm



NOTE :

- MATERIAL :  
HOUSING : LCP.BLACK.UL94V-0  
TERMINAL : COPPER ALLOY THICKNESS = 0.15 MM  
SHIELD CASE : STAINLESS STEEL THICKNESS = 0.30 MM
- PLATING :  
TERMINAL: CONTACT AREA : GOLD FLASH OVER MINIMUM 0.75MICRON Pd/Ni.  
SOLDER TAIL AREA : GOLD FLASH.  
UNDER PLATING : NICKEL 2.0 MICRON MINIMUM.  
SHIELD : MATTE TIN 2.0 MICRON MINIMUM.  
UNDER PLATING : NICKEL 1.27 MICRON MINIMUM.
- TAIL & NAIL COPLANARITY 0.08 mm MAXIMUM.
- PRODUCT SPEC.: PS-105017-001, PACKAGE SPEC.: PK-105017-001
- COMPLIANT TO RoHS DIRECTIVE 2002/95/EC AND ELV DIRECTIVE 2000/53/EC.



<b>NEW RELEASE</b> EC NO: SH2009-0286 DRWN: CWTANG 2008/11/17 CHKD: XJSONG 2008/11/17 APPR: HWWANG 2008/12/02	QUALITY SYMBOLS = 0 = 0	GENERAL TOLERANCES (UNLESS SPECIFIED)		DIMENSION STYLE <b>MM ONLY</b>	SCALE <b>1:1</b>	DESIGN UNITS <b>METRIC</b>	THIRD ANGLE PROJECTION																										
		<table border="1"> <thead> <tr> <th></th> <th>mm</th> <th>INCH</th> </tr> </thead> <tbody> <tr> <td>4 PLACES</td> <td>± ---</td> <td>± ---</td> </tr> <tr> <td>3 PLACES</td> <td>± ---</td> <td>± ---</td> </tr> <tr> <td>2 PLACES</td> <td>± 0.25</td> <td>± ---</td> </tr> <tr> <td>1 PLACE</td> <td>± 0.25</td> <td>± ---</td> </tr> </tbody> </table>		mm	INCH	4 PLACES	± ---	± ---	3 PLACES	± ---	± ---	2 PLACES	± 0.25	± ---	1 PLACE	± 0.25	± ---	<table border="1"> <thead> <tr> <th>DRAWN BY</th> <th>DATE</th> <th>TITLE</th> </tr> </thead> <tbody> <tr> <td>XJSONG</td> <td>2008/01/23</td> <td rowspan="4"> <b>MICRO USB B REC.            BOTTOM MOUNT WITH            THROUGH HOLE TYPE</b> </td> </tr> <tr> <td>CHECKED BY</td> <td>DATE</td> </tr> <tr> <td>JTIAN</td> <td>2008/01/23</td> </tr> <tr> <td>APPROVED BY</td> <td>DATE</td> </tr> </tbody> </table>	DRAWN BY	DATE	TITLE	XJSONG	2008/01/23	<b>MICRO USB B REC.            BOTTOM MOUNT WITH            THROUGH HOLE TYPE</b>	CHECKED BY	DATE	JTIAN	2008/01/23	APPROVED BY	DATE	<b>MOLEX INCORPORATED</b>		
		mm	INCH																														
	4 PLACES	± ---	± ---																														
3 PLACES	± ---	± ---																															
2 PLACES	± 0.25	± ---																															
1 PLACE	± 0.25	± ---																															
DRAWN BY	DATE	TITLE																															
XJSONG	2008/01/23	<b>MICRO USB B REC.            BOTTOM MOUNT WITH            THROUGH HOLE TYPE</b>																															
CHECKED BY	DATE																																
JTIAN	2008/01/23																																
APPROVED BY	DATE																																
	ANGULAR ± 3 °	MATERIAL NO. <b>105017-0001</b>	DOCUMENT NO. <b>SD-105017-001</b>	SHEET NO. <b>1 OF 1</b>																													
	DRAFT WHERE APPLICABLE MUST REMAIN WITHIN DIMENSIONS	SIZE <b>A3</b>	THIS DRAWING CONTAINS INFORMATION THAT IS PROPRIETARY TO MOLEX INCORPORATED AND SHOULD NOT BE USED WITHOUT WRITTEN PERMISSION																														