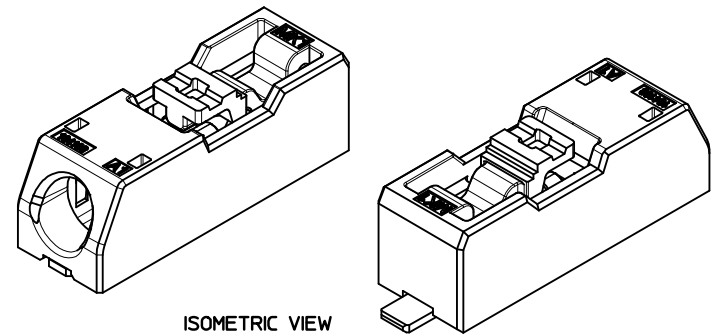
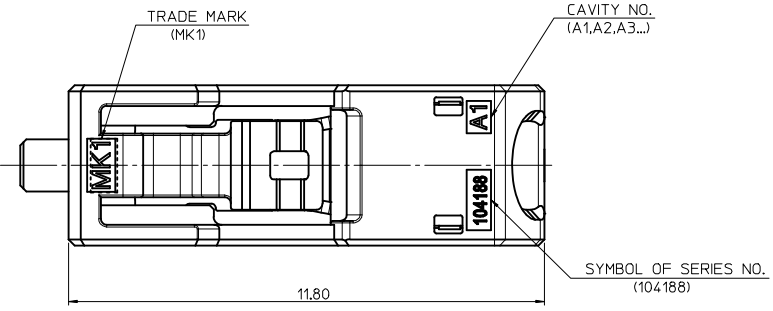
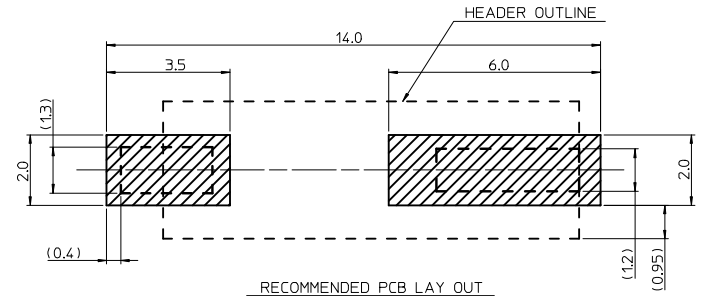


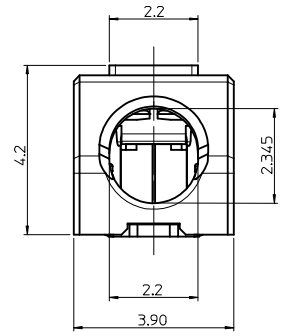
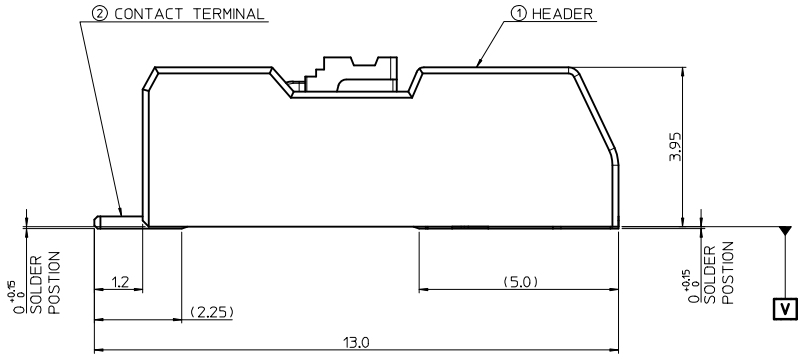
10 9 8 7 6 5 4 3 2 1



ISOMETRIC VIEW



RECOMMENDED PCB LAY OUT
[GENERAL TOLERANCE : +0.05]

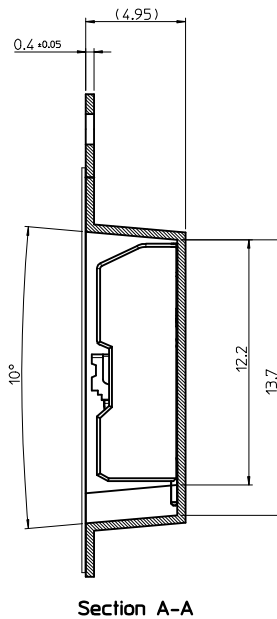
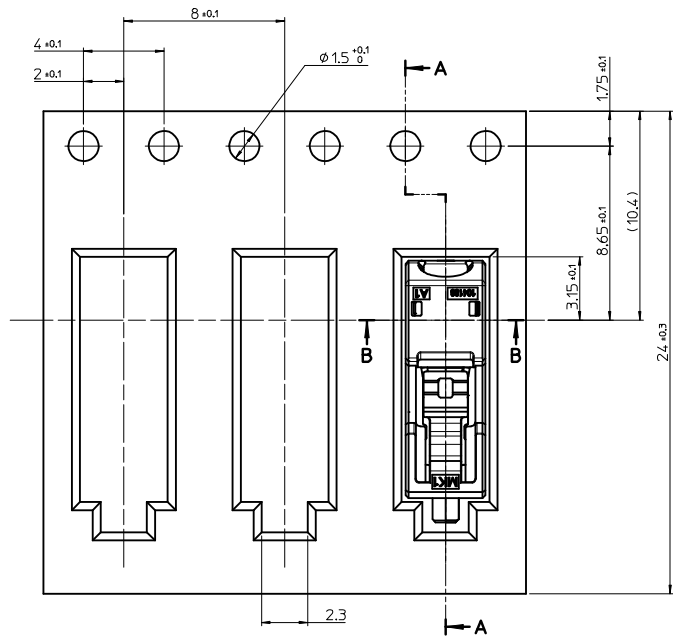


- NOTE
- MATERIAL
 - HEADER : LIQUID CRYSTAL POLYMER(LCP) UL94V-0, HALOGEN FREE, COLOR OF NATURAL
 - CONTACT TERMINAL : COPPER-ALLOY, 0.3mm THICKNESS
 - PLATING
 - CONTACT TERMINAL : PRE-TIN PLATED 1.04μm MINIMUM TIN PLATING
 - PRODUCT SPECIFICATION : PS-104188-001
 - PACKAGING SPECIFICATION : PK-104188-001
 - COPLANALITY OF SOLDER TAILS (PEAK TEMP. : 260°C), BEFORE & AFTER REFLOW : 0.08 MAX.
 - APPLICABLE WIRE RANGE : (OUTSIDE WIRE INSULATION : 2.1mm DIAMETER MAX.)
 - SOLID WIRE : AWG #24~#18
 - STRAND WIRE : AWG #22~#20

9 8 7 6 5 4 3 2 1

PRELIMINARY REVISED EC NO: KOR2014-0075 DRWN: JSSHIN 2013/12/24 CHKD: SHCHU 2013/12/24 APPR: YSK1M02 2013/12/24	QUALITY SYMBOLS ▽=0 ◻=0	GENERAL TOLERANCES (UNLESS SPECIFIED)		DIMENSION STYLE MM ONLY		SCALE 8:1	DESIGN UNITS METRIC	THIRD ANGLE PROJECTION		
			mm	INCH	DRAWN BY	DATE	TITLE			
		4 PLACES	± ---	± ---	JSSHIN	2013/03/11	LITE-TRAP™ SMT CONNECTOR, 1 CIRCUIT			
		3 PLACES	± ---	± ---	CHECKED BY	DATE				
	2 PLACES	± 0.15	± ---	SHCHU	2013/03/11	molex				
	1 PLACE	± 0.20	± ---	APPROVED BY	DATE					
	0 PLACE	± ---	± ---	YSK1M02	2013/12/24	MATERIAL NO. 1041880110		DOCUMENT NO. SD-104188-001		
A	REV	DRAFT WHERE APPLICABLE MUST REMAIN WITHIN DIMENSIONS		SIZE A3		SHEET NO. 1 OF 1				

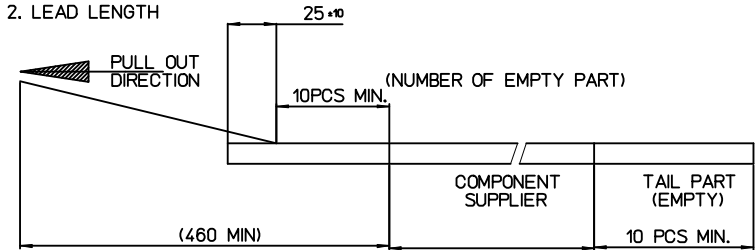
THIS DRAWING CONTAINS INFORMATION THAT IS PROPRIETARY TO MOLEX INCORPORATED AND SHOULD NOT BE USED WITHOUT WRITTEN PERMISSION



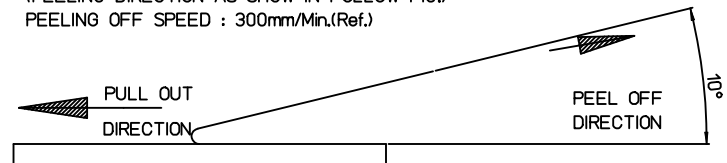
NOTES

1. QUANTITY OF CONNECTORS : 2,500 PCS/REEL

2. LEAD LENGTH



3. PEELING OFF FORCE OF COVER TAPE : 0.1N~0.59N(10.20F~60GF)
(PEELING DIRECTION AS SHOW IN FOLLOW FIG.)
PEELING OFF SPEED : 300mm/Min.(Ref.)

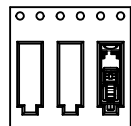


4. FLASH IN ANY PORTION SHOULD BE LESS THAN 0.20mm MAX.

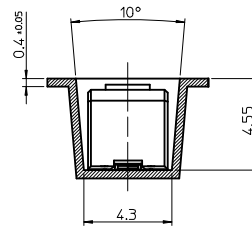
5. UNLESS OTHERWISE SPECIFIED INNER R0.2 MAX

[TABLE]

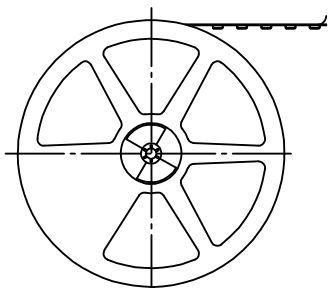
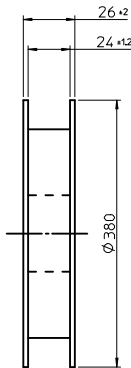
1041880110	104188-0110	NATURAL	24.0mm	104188-9001
MATERIAL NO.	NO.	COLOR	TAPE WIDTH	EMBOSS TAPE
	CONNECTOR			



PULL OUT DIRECTION



Section B-B



PLASTIC BOBBIN

ENTER DESCRIPTION EC NO: KOR2014-0075 DRWN: JSSHIN 2013/12/21 CHKD: SHCHU 2013/12/21 APPR: YSKIM02 2013/12/24	QUALITY SYMBOLS ▽=0 ∇=0	GENERAL TOLERANCES (UNLESS SPECIFIED)		DIMENSION STYLE	SCALE	DESIGN UNITS	THIRD ANGLE PROJECTION	
		mm	INCH	MM ONLY	4/1	METRIC		
		4 PLACES	± ---	± ---	DRAWN BY	DATE		TITLE
		3 PLACES	± ---	± ---	JSSHIN	2013/03/12		S-POKE CONN. -1P LITE-TRAP™ SMT CONN 1CKT EMBOSSD PACKAGE
2 PLACES	± 0.20	± ---	CHECKED BY	DATE				
1 PLACE	± 0.20	± ---	SHCHU	2013/03/12				
0 PLACE	± ---	± ---	APPROVED BY	DATE				
			YSKIM02	2013/12/24				
		ANGULAR ± 3 °	MATERIAL NO.	DOCUMENT NO.				
		DRAFT WHERE APPLICABLE MUST REMAIN WITHIN DIMENSIONS	1041880110	SD-104188-002				
			SIZE A3	THIS DRAWING CONTAINS INFORMATION THAT IS PROPRIETARY TO MOLEX INCORPORATED AND SHOULD NOT BE USED WITHOUT WRITTEN PERMISSION				