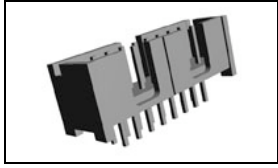


103308-1 Product Details



103308-1

TE Internal Number: 103308-1



AMP-LATCH Pin and Pinless Headers

 5 of 6 EU RoHS/ELV Compliant ([Find RoHS Compliant Alternates/Statement of Compliance](#))

Product Highlights:

- Header
- Header Type = Pin Header
- AMP-LATCH Product Line
- Low Profile
- 10 Positions

Documentation & Additional Information

Product Drawings:

- [HEADER ASSY, LOW PROFILE, AMP-LATCH](#) (PDF, English)

Catalog Pages/Data Sheets:

- None Available

Product Specifications:

- None Available

Application Specifications:

- None Available

Instruction Sheets:

- None Available

CAD Files: ([CAD Format & Compression Information](#))

- [2D Drawing](#) (DXF, Version L)
- [3D Model](#) (IGES, Version L)
- [3D Model](#) (STEP, Version L)

Additional Information:

- [Product Line Information](#)

Related Products:

- [Tooling](#)
- [Mating Products \(1\)](#)

Product Features (Please use the Product Drawing for all design activity)

Product Type Features:

- Connector Type = Header
- Product Line = AMP-LATCH
- Profile = Low
- [PCB Mounting Orientation](#) = Vertical
- [PCB Mount Retention](#) = Without
- [Mating Connector Lock](#) = Without
- [Ejection Latches](#) = Without
- Post Size (mm [in]) = 0.64 [.025]
- Shrouded = Yes

Electrical Characteristics:

- Current Rating (A) = 1
- Insulation Resistance (MΩ) = 5,000

Termination Features:

- [Termination Post Length](#) (mm [in]) = 3.05 [0.120]
- Solder Tail Contact Plating = Tin-Lead over Nickel

Dimensions:

- [Shrouded] End Dimension (mm [in]) = 3.81 [0.150]

Body Features:

- Header Type = Pin Header
- Daisy Chain = With

Contact Features:

- [Contact Plating, Mating Area, Material](#) = Gold (15), Gold Flash over Palladium Nickel
- Contact Shape = Square
- Contact Base Material = Copper Alloy

Housing Features:

- [Centerline, Matrix](#) (mm [in]) = 2.54 x 2.54 [.100 x .100]
- [Mating Alignment Type](#) = Center, Dual Polarizing Bar
- [Housing Style](#) = 4-Sided
- Mating Alignment = With
- Housing Material = Thermoplastic - GF
- UL Flammability Rating = UL 94V-0
- Housing Color = Black

Configuration Features:

- [Number of Positions](#) = 10

Industry Standards:

- [RoHS/ELV Compliance](#) = ELV compliant, 5 of 6 Compliant
- [Lead Free Solder Processes](#) = Not suitable for lead free processing
- Approved Standards = UL E28476, CSA LR7189

Environmental:

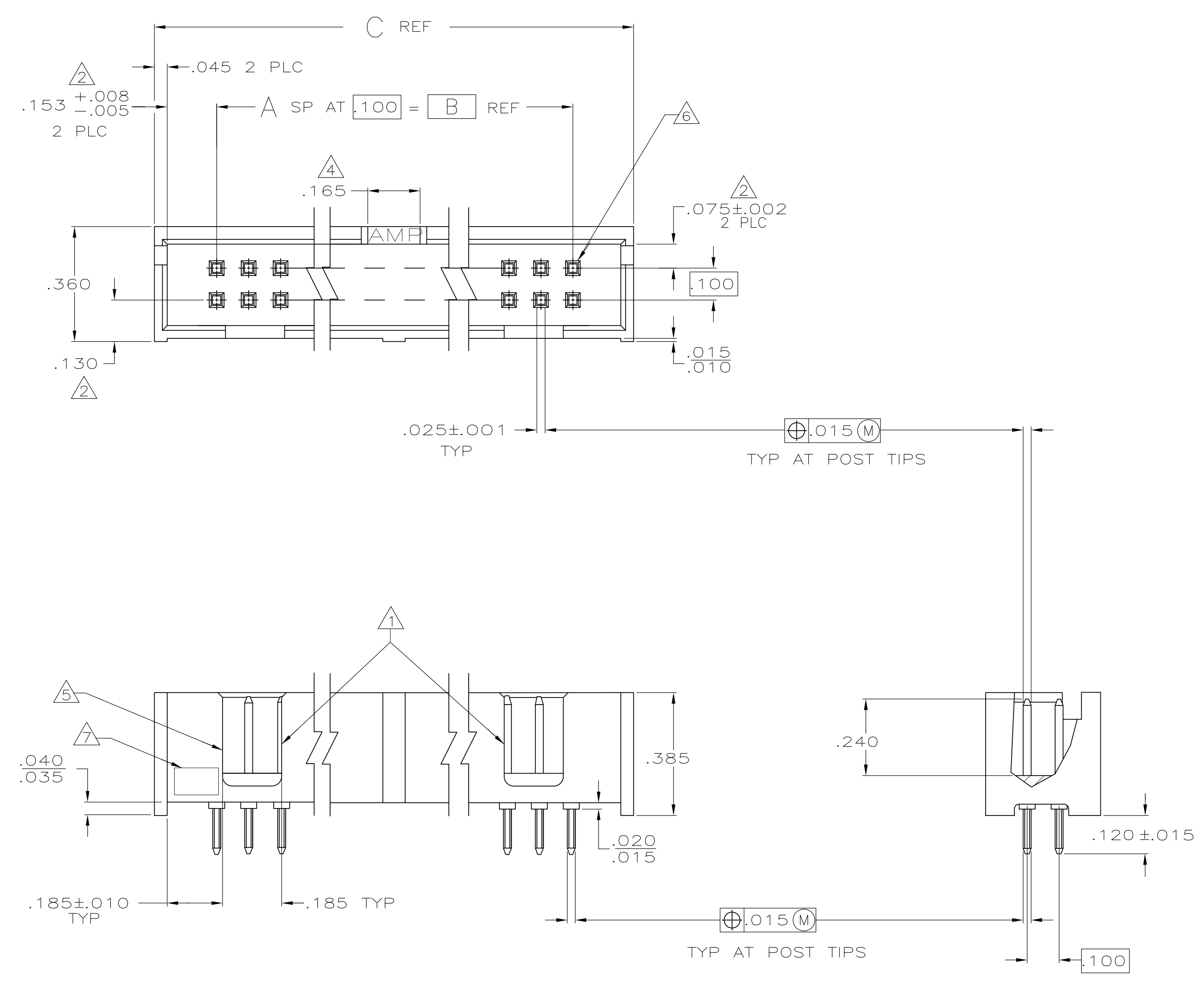
- Operating Temperature (°C) = -65 – +105

Conditions for Usage:

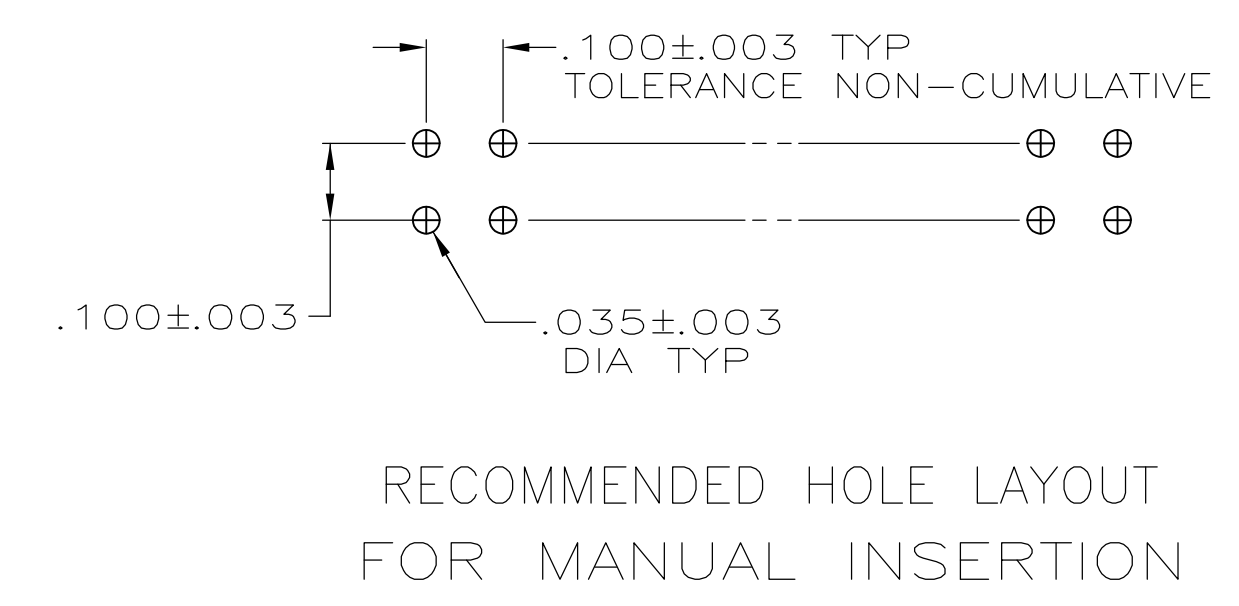
- [Temperature Rating](#) = Standard

Other:

- Brand = AMP



- 1 DOUBLE BAR POLARIZATION
- 2 THE NOTED DIMENSIONS APPLY AT THE INTERSECTION OF THE POST AND HOUSING
- 3 POSTS: GOLD FLASH OVER PALLADIUM-NICKEL PLATE, .000015 MIN TOTAL ON THE MATING SURFACES, .000100 MIN TIN-LEAD PLATE ON THE SOLDER-TAILS, .000050 MIN NICKEL UNDERPLATE ON THE ENTIRE POST.
-OR-
.000015 MIN GOLD PLATE ON THE MATING SURFACES, .000100 MIN TIN-LEAD PLATE ON THE SOLDER-TAILS, .000050 MIN NICKEL UNDERPLATE ON THE ENTIRE POST.
- 4 CENTER POLARIZATION SLOT
- 5 FOR 10 POSN ASSEMBLY, SLOT OMITTED WHERE INDICATED
- 6 NUMBER 1 POSITION.
- OPTIONAL AMP IDENTIFICATION NUMBER (DATE CODE). LOCATION APPROXIMATELY WHERE SHOWN.



	1.500	1.100	11	24	1-103308-3
	3.300	2.900	29	60	1-103308-2
OBsolete	3.100	2.700	27	56	1-103308-1
	2.800	2.400	24	50	1-103308-0
OBsolete	2.500	2.100	21	44	103308-9
	2.300	1.900	19	40	103308-8
	2.000	1.600	16	34	103308-7
	1.600	1.200	12	26	103308-6
	1.300	.900	9	20	103308-5
OBsolete	1.200	.800	8	18	103308-4
	1.100	.700	7	16	103308-3
	1.000	.600	6	14	103308-2
	.800	.400	4	10	103308-1
	C	B	A	NO OF POSN	ASSEMBLY PART NUMBER

THIS DRAWING IS A CONTROLLED DOCUMENT.

DIMENSIONS: INCHES	TOLERANCES UNLESS OTHERWISE SPECIFIED:	DIN H. MOLL 8-27-87	CHK L. MEYER 9-03-87	APVD R. FEJDT 9-03-87	NAME		
0 PLC ± -	1 PLC ± -	TE Connectivity HEADER ASSY, LOW PROFILE, AMP-LATCH PRODUCT SPEC 108-40018 APPLICATION SPEC			SIZE		
2 PLC ± -	3 PLC ± .005				CAGE CODE	DRAWING NO	RESTRICTED TO
4 PLC ± -	ANGLES ± -				WEIGHT	A1 00779	103308
FINISH					CUSTOMER DRAWING	SCALE 4:1	SHEET 1 OF 1

MATERIAL: HOUSING: GLASS FILLED NYLON OR PBT, BLACK; POSTS: BRASS.