


**10118192-0001LF - MICRO  
USB : B TYPE RECEPTACLE**



[www.fci.com](http://www.fci.com)

**Mating Half**

 10104109-0001LF

**Specifications**

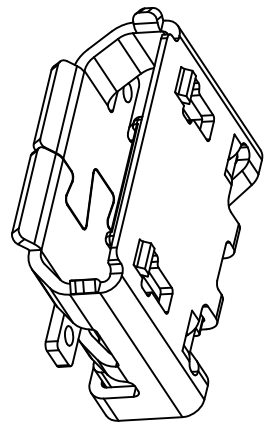
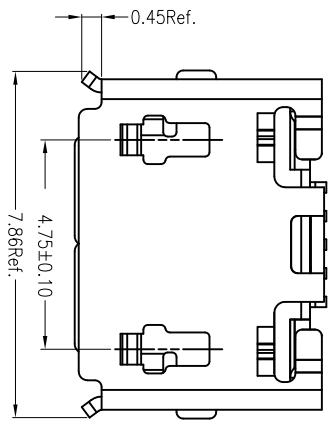
<b>General</b>	
Number of contacts	5
Orientation	Right Angle
Product Type	Receptacle
Style	B Type
Series Number	10118192
Single or Dual Stack	Single
<b>Electrical</b>	
Current rating	1.8A per contact
Resistance (Contact)	After test delta: 10 m-ohms Max. change Initial: 30 m-ohms Max.
Resistance (Insulation)	After test: 100 M-ohms Min. Initial: 1000 M-ohms Min.
Voltage rating	100V AC
<b>Mechanical</b>	
Durability (Mating cycles)	10000 Cycles
Insertion force	35N max.
Extraction force (Signal)	8N min.
<b>Mounting</b>	
Mounting style	Surface Mount Type
<b>Physical</b>	
Color (Housing)	Black
Material (Housing)	LCP, UL 94V-0
Plating (Contact area)	30u" Gold over 50u" Nickel
Plating (Shield)	80u" matte Tin
Plating (Solder area)	Gold Flash
<b>Other Features</b>	
Packaging (Options)	Tape and Reel

PART NUMBER  
10118192-0001LF

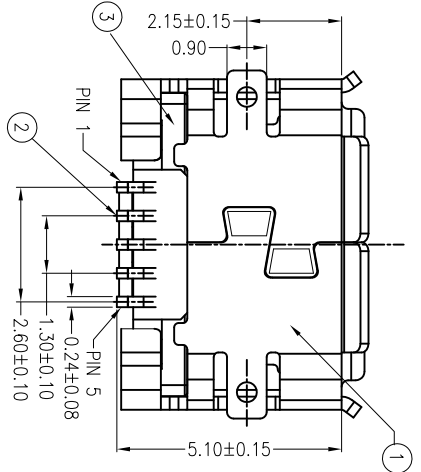
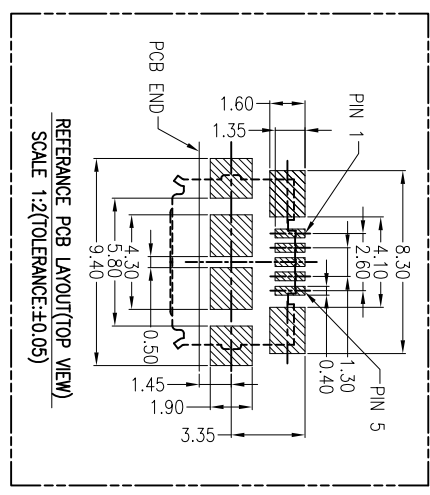
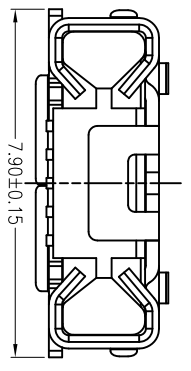
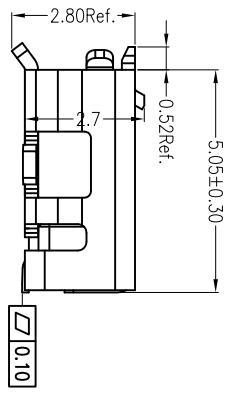
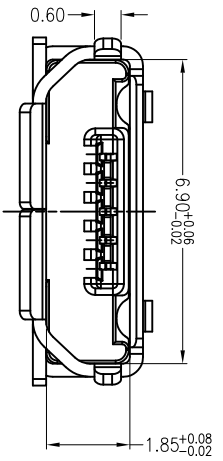
1 2

3

4



- NOTES:
- MATERIAL:  
HOUSING: HIGH THERMOPLASTIC RESIN, UL94V-0, COLOR: BLACK  
TERMINAL: COPPER ALLOY  
SHELL: STAINLESS
  - FINISH:  
CONTACT AREA: GOLD PLATED  
CONTACT SOLDER AREA: GOLD FLASH  
SHELL: MATTE TIN PLATED  
UNDER NICKEL PLATED ALL OVER.
  - PRODUCT SPECIFICATION: GS-12-641.
  - PACKAGING SPECIFICATION: GS-14-2180.
  - THE "LF" MEANS FOR LEAD FREE AND CAN WITHSTAND EXPOSE TO 260°C PEAK TEMPERATURE FOR 10 SECONDS IN IR REFLOW PROCESS.



Item	Title	QTY
1	Shell	1
2	Terminal	5
3	InsertMolding	1

mat'l. code		surface		tolerance		projection		product family	
lfr	ecm no	dr	date	ASME Y14.5	ASME Y14.5	ASME Y14.5	ASME Y14.5	title	USB
A	LS	10/21/11		tolerances unless otherwise specified				MICRO USB B TYPE RECEPTACLE	
				angles	g	.X±0.38	MM		
				X°±2°	g	.XX±0.25	scale		
				dr	JASON HSU	05/21/11			
				engr	JASON HSU	05/21/11			
				chr	JASON HSU	05/21/11			
				appd	GARY HSEH	05/21/11			
Sheet Index	revision	A							
	Sheet	1							



dwg no  
10118192

sheet 1 of 1  
size  
A4

CUSTOMER Drawing