

10103594-0001LF - MICRO
USB : B TYPE RECEPTACLE



ACTIVE



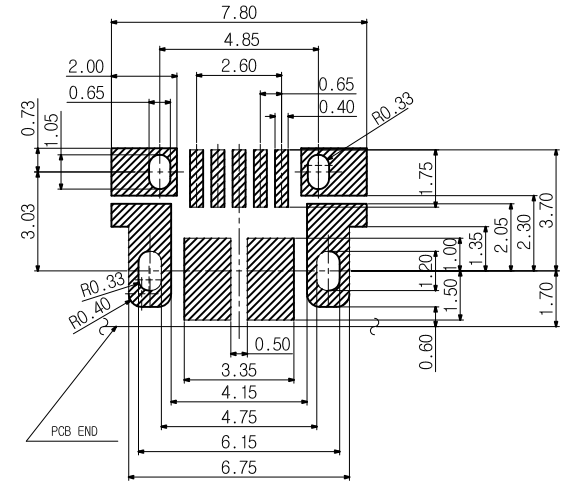
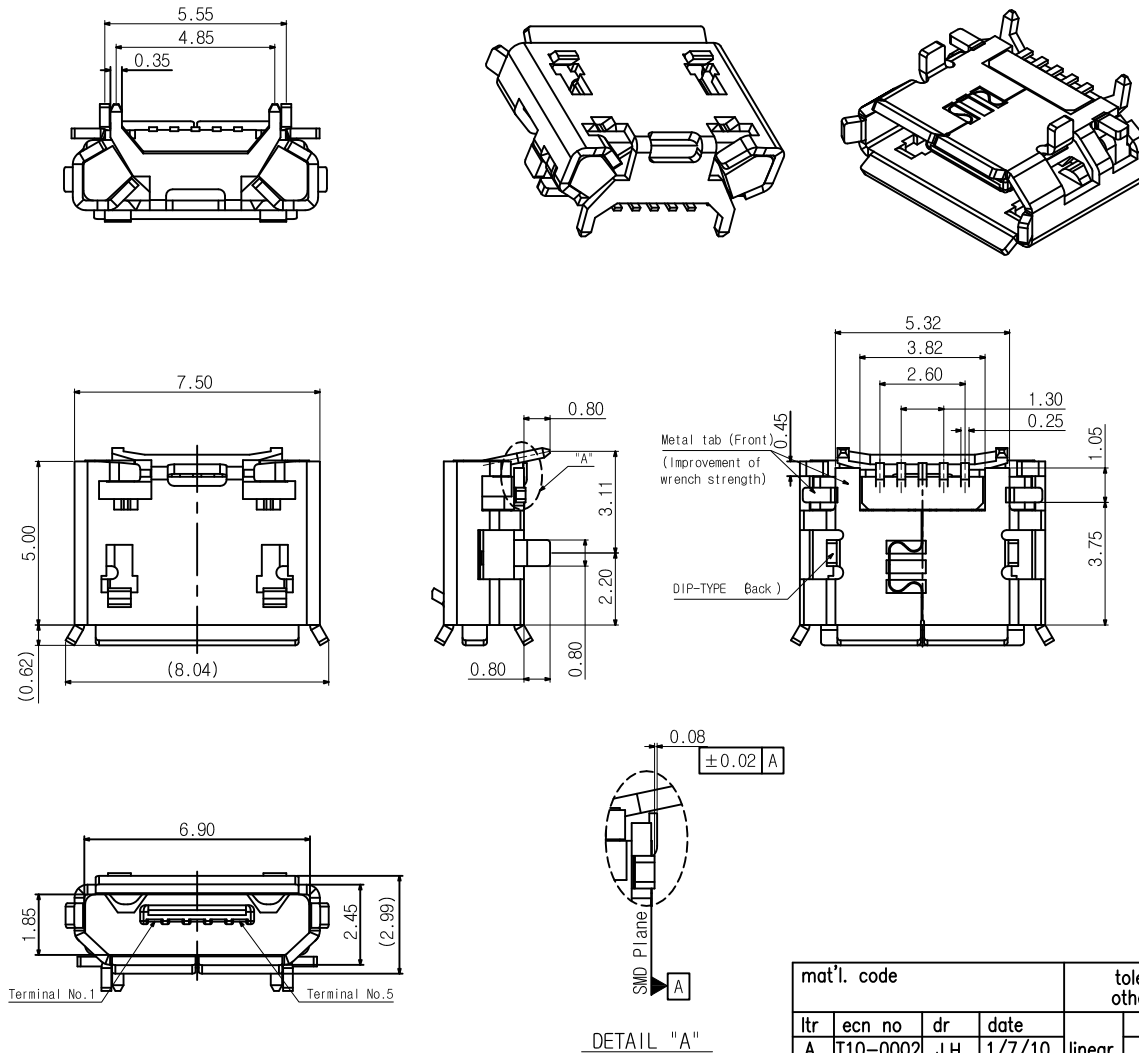
www.fci.com

Mating Half

10104109-0001LF

Specifications

General	
Number of contacts	5
Orientation	Right Angle
Product Type	Receptacle
Style	B Type
Series Number	10103594
Single or Dual Stack	Single
Electrical	
Current rating	1.8A per contact
Resistance (Contact)	After test delta: 10 m-ohms Max. change Initial: 30 m-ohms Max.
Resistance (Insulation)	After test: 100 M-ohms Min. Initial: 1000 M-ohms Min.
Voltage rating	100V AC
Mechanical	
Durability (Mating cycles)	10000 Cycles
Insertion force	35N max.
Extraction force (Signal)	8N min.
Mounting	
Mounting style	Surface Mount Type
Physical	
Color (Housing)	Black
Material (Housing)	LCP, UL 94V-0
Plating (Contact area)	30u" Gold over 50u" Nickel
Plating (Shield)	80u" matte Tin over 50u" Ni
Plating (Solder area)	Gold Flash
Other Features	
Packaging (Options)	Tape and Reel



RECOMMENDED PCB Pattern

(Tolerance : ±0.05)

-NOTE-

1. This product is enable to mount both USB-IF Recommended PCB pattern and NEW USB-IF Recommended PCB Pattern
2. Coplanarity : The dimension between flat tool and when connector put on the flat tool like PCB botton of soldering terminals
Signal terminal / Metal (front) : Max 0.08 mm
3. PRODUCT NUMBERING
10103594 - 0001 LF

No.	Part Name	Material	Finish	Remarks
1	Socket Housing	Thermoplastic	(Black)	
2	Socket Contact Ter	Copper Alloy	Au over Ni	
3	Socket Shield	Stainless Steel	Sn over Ni	
4	Socket Plate	Stainless Steel		

mat'l. code				tolerances unless otherwise specified			CUSTOMER COPY		FCI	
ltr	ecn no	dr	date	linear	.X ± 0.38		projection	www.fciconnect.com		
A	T10-0002	J.H	1/7/10		.XX ± 0.25			title		
					.XXX ± 0.15			MICRO-USB B-TYPE RECEP.		
				angles	0° ±2°		MM	product family USB		
				dr	JASON HSU	1/7/10		size		
				engr	JASON HSU	1/7/10		dwg no		
				chr	GARY HSIEH	1/7/10	scale	A4		
				appd	JOSEPH HSIA	1/7/10		10103594		
sheet index	revision sheet	A	1							