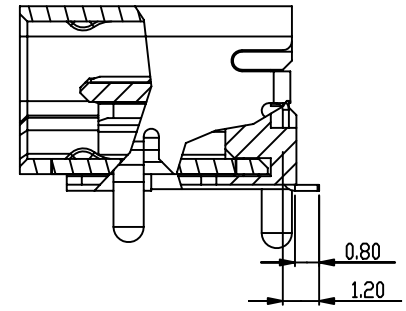
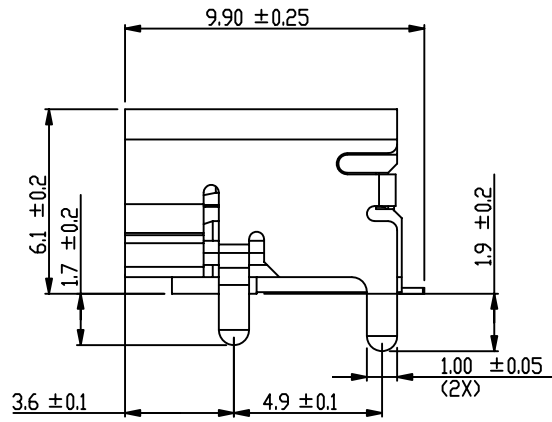
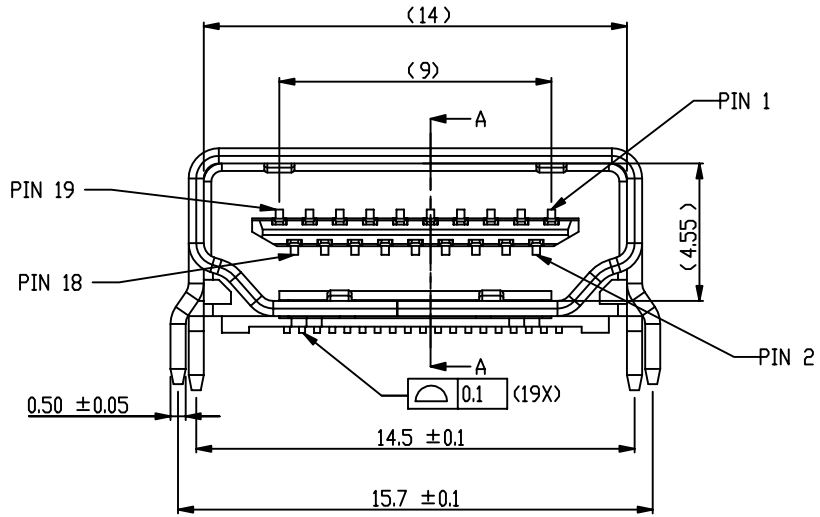
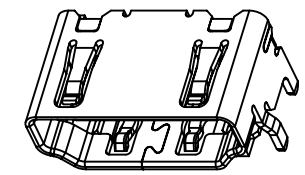
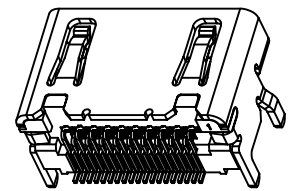
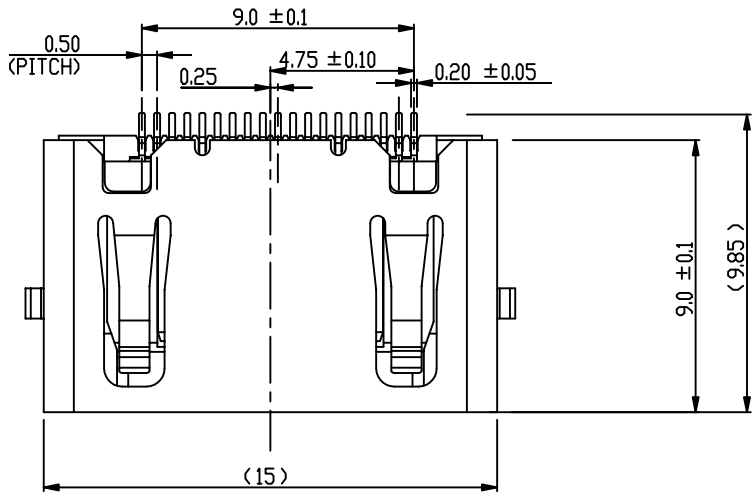


PRODUCT NO.
10029449-X01XLF



SECTION A-A

Mark with
10029449-001
REV. 1
in area indicated
by X....

rev	ecn no	dr	date
B	T05-0193	LS	09/07/05
C	T05-0279	LS	12/12/05
D	T05-0301	LS	12/29/05
E	T06-0033	LS	02/23/06
F	T06-0048	LS	03/20/06
G	N06-0210	LDNG	11/20/06
H	N06-0322	LDNG	12/27/06

GENERAL TOLERANCE	
DIMENSION	ANGLE
.±0.8	X°±
.x±0.4	X°±
.xx±0.1	

FCJ www.fciconnect.com		tolerance	projection	
Dr	LEIF SHEN	10/15/04	Product family	
Eng	LEIF SHEN	10/15/04	Spec ref	*
Chr	PAUL WANG	10/15/04	Material	SEE NOTES
Appr	JOSEPH HSIA	10/15/04	ECN	T06-0061
title			10029449	Rev. H
catalog no			* CUSTOMER	sheet 1 of 8

Tous droits strictement reserves. Reproduction ou communication a des tiers interdite sous quelque forme que ce soit sans autorisation ecrite du proprietaire. Propriete de c FCI. Droits de reproduction FCI.



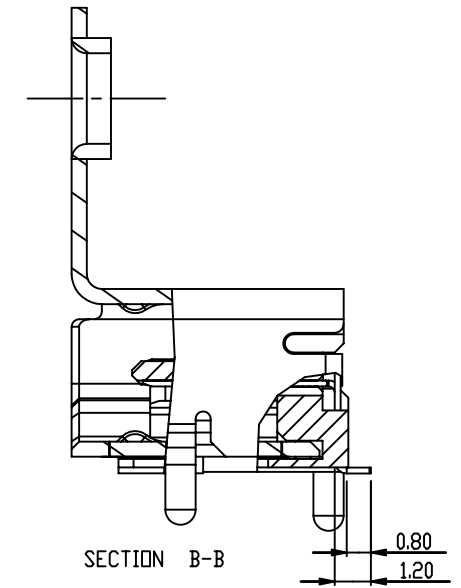
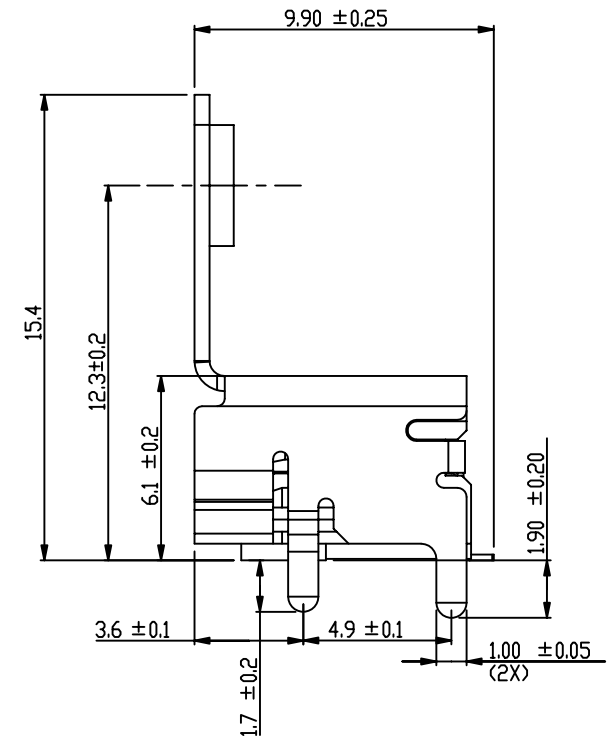
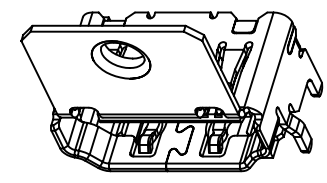
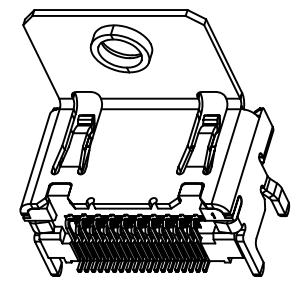
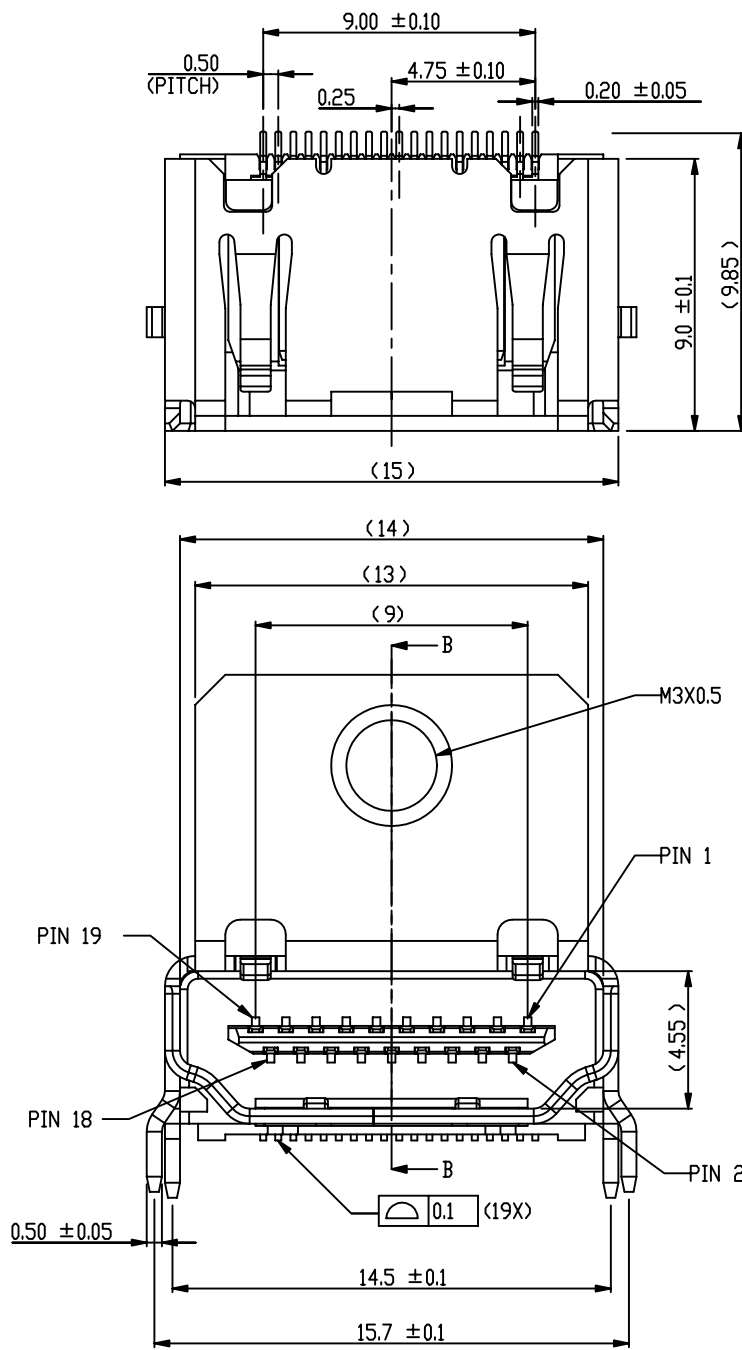
All rights strictly reserved. Reproduction or issue to third parties in any form whatever is not permitted without written authority from the proprietor. Property of FCI. Copyright FCI.



All rights strictly reserved. Reproduction or issue to third parties in any form whatever is not permitted without written authority from the proprietor.
Property of FCI. Copyright FCI.

Tous droits strictement reserves. Reproduction ou communication a des tiers interdite sous quelque forme que ce soit sans autorisation écrite du propriétaire.
Propriete de c FCI. Droits de reproduction FCI.

PRODUCT NO.
10029449-X02XLF



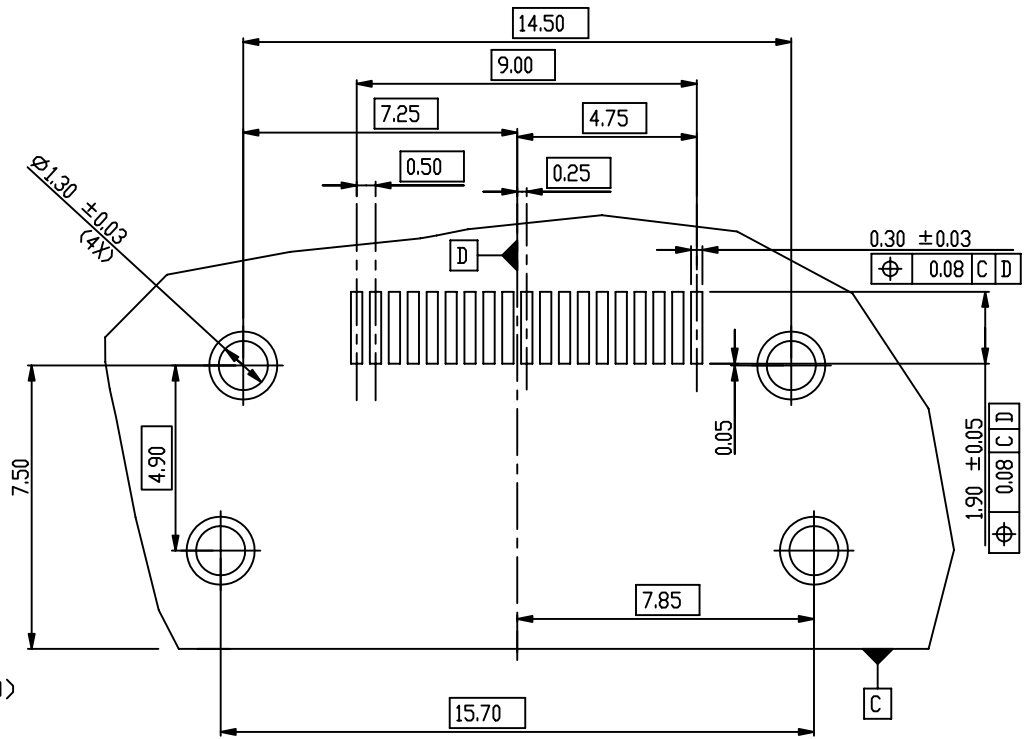
title	HDMI TYPE A RECEPTACLE	dwg no	10029449	Rev.	H
catalog no	HDMI	* CUSTOMER	sheet 2 of 8		

Tous droits strictement reserves. Reproduction ou communication a des tiers interdite sous quelque forme que ce soit sans autorisation écrite du propriétaire. Propriete de c FCI. Droits de reproduction FCI.



All rights strictly reserved. Reproduction or issue to third parties in any form whatever is not permitted without written authority from the proprietor. Property of FCI. Copyright FCI.

PRODUCT NO.
10029449-X01XLF
10029449-X02XLF



RECOMMENDED PCB PATTERN LAYOUT
(t=1.6mm)

NOTES:

- 1.MATERIAL
 - 1-1 HOUSING: GLASS FIBER HIGH-TEMP. RESIN.(UL94V-0)
 - 1-2 CONTACT: COPPER ALLOY
 - 1-3 SHELL : COPPER ALLOY
- 2 FINISH
 - 2-1 CONTCT : Ni UNDER PLATED ALL OVER
CONTACT AREA 30u" Au MIN. OR 15u" GXT MIN.
 - 2-2 SHELL : Ni 2.54 MICRONS MIN.
- 3 PACKAGING:
 - PACKAGING SPECIFICATION GS-14-939.
- 4.RoHS STANDARD SPECIFICATION ACCORDING TO FCI GS-22-008.
- 5.PRODUCT P/N DEFINITION:

10029449-X	XX	X	LF
------------	----	---	----

BASE PRODUCT NUMBER _____

TERMINAL CONTACT AREA PLATING OPTION _____

 0 - 30u" GOLD;

 1 - 15u" GXT

SHELL OPTION _____

 01 - THROUGH HOLE, NO FLANGE;

 02 - THROUGH HOLE, WITH FLANGE

PACKAGING OPTION _____

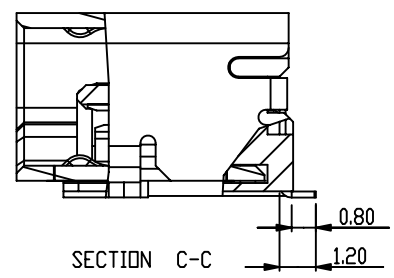
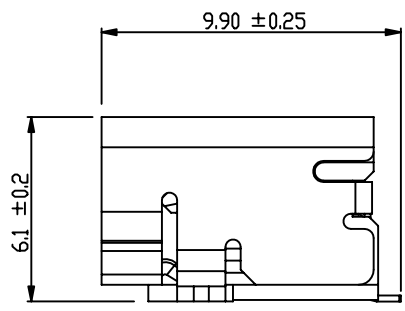
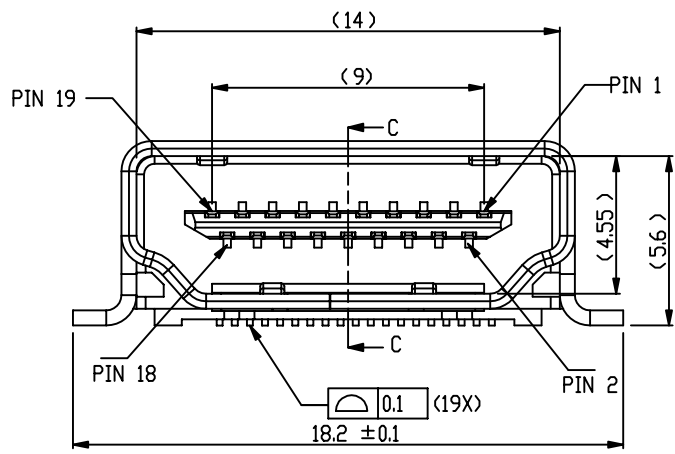
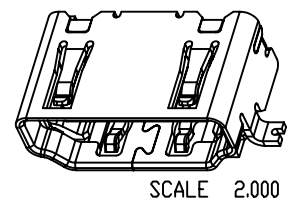
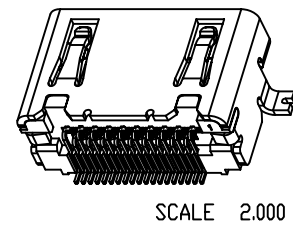
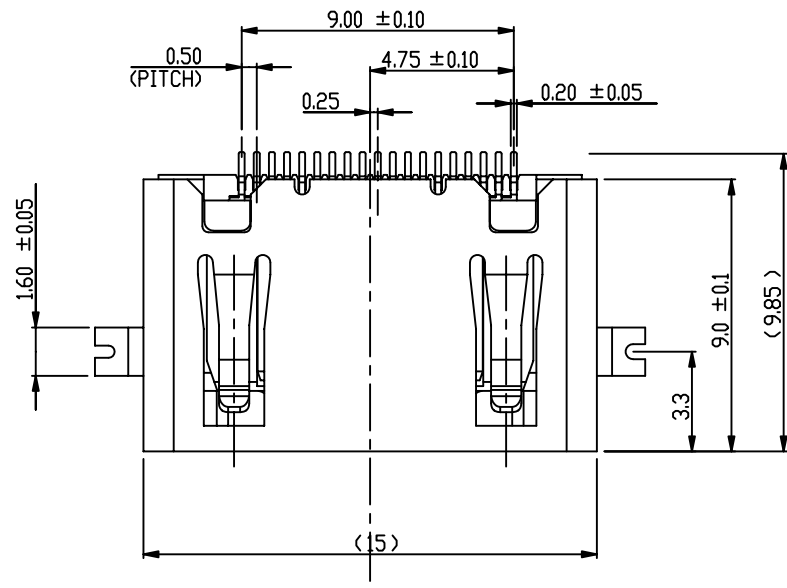
 R - TAPE & REEL

 T - TRAY

LEAD FREE MARK _____

title	HDMI TYPE A RECEPTACLE	dwg no	10029449	Rev.	H
	HDMI				
catalog no		*	CUSTOMER	sheet 3 of 8	

PRODUCT NO.
10029449-X03XLF

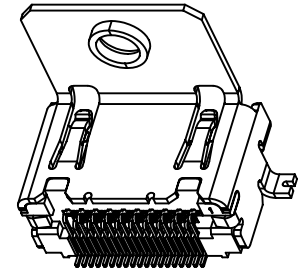
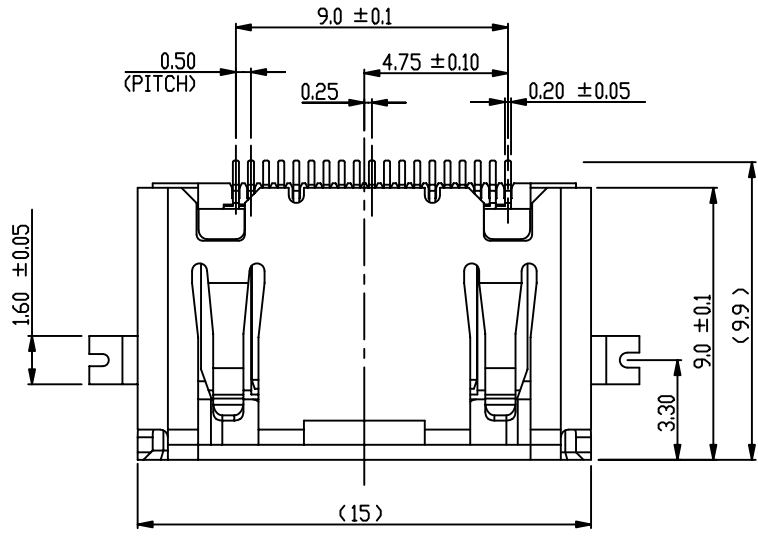


title	HDMI TYPE A RECEPTACLE		dwg no	10029449	Rev.	H
	HDMI			* CUSTOMER		sheet 4 of 8
catalog no						

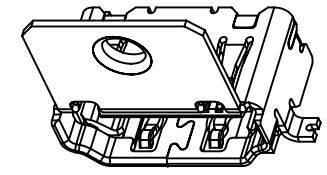
Tous droits strictement reserves. Reproduction ou communication a des tiers interdite sous quelque forme que ce soit sans autorisation ecrite du proprietaire. Propriete de c FCI. Droits de reproduction FCI.



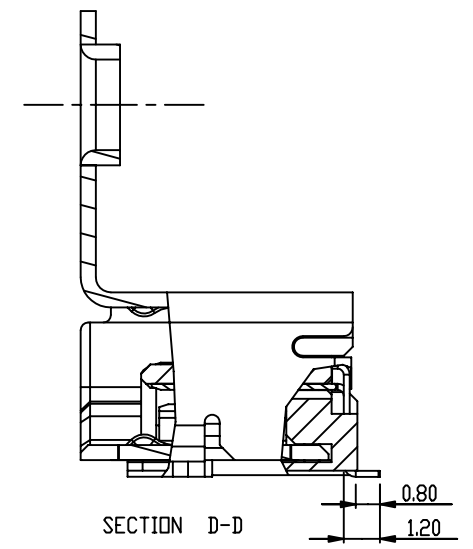
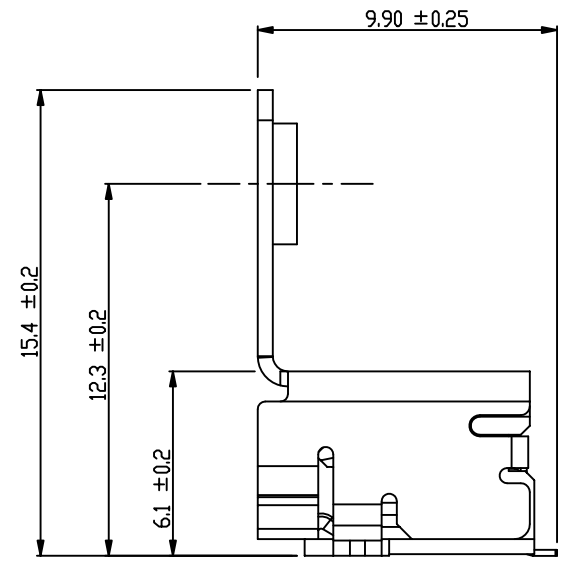
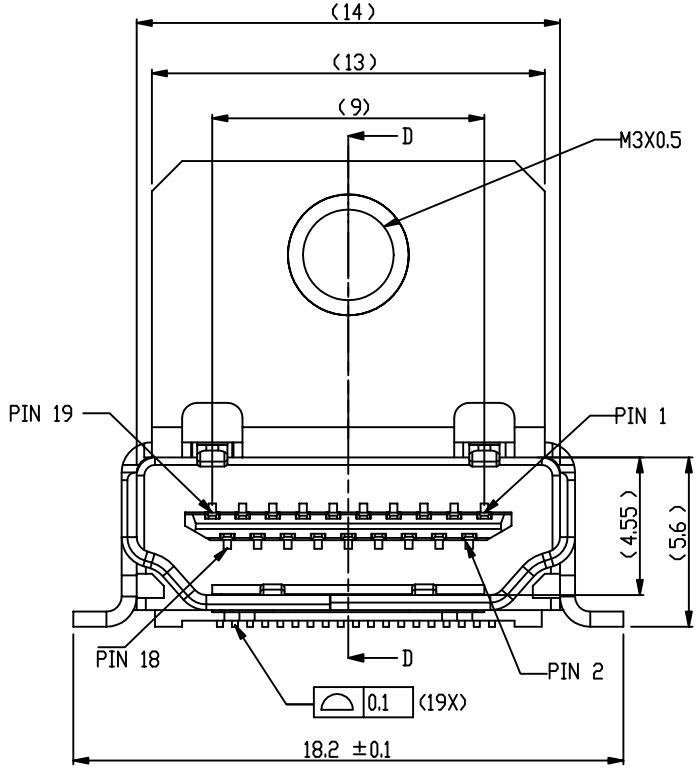
All rights strictly reserved. Reproduction or issue to third parties in any form whatever is not permitted without written authority from the proprietor. Property of FCI. Copyright FCI.



SCALE 2,000



SCALE 2,000



title	HDMI TYPE A RECEPTACLE		dwg no	10029449	Rev.	H
	HDMI			* CUSTOMER		sheet 5 of 8
catalog no						

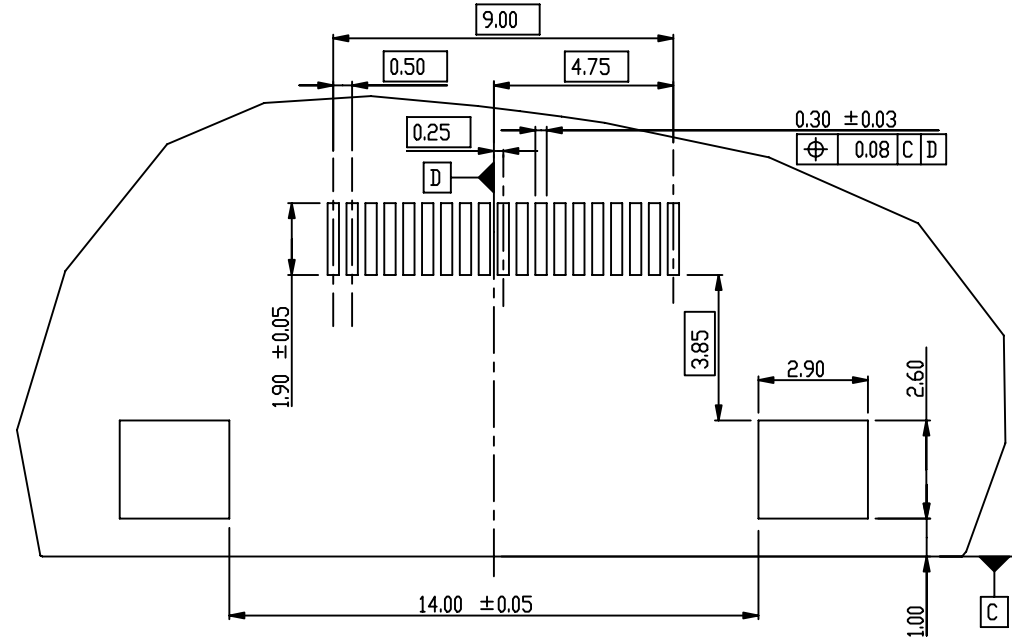
Tous droits strictement reserves. Reproduction ou communication a des tiers interdite sous quelque forme que ce soit sans autorisation écrite du propriétaire. Propriete de c FCI. Droits de reproduction FCI.



All rights strictly reserved. Reproduction or issue to third parties in any form whatever is not permitted without written authority from the proprietor. Property of FCI. Copyright FCI.

PRODUCT NO.
 10029449-X03XLF
 10029449-X04XLF

Tous droits strictement reserves. Reproduction ou communication a des tiers interdite sous quelque forme que ce soit sans autorisation ecrite du proprietaire. Propriete de c FCI. Droits de reproduction FCI.



NOTES:

1.MATERIAL

- 1-1 HOUSING: GLASS FIBER HIGH-TEMP. RESIN.(UL94V-0)
- 1-2 CONTACT: COPPER ALLOY
- 1-3 SHELL : COPPER ALLOY

2 FINISH

- 2-1 CONTCT : Ni UNDER PLATED ALL OVER
CONTACT AREA 30u" Au MIN. OR 15u" GXT MIN.
- 2-2 SHELL : Ni 2.54 MICRONS MIN.

3 PACKAGING:

PACKAGING SPECIFICATION GS-14-939.

4.RoHS STANDARD SPECIFICATION ACCORDING TO FCI GS-22-008.

5.PRODUCT P/N DEFINITION: 10029449-X XX X LF

BASE PRODUCT NUMBER _____
 TERMINAL CONTACT AREA PLATING OPTION _____
 0 - 30u" GOLD;
 1 - 15u" GXT
 SHELL OPTION _____
 03 - SMT TYPE, NO FLANGE;
 04 - SMT TYPE, WITH FLANGE
 PACKAGING OPTION _____
 R - TAPE & REEL
 T - TRAY
 LEAD FREE MARK _____

RECOMMENDED SMT PCB PATTERN LAYOUT



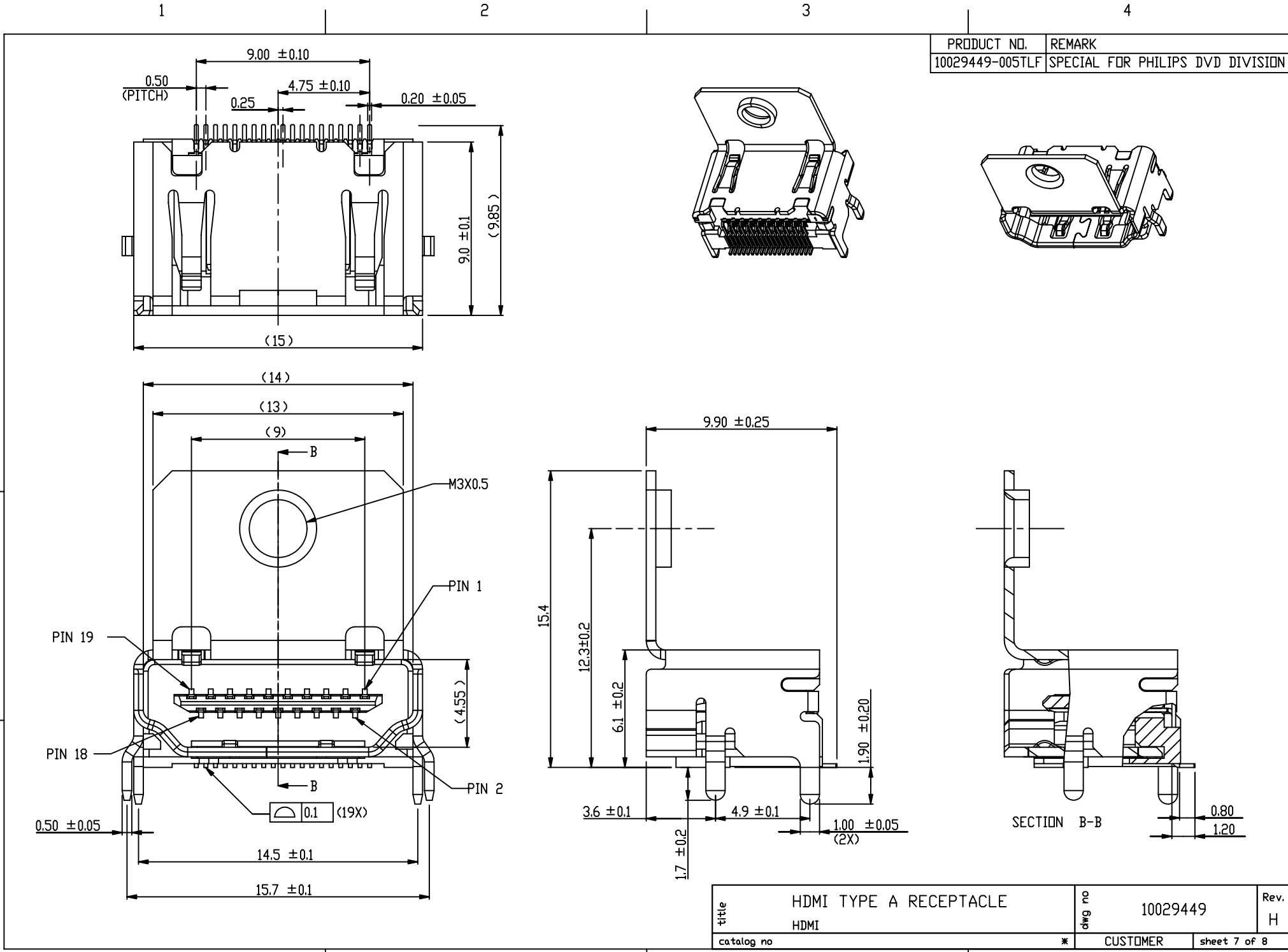
All rights strictly reserved. Reproduction or issue to third parties in any form whatever is not permitted without written authority from the proprietor. Property of FCI. Copyright FCI.

title	HDMI TYPE A RECEPTACLE	dwg no	10029449	Rev.	H
	HDMI				
catalog no		*	CUSTOMER	sheet 6 of 8	



All rights strictly reserved. Reproduction or issue to third parties in any form whatever is not permitted without written authority from the proprietor.
Property of FCI. Copyright FCI.

Tous droits strictement reserves. Reproduction ou communication a des tiers interdite sous quelque forme que ce soit sans autorisation écrite du propriétaire.
Propriete de c FCI. Droits de reproduction FCI.



PRODUCT NO.	REMARK
10029449-005TLF	SPECIAL FOR PHILIPS DVD DIVISION

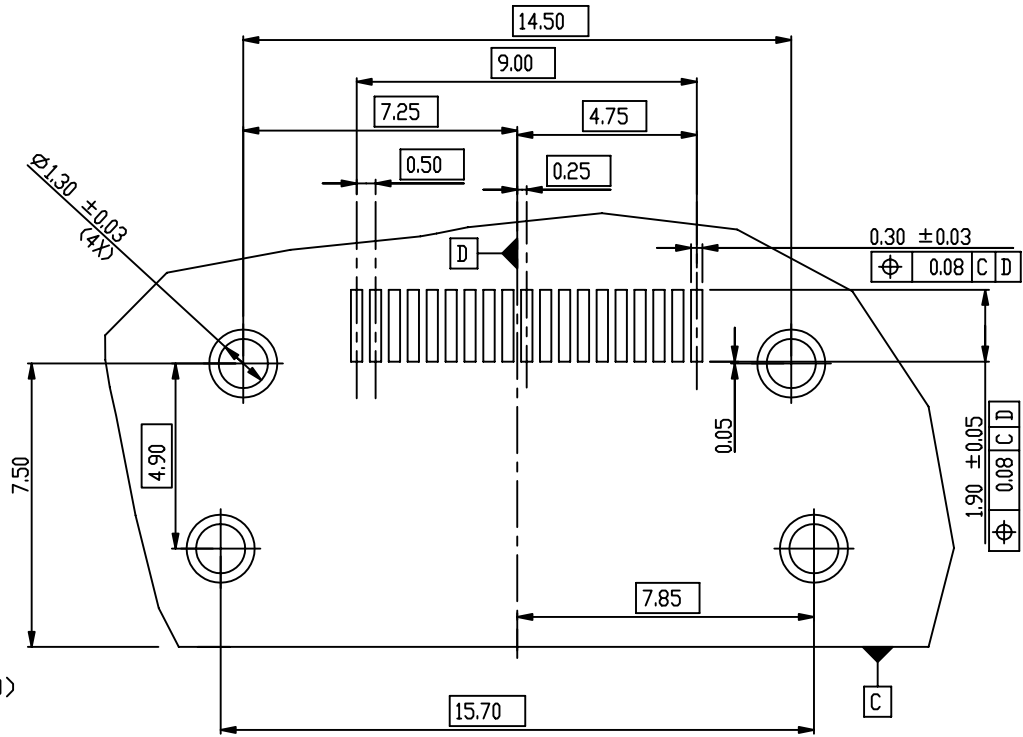
title	HDMI TYPE A RECEPTACLE		dwg no	10029449	Rev.	H
	HDMI			* CUSTOMER		sheet 7 of 8
catalog no						

Tous droits strictement reserves. Reproduction ou communication a des tiers interdite sous quelque forme que ce soit sans autorisation écrite du propriétaire. Propriete de c FCI. Droits de reproduction FCI.



All rights strictly reserved. Reproduction or issue to third parties in any form whatever is not permitted without written authority from the proprietor. Property of FCI. Copyright FCI.

PRODUCT NO.	REMARK
10029449-005TLF	SPECIAL FOR PHILIPS DVD DIVISION



RECOMMENDED PCB PATTERN LAYOUT
(t=1.6mm)

NOTES:

- 1.MATERIAL
 - 1-1 HOUSING: GLASS FIBER HIGH-TEMP. RESIN.(UL94V-0)
 - 1-2 CONTACT: COPPER ALLOY
 - 1-3 SHELL : COPPER ALLOY
- 2 FINISH
 - 2-1 CONTACT : Ni UNDER PLATED ALL OVER
CONTACT AREA 30µ" Au MIN.
 - 2-2 SHELL : Ni 2.54 MICRONS MIN.
- 3 PACKAGING:
 - PACKAGING SPECIFICATION GS-14-939.
- 4.RoHS STANDARD SPECIFICATION ACCORDING TO FCI GS-22-008.
- 5.PRODUCT P/N DEFINITION:
 - 10029449-X XX X LF

BASE PRODUCT NUMBER _____

TERMINAL CONTACT AREA PLATING OPTION _____
0 - 30µ" GOLD;

SHELL OPTION _____
05 - THROUGH HOLE, WITH FLANGE

PACKAGING OPTION _____
T - TRAY

LEAD FREE MARK _____

title	HDMI TYPE A RECEPTACLE	dwg no	10029449	Rev.	H
	HDMI				
catalog no	*	CUSTOMER	sheet 8 of 8		