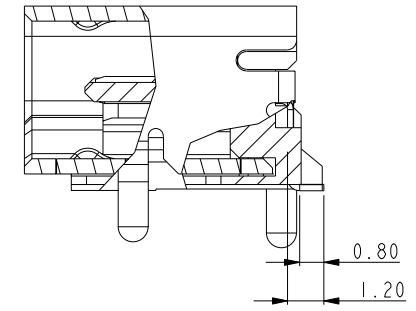
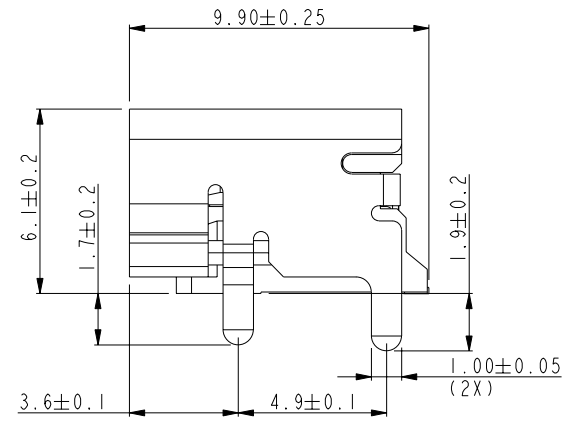
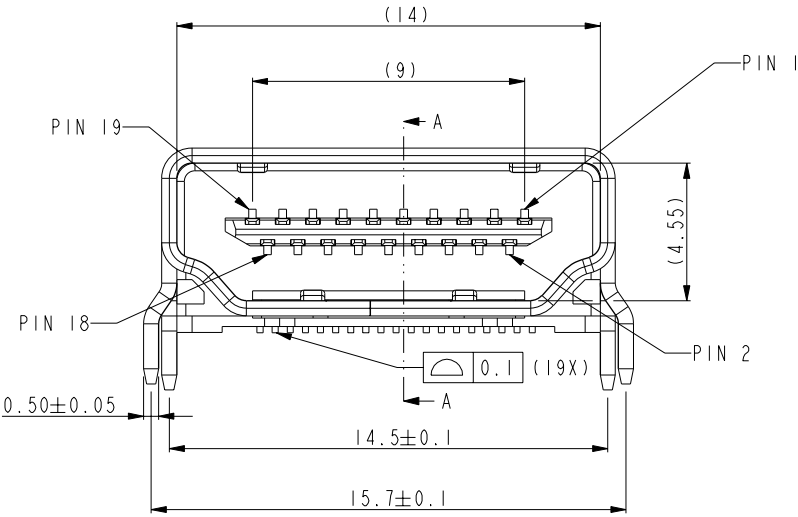
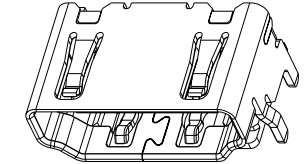
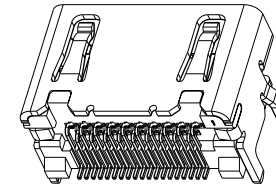
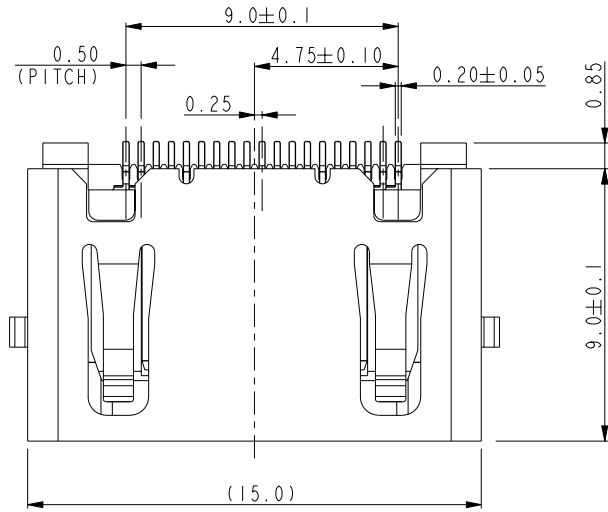




Tous droits strictement réservés. Reproduction ou communication à des tiers interdite sous quelque forme que ce soit sans autorisation écrite du propriétaire. Propriété de FCI. Droits de reproduction FCI.

All rights strictly reserved. Reproduction or issue to third parties in any form whatever is not permitted without written authority from the proprietor. Property of FCI. Copyright FCI.

DESCRIPTION	FINISHED	PACKING
10029449-001LF	NICKEL PLATED	TAPE AND REEL



SECTION A-A

Mark with 10029449-001
REV. 1
in area indicated by X

rev	ecn no	dr	date
A	T05-0041	LS	04/28/05
B	T05-0193	LS	09/07/05
C	T05-0279	LS	12/12/05
D	T05-0301	LS	12/29/05

GENERAL TOLERANCE	ANGLE
.±0.8	X"±
.x±0.4	X°±
.xx±0.1	

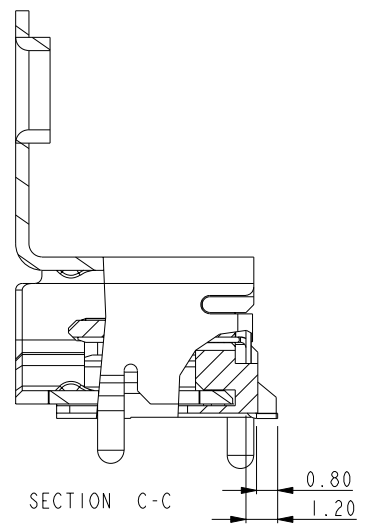
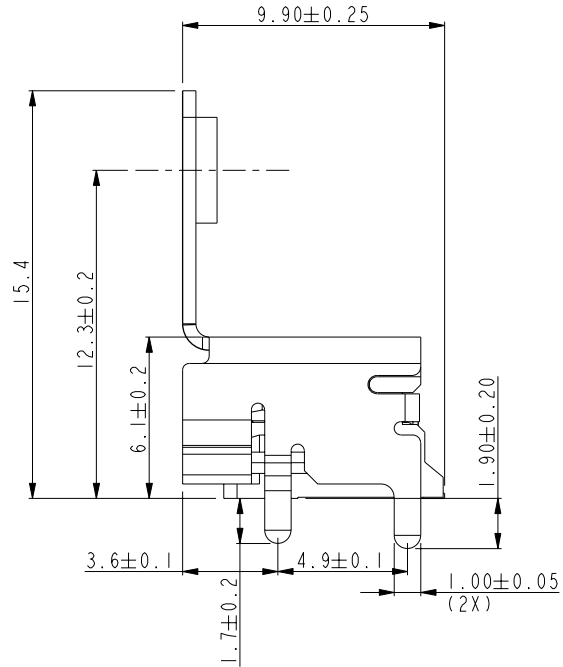
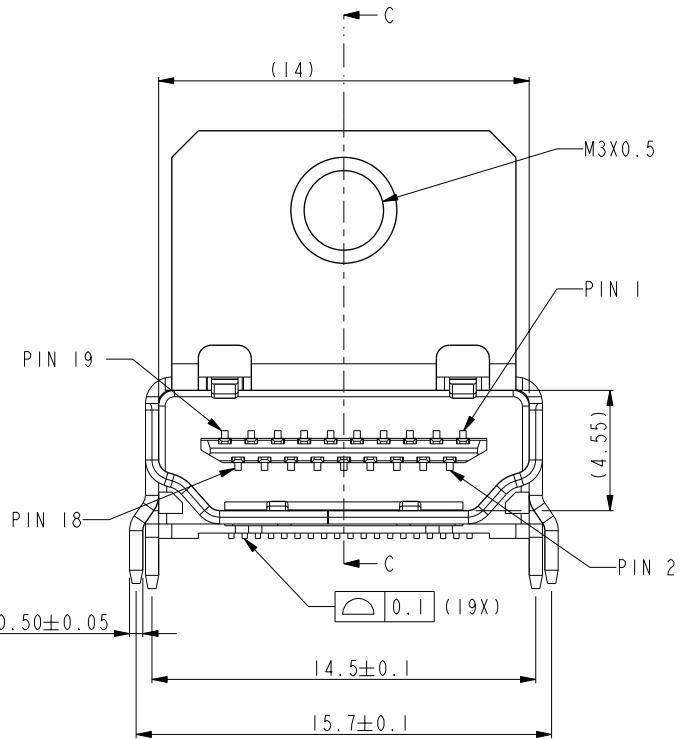
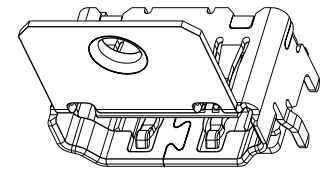
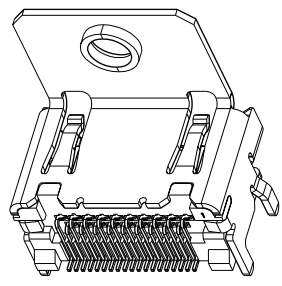
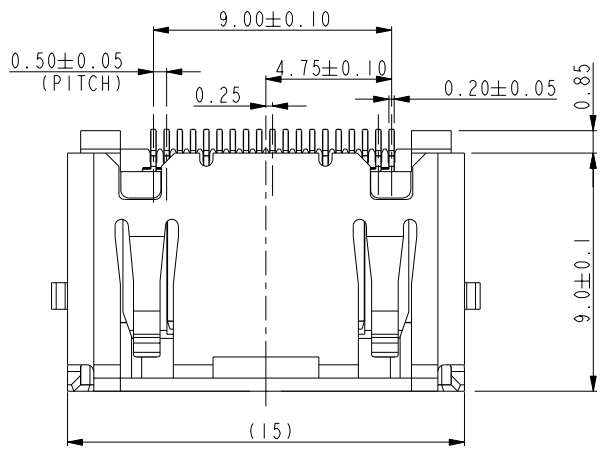
www.fciconnect.com	<input checked="" type="checkbox"/> tolerance	<input checked="" type="checkbox"/> projection	
	Dr LEIF SHEN 10/15/04 Product family	Eng LEIF SHEN 10/15/04 Spec ref *	size A4 Scale 1.000
Chr PAUL WANG 10/15/04 Material SEE NOTES	Appr JOSEPH HSIA 10/15/04	ECN T05-0301	D
title HDMI TYPE A RECEPTACLE	title HDMI	dwg no 10029449	Rev. D
catalog no *	CUSTOMER	sheet 1 of 3	D

Tous droits strictement réservés. Reproduction ou communication à des tiers interdite sous quelque forme que ce soit sans autorisation écrite du propriétaire. Propriété de c FCI. Droits de reproduction FCI.



All rights strictly reserved. Reproduction or issue to third parties in any form whatever is not permitted without written authority from the proprietor. Property of FCI. Copyright FCI.

DESCRIPTION	FINISHED	PACKING
10029449-002LF	NICKEL PLATED	TRAY
10029449-002RLF	NICKEL PLATED	TAPE AND REEL

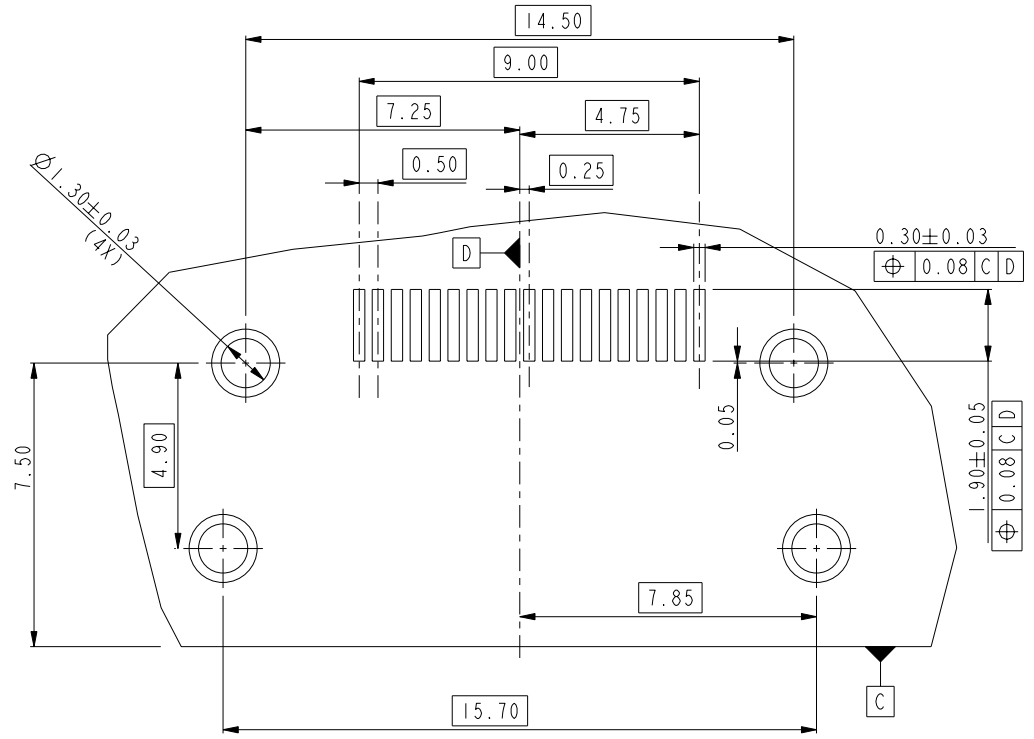


title	HDMI TYPE A RECEPTACLE	dwg no	10029449	Rev.	D
catalog no	HDMI	*	CUSTOMER	sheet 2 of 3	

Tous droits strictement reserves. Reproduction ou communication a des tiers interdite sous quelque forme que ce soit sans autorisation écrite du propriétaire. Propriete de c FCI. Droits de reproduction FCI.



All rights strictly reserved. Reproduction or issue to third parties in any form whatever is not permitted without written authority from the proprietor. Property of FCI. Copyright FCI.



RECOMMENDED PCB PATTERN LAYOUT
(t=1.6mm)

NOTES:

- 1. MATERIAL
 - 1-1 HOUSING: GRASS FIELD HIGH-TEMP. RESIN.(UL94V-0)
 - 1-2 CONTACT: COPPER ALLOY
 - 1-3 SHELL : COPPER ALLOY
- 2. FINISH
 - 2-1 CONTACT : Ni UNDER PLATED ALL OVER
CONTACT AREA 0.75 MICRONS Au MIN.
 - 2-2 SHELL : Ni 2.54 MICRONS MIN.
- 3. PACKAGING:
 - PACKAGING SPECIFICATION GS-14-939.
- 4. RoHS STANDARD SPECIFICATION ACCORDING TO TO FCI GS-2208.

title	HDMI TYPE A RECEPTACLE	dwg no	10029449	Rev.	D
	HDMI				
catalog no		*	CUSTOMER	sheet 3 of 3	