

10029449-001RLF - HDMI :  
HDMI Receptacle, Type A,  
Right Angle, Partial SMT  
(Through Hole for Shell Peg),  
without flange, Tape and Reel  
package



[www.fci.com](http://www.fci.com)

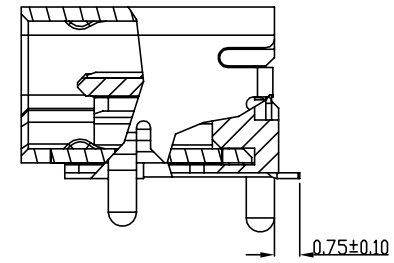
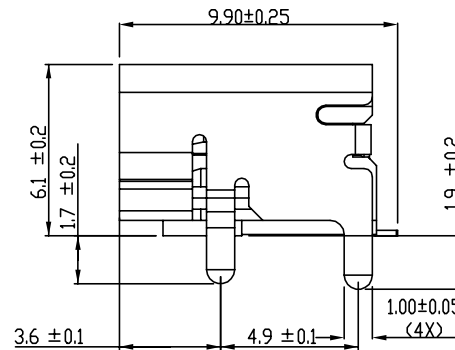
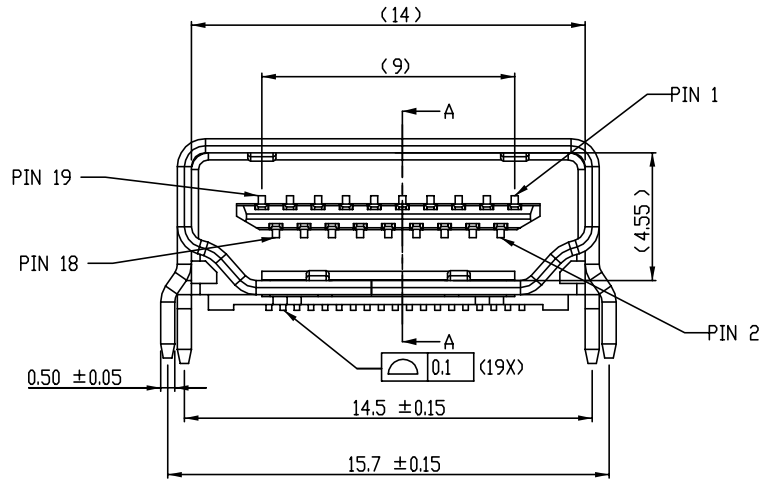
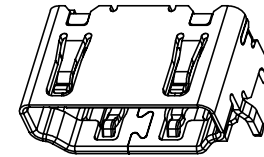
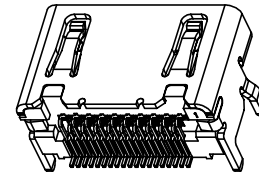
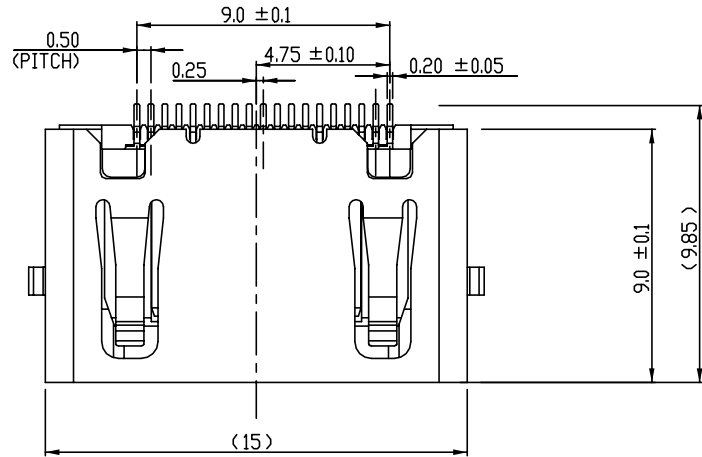


## Specifications

<b>General</b>	
Gender	Receptacle
Hold Down Style	Through Hole
Number of contacts	19
Orientation	Horizontal
Packaging	Tape and Reel
Style	A
<b>Dimensional</b>	
Thickness (Board - recommended)	1.6 mm
<b>Electrical</b>	
Current rating (Contact)	0.5A min.
Withstanding Voltage	500V AC
Resistance (Contact)	30 ohm max.
Resistance (Insulation)	100 M-ohm
Resistance (Shell)	50 ohm max.
Voltage rating	40V AC max.
<b>Mechanical</b>	
Durability (Mating cycles)	10,000
Withdrawal Force	9.8N min. 39.1 max.
Mating force	44.1N max.
<b>Mounting</b>	
Mounting style	Surface Mount
Mounting flange	None
<b>Physical</b>	
Color (Housing)	Black
Material (Contact)	Copper Alloy
Material (Housing)	High - Temp Resin
Plating (Contact area)	30u" Au
Plating (Shield)	Nickel
Plating (Solder tail)	Pure Sn

<b>Material (Metal Shell)</b>	Copper Alloy
<b>Temperature (Operating - range)</b>	-55°C to +85°C
<b>Other Features</b>	
<b>Most Popular Configuration</b>	Not Applicable

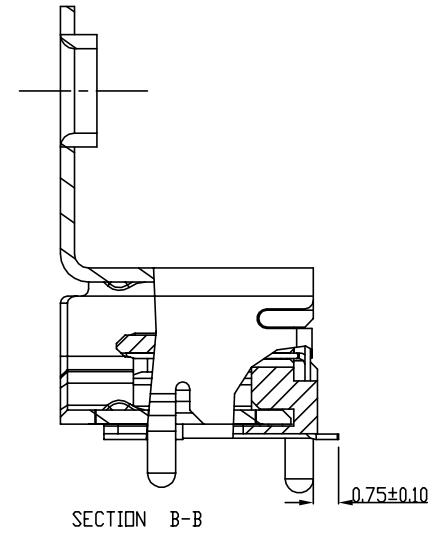
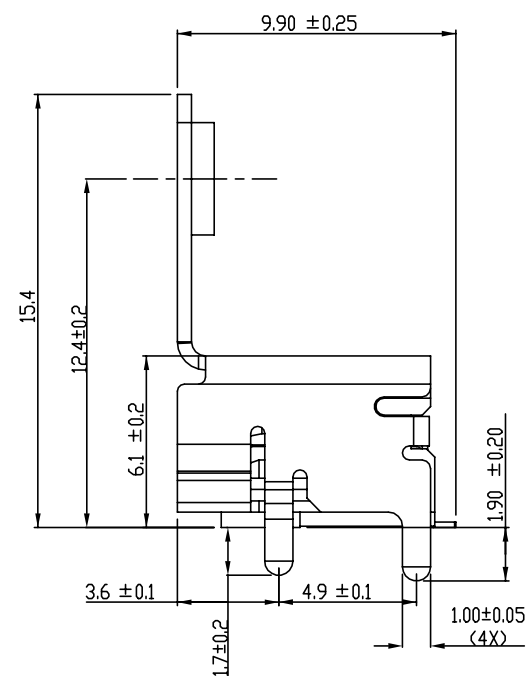
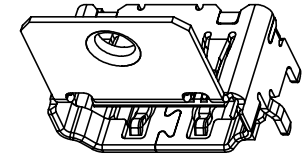
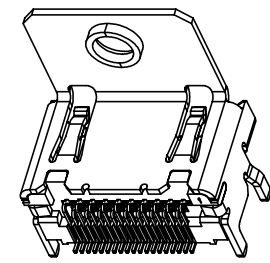
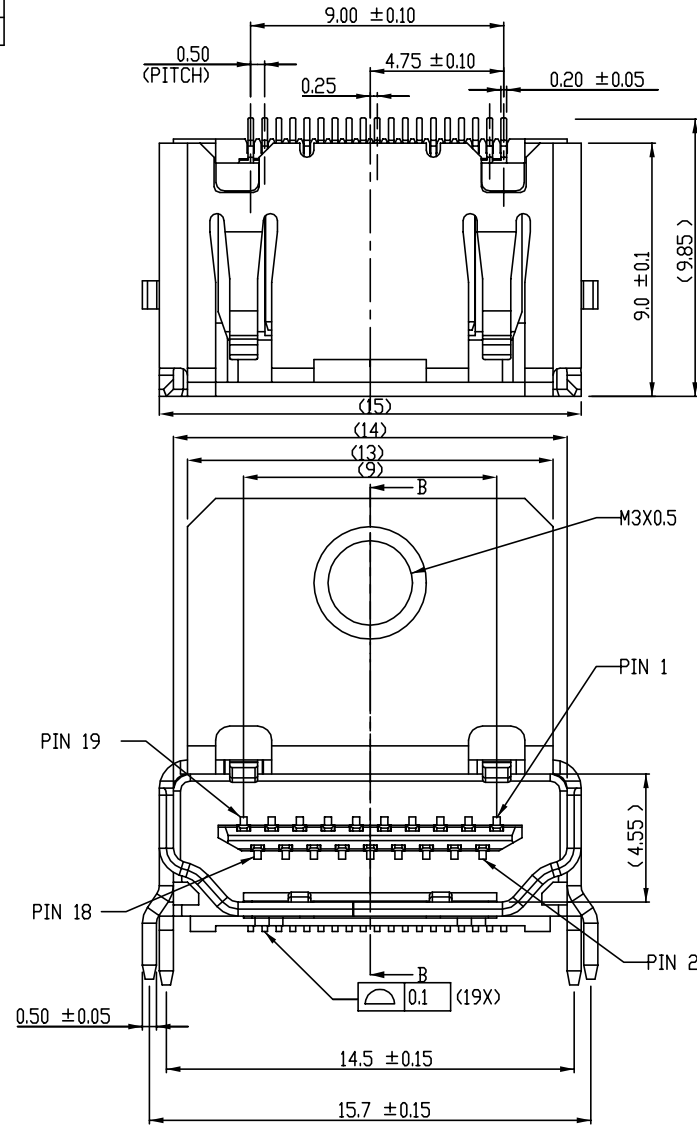
PRODUCT NO.  
10029449-X01XLF



SECTION A-A

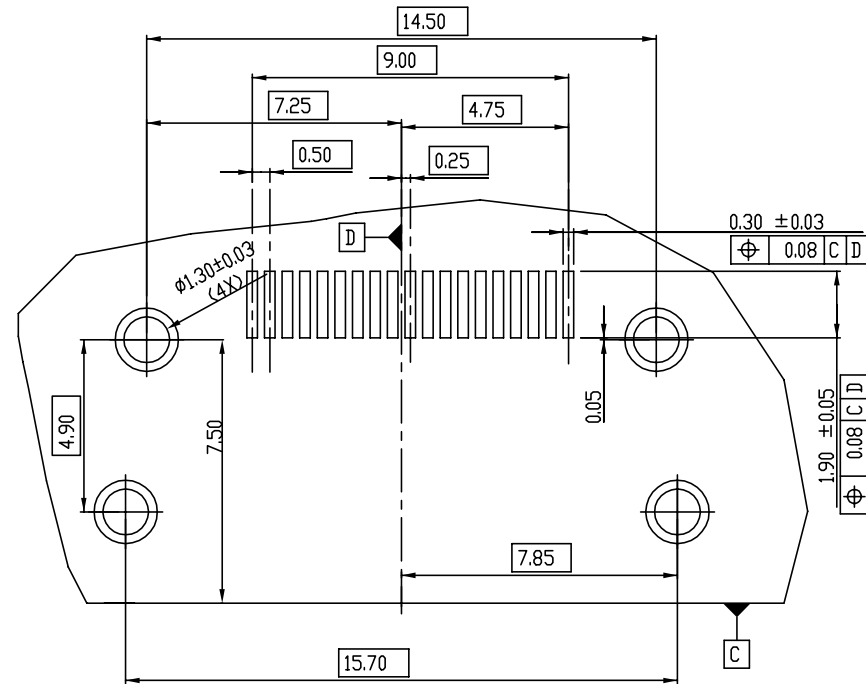
mat'l. code		surface		tolerance		projection		product family	
		ISO1302		ISO1101 ISO406				HDMI	
ltr ecn nodr		date		tolerances unless otherwise specified				HDMI TYPE A RECEPTACLE	
M	N09-0307	SH	10/21/09	angle	.X±0.3	MM			
N	N10-0033	SH	02/01/10	line	.XX±0.15				
P	N10-0201	KW	2011-02-14	0°±2'	.XXX±0.05	scale 4.0			
R	N12-0001	SH	2012-02-23	dr	LEIF SHEN	10/15/04		dwg no	
S	N12-0003	AZH	2012-06-13	enr	LEIF SHEN	10/15/04		sheet 1 of 5	
				chr	PAUL WANG	10/15/04		10029449	
				app	JOSEPH HSIA	10/15/04		A4	
sheet	revisions	s	s	s	s			type Product Customer Drawing	
index	sheet	1	2	3	4	5			

PRODUCT NO.  
10029449-002XLF



mat'l. code		surface / tolerance		projection		product family	
		ISO1302 ✓ ISO101 ISO406		MM		HDMI	
ltr ecn nodr date		tolerances unless otherwise specified		MM		HDMI TYPE A RECEPTACLE	
M	N09-0307	SH	10/21/09	angle	.X±0.3		
N	N10-0033	SH	02/01/10	linear	.XX±0.15		
P	N10-0201	KW	2011-02-14	0°±2'	.XXX±0.05	scale 4.0	
R	N12-0001	SH	2012-03-09	dr	LEIF SHEN	10/15/04	dwg no
S	N12-0003	A.ZH	2012-06-13	enr	LEIF SHEN	10/15/04	sheet 2 of 5
				chr	PAUL WANG	10/15/04	size
				app	JOSEPH HSIA	10/15/04	A4
sheet index		revision sheet		FCI		type Product Customer Drawing	

PRODUCT NO.	CONTACT AREA PLATING	SHIELD FIGURE	PACKING
10029449-001TLF	30u" GXT MINIMUM	WITHOUT FLANGE	TRAY
10029449-001RLF	30u" GXT MINIMUM	WITHOUT FLANGE	TAPE AND REEL
10029449-101TLF	GOLD FLASH 3u" MIN	WITHOUT FLANGE	TRAY
10029449-101RLF	GOLD FLASH 3u" MIN	WITHOUT FLANGE	TAPE AND REEL
10029449-002TLF	30u" GXT MINIMUM	WITH FLANGE	TRAY
10029449-002RLF	30u" GXT MINIMUM	WITH FLANGE	TAPE AND REEL
10029449-002FLF	GOLD FLASH 3u" MIN	WITH FLANGE	TAPE AND REEL



RECOMMENDED PCB PATTERN LAYOUT  
(t=1.6mm)

NOTES:

1. MATERIAL

- 1-1 HOUSING: GLASS FIBER HIGH-TEMP. RESIN.(UL94V-0)
- 1-2 CONTACT: BRASS
- 1-3 SHELL : STEEL

2. FINISH

- 2-1 CONTACT : Ni UNDER PLATED ALL OVER 50u" MIN CONTACT AREA SEE TABLE
- 2-2 SHELL : Ni 100u" MIN.

3. PACKAGING:

PACKAGING SPECIFICATION GS-14-939.

4. PRODUCT SPEC:

PRODUCT SPECIFICATION GS-12-309.

5. RoHS STANDARD SPECIFICATION ACCORDING TO FCI GS-22-008.

6. PARTS MEET REFLOW APPLICATION PEAK TEM. 260°C, 10 SECONDS MAX.

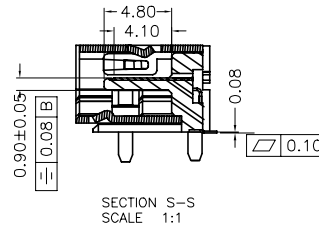
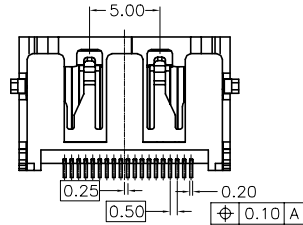
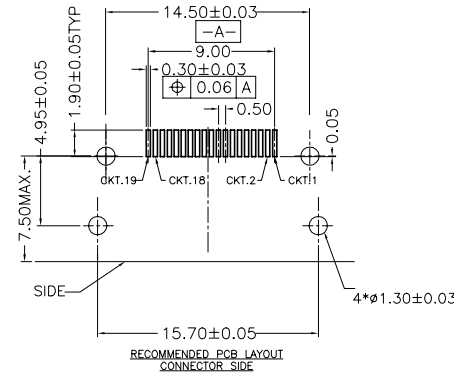
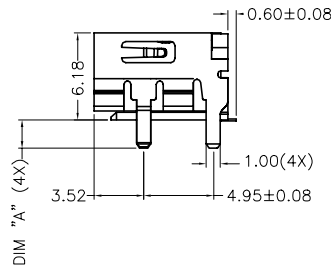
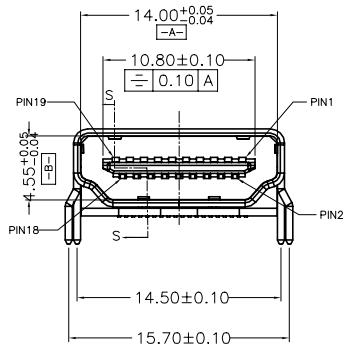
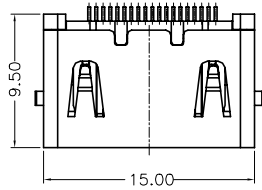
mat'l. code		surface		tolerance		projection		product family	
		ISO1302		ISO1101 ISO406		MM		HDMI	
ltr ecn nodr		date		tolerances unless otherwise specified		MM		HDMI TYPE A RECEPTACLE	
M	N09-0307	SH	10/21/09	angle	.X±.03	MM		HDMI TYPE A RECEPTACLE	
N	N10-0033	SH	02/01/10	line	.XX±.015	MM		HDMI TYPE A RECEPTACLE	
P	N10-0201	KW	2011-02-14	0°±2'	.XXX±.005	scale 4.0		HDMI TYPE A RECEPTACLE	
R	N12-0001	SH	2012-03-09	dr	LEIF SHEN	10/15/04		dwg no	
S	N12-0003	A.ZH	2012-06-13	enr	LEIF SHEN	10/15/04		sheet 3 of 5	
				chr	PAUL WANG	10/15/04		size	
				app	JOSEPH HSIA	10/15/04		A4	
sheet index		revision sheet						type Product Customer Drawing	



PRODUCT NO.	CONTACT AREA PLATING	SHIELD FIGURE	DIM "A"	PACKING
10029449-111RLF	GOLD FLASH 3u" MIN	WITHOUT FLANGE	2.02±0.20	TAPE AND REEL
10029449-113RLF	GOLD FLASH 3u" MIN	WITHOUT FLANGE	0.90±0.20	TAPE AND REEL

NOTE:

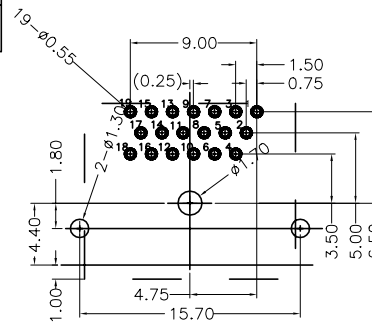
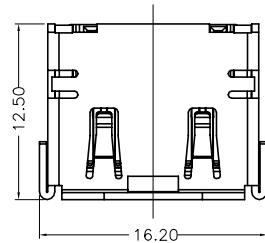
- MATERIAL:  
HOUSING: HIGH TEMP.THERMOPLASTIC, UL 94V-0  
COLOR: BLACK.  
CONTACT: PHOSPHOR BRONZE  
SHIELD: BRASS
- FINISH:  
SEE NOTES.
- TERMINAL RETENTION FORCE TO BE 0.3kgf MIN.
- TERMINAL CUT-OFF BURR TO BE 0.05MAX.



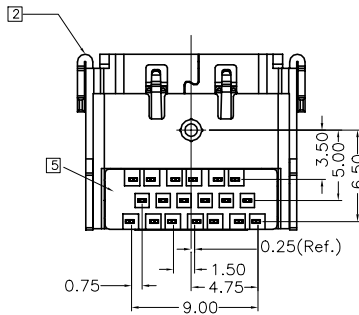
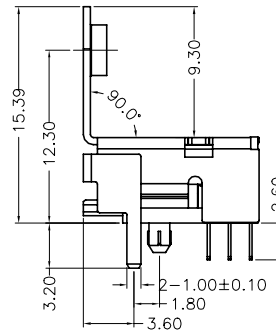
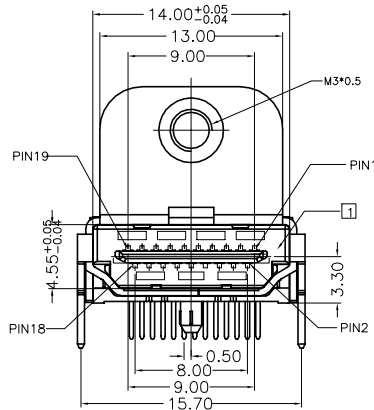
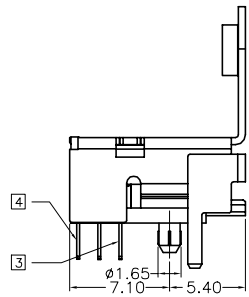
mat'l. code		surface ISO1302 ✓		tolerance ISO1101 ISO406		projection MM		product family HDMI	
ltr ecn nodr		date		tolerances unless otherwise specified		title		HDMI TYPE A RECEPTACLE	
M	N09-0307	SH	10/21/09	angle	.X±0.3	MM		HDMI TYPE A RECEPTACLE	
N	N10-0033	SH	02/01/10	line	.XX±0.15	scale 2.0		HDMI TYPE A RECEPTACLE	
P	N10-0201	KW	2011-02-14	0°±2'	.XXX±0.05	scale 2.0		HDMI TYPE A RECEPTACLE	
R	N12-0001	SH	2012-03-09	dr	LEIF SHEN	10/15/04		dwg no sheet4of5 size	
S	N12-0003	A.ZH	2012-06-13	enr	LEIF SHEN	10/15/04		10029449 A4	
				chr	PAUL WANG	10/15/04		type Product Customer Drawing	
				app	JOSEPH HSIA	10/15/04		type Product Customer Drawing	
sheet index	revision sheet								



PRODUCT NO.	CONTACT AREA PLATING	SHIELD FIGURE	PACKING
10029449-112TLF	GOLD FLASH 3u" MIN	WITH FLANGE	TRAY



RECOMMENDED PCB LAYOUT(t=1.60±0.15)  
COMPONENT SIDE



NOTE:

- MECHANICAL CHARACTERISTICS  
 INSERTION FORCE: 44.1N MAX  
 WITHDRAWAL FORCE: 9.8N MIN, 39.2N MAX  
 MATING CYCLE: 10000 CYCLES  
 CONTACT PULL OUT FORCE: 1.96N/PIN MIN

- ELECTRICAL CHARACTERISTICS  
 RATING CURRENT: 0.5A  
 RATING VOLTAGE: 40V  
 CONTACT RESISTANCE: 10 MILLOHMS OHMS MAX  
 (EXCLUDING CONDUCTOR RESISTANCE)  
 INSULATION RESISTANCE:  
 a, UNMATED: 100M OHMS MIN AT 500 VDC  
 b, MATED: 10M OHMS MIN AT 150 VDC  
 DIELECTRIC WITHSTANDING VOLTAGE: 300V AC/1MINUTE  
 OPERATING TEMPERATURE: -20°C---+85°C  
 STORAGE TEMPERATURE: -20°C---+65°C

mat'l. code		surface		tolerance		projection		product family		
		ISO1302 ✓		ISO101 ISO406				HDMI		
ltr ecn nodr		date		tolerances unless otherwise specified		MM		HDMI TYPE A RECEPTACLE		
M	N09-0307	SH	10/21/09	angle	.0±0.3	←→				
N	N10-0033	SH	02/01/10	linear	.00±0.15					
P	N10-0201	KW	2011-02-14	0°±2'	.000±0.05	scale 2.0				
R	N12-0001	SH	2012-03-09	dr	LEIF SHEN	10/15/04		dwg no sheet5of5 size		
S	N12-0003	A.ZH	2012-06-13	enr	LEIF SHEN	10/15/04		10029449 A4		
				chr	PAUL WANG	10/15/04		type Product Customer Drawing		
				app	JOSEPH HSIA	10/15/04				
sheet	revision									
index	sheet									