

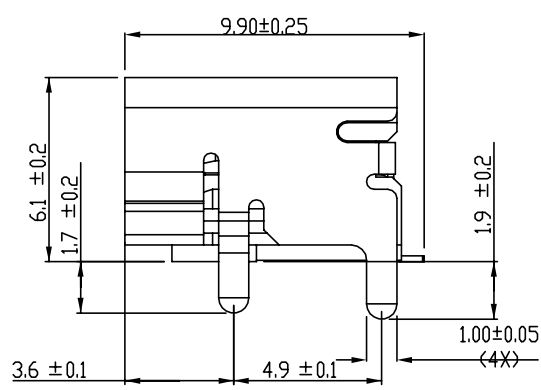
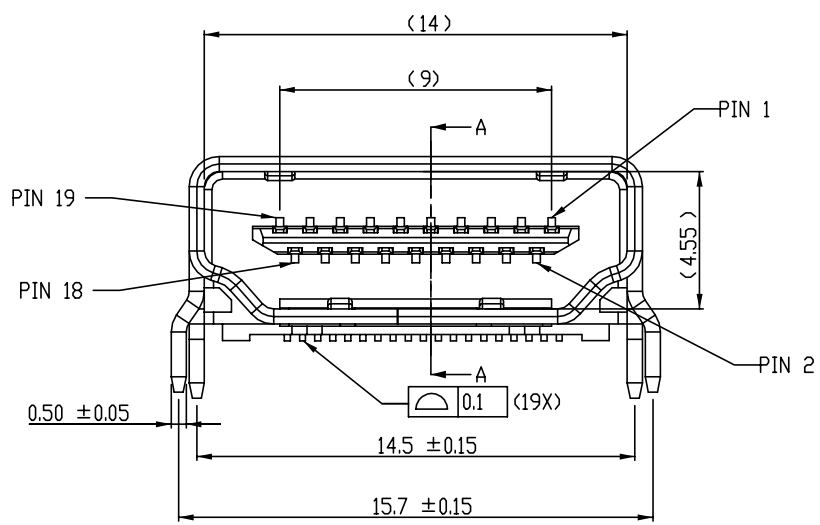
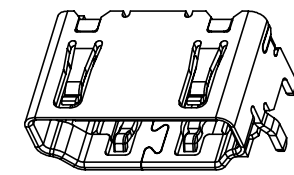
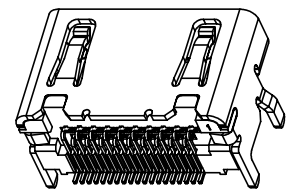
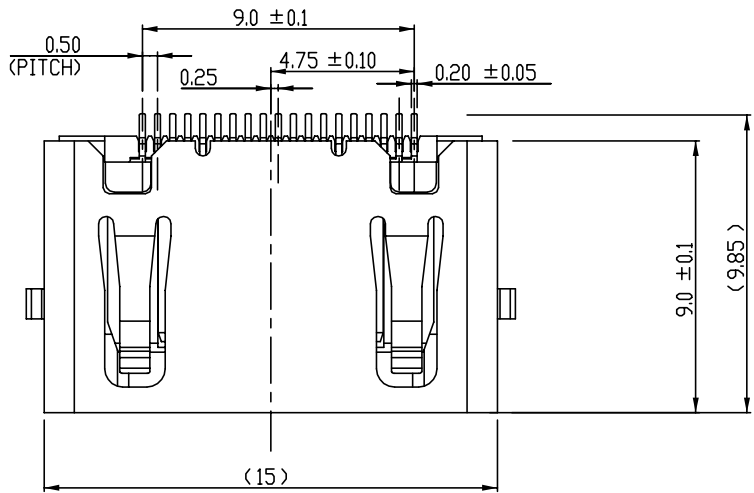
1

2

3

4

PRODUCT NO.
10029449-X01XLF



SECTION A-A

Tous droits strictement reserves. Reproduction ou communication a des tiers interdite sous quelque forme que ce soit sans autorisation ecrite du proprietaire. Propriete de c FCI. Droits de reproduction FCI.



All rights strictly reserved. Reproduction or issue to third parties in any form whatever is not permitted without written authority from the proprietor. Property of FCI. Copyright FCI.

Mark with
10029449-001
REV. 1
in area indicated
by X....



www.fciconnect.com

tolerance	projection	
size	A4	Scale 1.000

Dr	LEIF SHEN	10/15/04	Product family	
Eng	LEIF SHEN	10/15/04	Spec ref	*
Chr	PAUL WANG	10/15/04	Material	SEE NOTES
Appr	JOSEPH HSIA	10/15/04		ECN

GENERAL TOLERANCE	
DIMENSION	ANGLE
.±0.8	X°±
.x±0.4	X°±2°
.xx±0.2	

rev	ecn no	dr	date
L	N09-0159	SH	05/27/09
M	N09-0307	SH	10/21/09
F	T06-0048	LS	03/20/06
G	N06-0210	LDNG	11/20/06
H	N06-0322	LDNG	12/27/06
J	N08-0003	SH	01/22/08
K	N08-0118	SH	04/17/09

title	HDMI TYPE A RECEPTACLE	dwg no	10029449	Rev.	M
catalog no	*	CUSTOMER	sheet 1 of 6		

PDM: Rev:M

STATUS Released

4 Printed: Oct 26, 2009

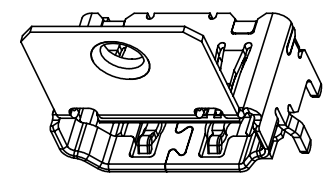
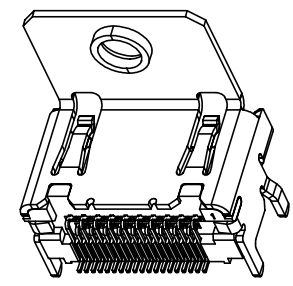
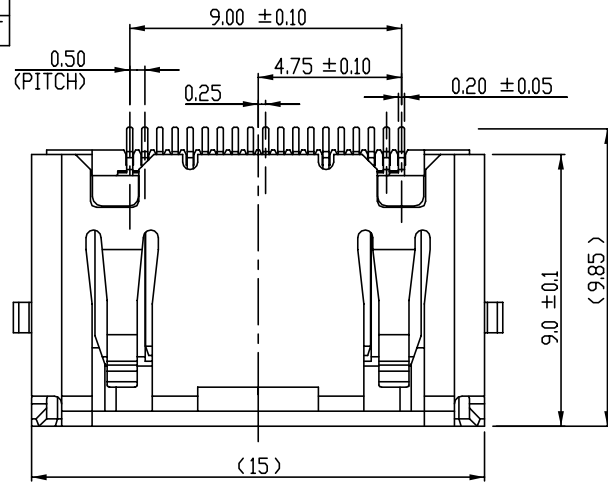
1

2

3

4

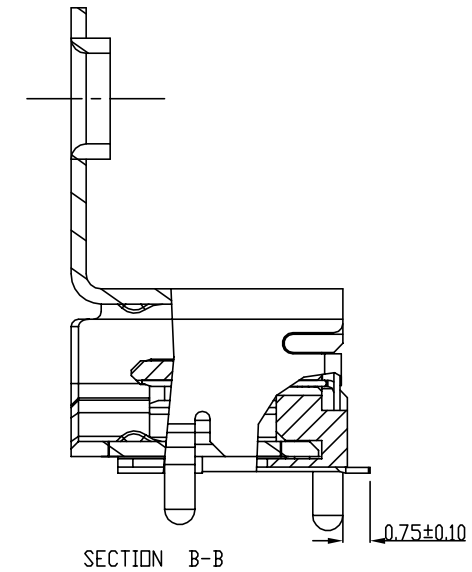
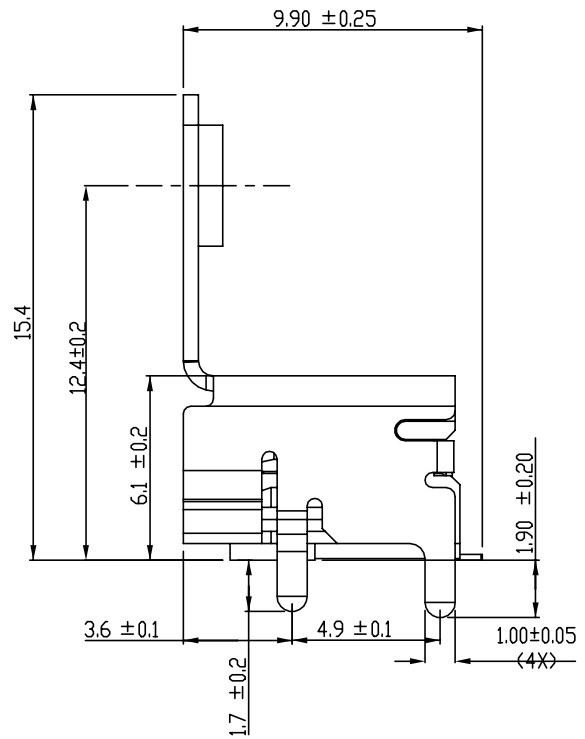
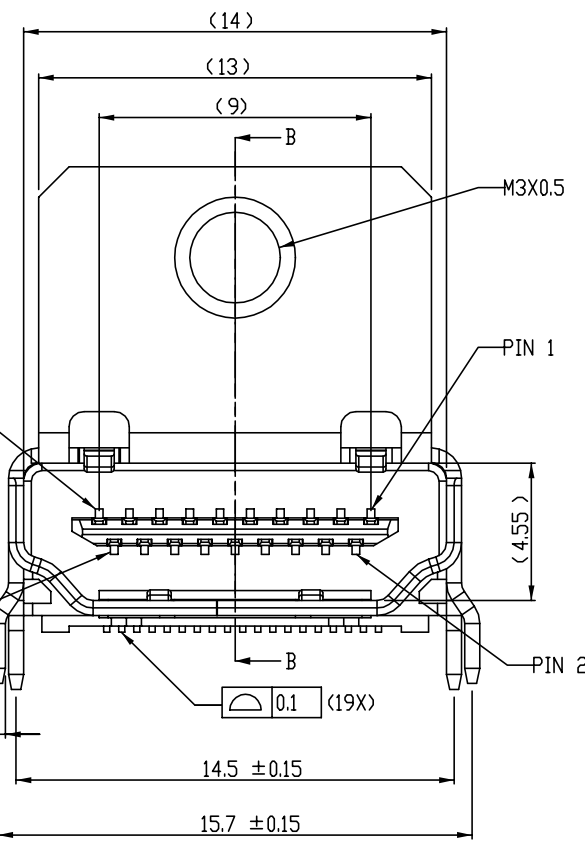
PRODUCT NO.
10029449-002XLF



Tous droits strictement reserves. Reproduction ou communication a des tiers interdite sous quelque forme que ce soit sans autorisation ecrite du proprietaire. Propriete de c FCI. Droits de reproduction FCI.

A

B



C

D

All rights strictly reserved. Reproduction or issue to third parties in any form whatever is not permitted without written authority from the proprietor. Property of FCI. Copyright FCI.

1

2

3 PDM: Rev:M

4 STATUS Released Printed: Oct 26, 2009

title	HDMI TYPE A RECEPTACLE		dwg no	10029449	Rev.	M
	HDMI			* CUSTOMER		sheet 2 of 6
catalog no						

Tous droits strictement reserves. Reproduction ou communication a des tiers interdite sous quelque forme que ce soit sans autorisation écrite du propriétaire. Propriete de c FCI. Droits de reproduction FCI.



All rights strictly reserved. Reproduction or issue to third parties in any form whatever is not permitted without written authority from the proprietor. Property of FCI. Copyright FCI.

PRODUCT NO.	CONTACT AREA PLATING	SHIELD FIGURE	PACKING	REMARK
10029449-001TLF	30u" Au MINIMUM	WITHOUT FLANGE	TRAY	
10029449-001RLF	30u" Au MINIMUM	WITHOUT FLANGE	TAPE AND REEL	
10029449-101TLF	GOLD FLASH	WITHOUT FLANGE	TRAY	
10029449-101RLF	GOLD FLASH	WITHOUT FLANGE	TAPE AND REEL	
10029449-002TLF	30u" Au MINIMUM	WITH FLANGE	TRAY	
10029449-002RLF	30u" Au MINIMUM	WITH FLANGE	TAPE AND REEL	
10029449-002FLF	GOLD FLASH	WITH FLANGE	TAPE AND REEL	SPECIAL FOR PHILIPS

NOTES:

1.MATERIAL

- 1-1 HOUSING: GLASS FIBER HIGH-TEMP. RESIN.(UL94V-0)
- 1-2 CONTACT: COPPER ALLOY
- 1-3 SHELL : STEEL

2 FINISH

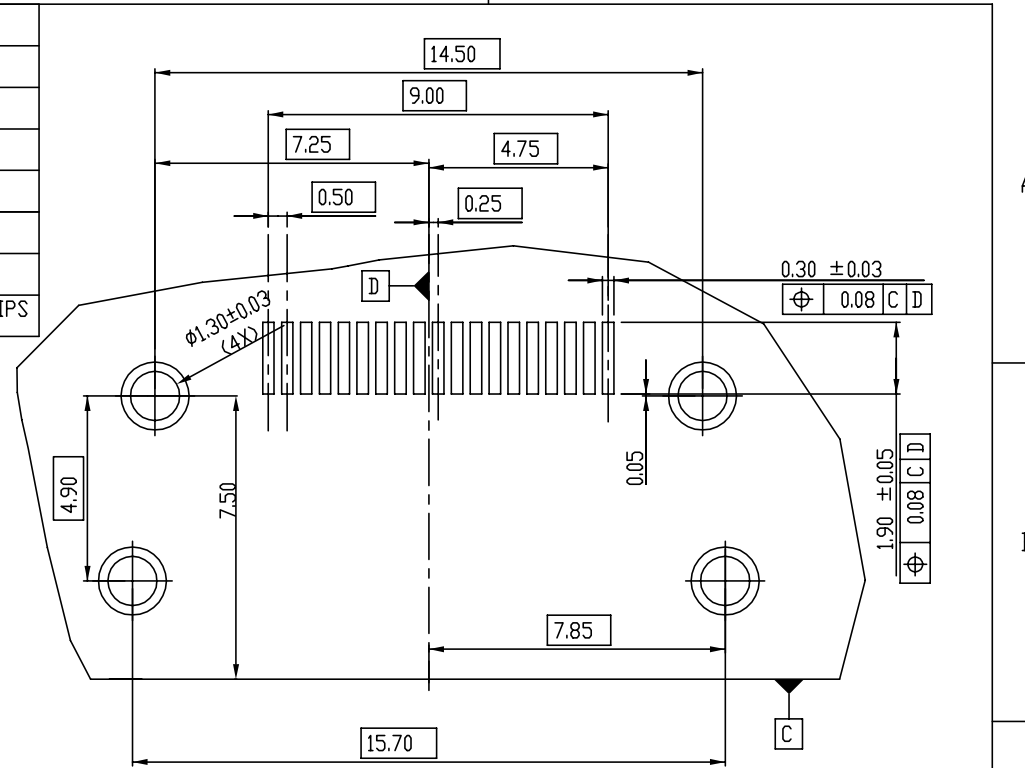
- 2-1 CONTACT : Ni UNDER PLATED ALL OVER
CONTACT AREA SEE TABLE
- 2-2 SHELL : Ni 2.54 MICRONS MIN.

3 PACKAGING:

PACKAGING SPECIFICATION GS-14-939.

4.RoHS STANDARD SPECIFICATION ACCORDING TO FCI GS-22-008.

5. PARTS MEET REFLOW APPLICATION PEAK TEM. 260 DEGREE C, 10 SECONDS MAX.



RECOMMENDED PCB PATTERN LAYOUT
(t=1.6mm)

title	HDMI TYPE A RECEPTACLE	dwg no	10029449	Rev.	M
	HDMI				
catalog no		*	CUSTOMER	sheet 3 of 6	

1

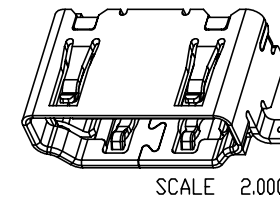
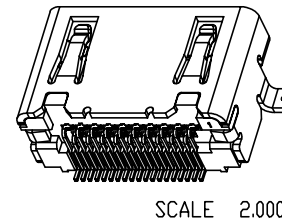
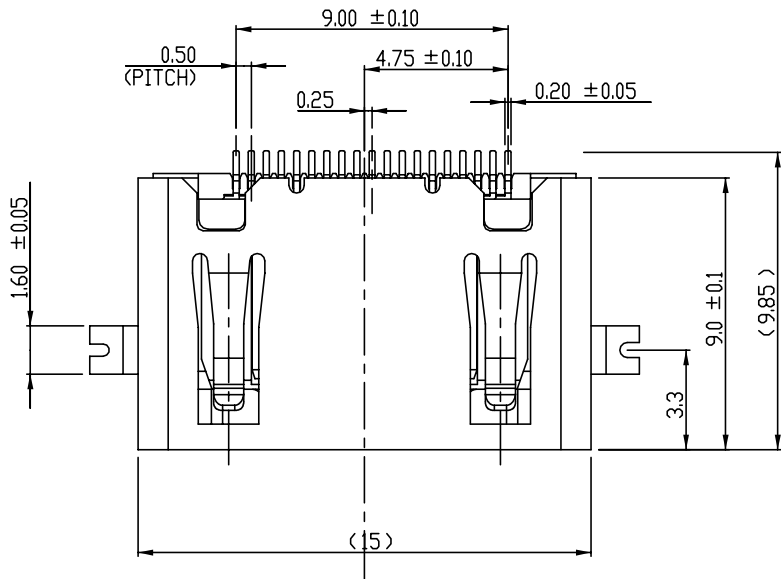
2

3

4

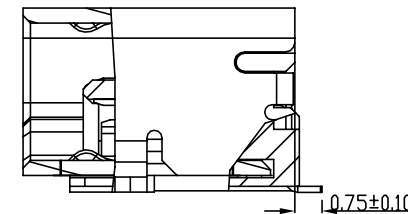
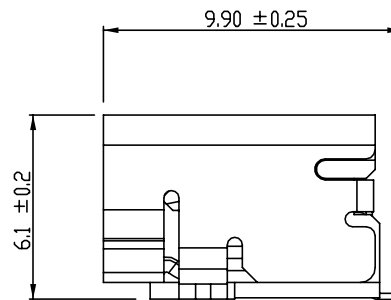
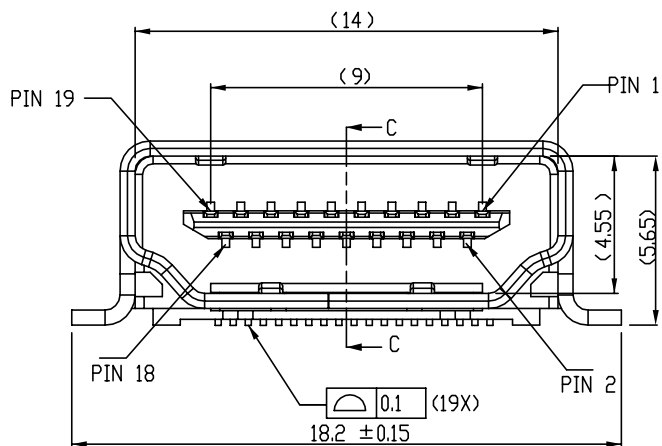
PRODUCT NO.
10029449-X03XLF

Tous droits strictement reserves. Reproduction ou communication a des tiers interdite sous quelque forme que ce soit sans autorisation ecrite du propriétaire. Propriete de c FCI. Droits de reproduction FCI.



A

B



C

D

All rights strictly reserved. Reproduction or issue to third parties in any form whatever is not permitted without written authority from the proprietor. Property of FCI. Copyright FCI.

title	HDMI TYPE A RECEPTACLE	dwg no	10029449	Rev.	M
	HDMI				
catalog no		*	CUSTOMER	sheet 4 of 6	

1

2

3 PDM: Rev:M

4 STATUS Released Printed: Oct 26, 2009

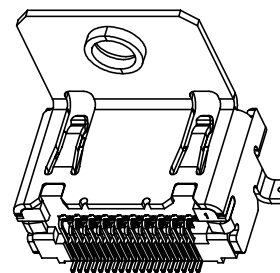
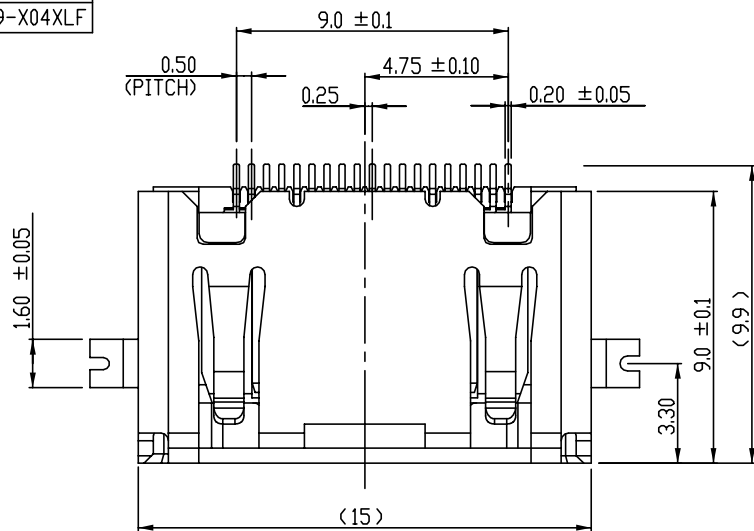
1

2

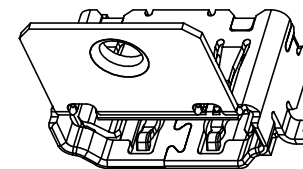
3

4

PRODUCT NO.
10029449-X04XLF

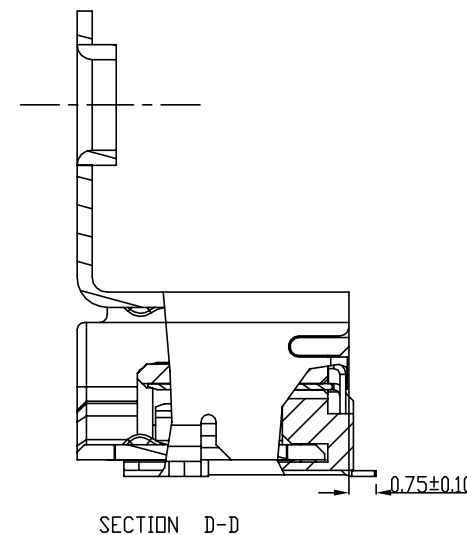
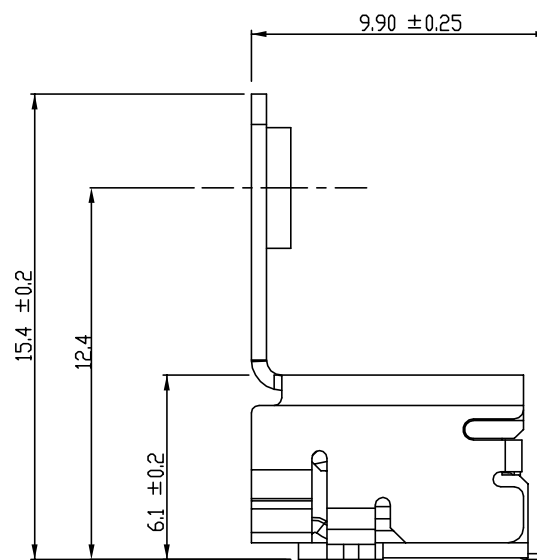
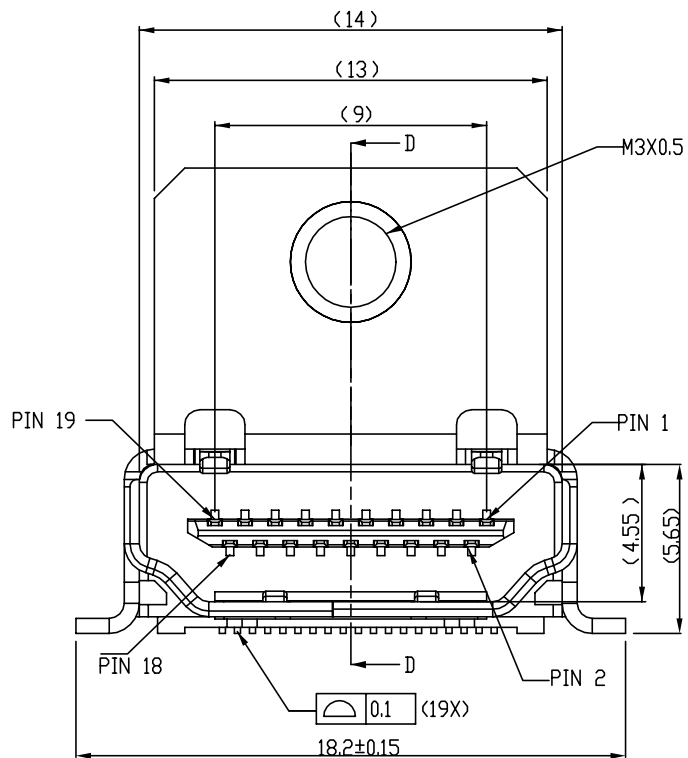


SCALE 2,000



SCALE 2,000

Tous droits strictement reserves. Reproduction ou communication a des tiers interdite sous quelque forme que ce soit sans autorisation ecrite du proprietaire. Propriete de c FCI. Droits de reproduction FCI.



title	HDMI TYPE A RECEPTACLE		dwg no	10029449	Rev.	M
	HDMI			* CUSTOMER		sheet 5 of 6
catalog no						

All rights strictly reserved. Reproduction or issue to third parties in any form whatever is not permitted without written authority from the proprietor. Property of FCI. Copyright FCI.

1

2

3 PDM: Rev:M

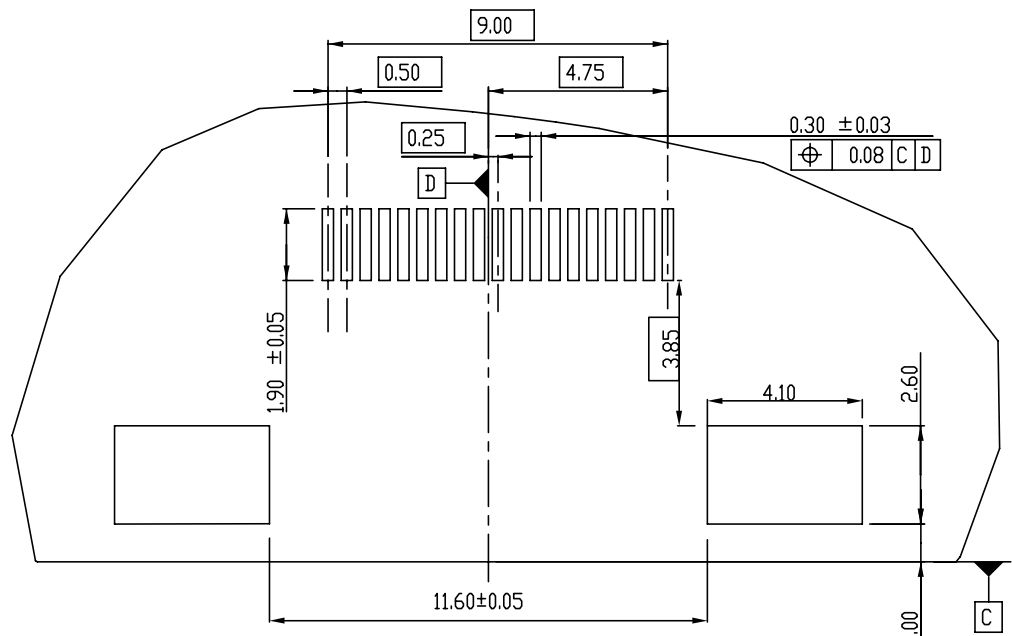
4 STATUS Released Printed: Oct 26, 2009

Tous droits strictement reserves. Reproduction ou communication a des tiers interdite sous quelque forme que ce soit sans autorisation écrite du propriétaire. Propriete de c FCI. Droits de reproduction FCI.



All rights strictly reserved. Reproduction or issue to third parties in any form whatever is not permitted without written authority from the proprietor. Property of FCI. Copyright FCI.

PRODUCT NO.	CONTACT AREA PLATING	SHIELD FIGURE	PACKING
10029449-003TLF	30u" Au MINIMUM	WITHOUT FLANGE	TRAY
10029449-003RLF	30u" Au MINIMUM	WITHOUT FLANGE	TAPE AND REEL
10029449-103TLF	GOLD FLASH	WITHOUT FLANGE	TRAY
10029449-103RLF	GOLD FLASH	WITHOUT FLANGE	TAPE AND REEL
10029449-004TLF	30u" Au MINIMUM	WITH FLANGE	TRAY
10029449-004RLF	30u" Au MINIMUM	WITH FLANGE	TAPE AND REEL
10029449-104TLF	GOLD FLASH	WITH FLANGE	TAPE AND REEL
10029449-104RLF	GOLD FLASH	WITH FLANGE	TAPE AND REEL



NOTES:

1.MATERIAL

- 1-1 HOUSING: GLASS FIBER HIGH-TEMP. RESIN.(UL94V-0)
- 1-2 CONTACT: COPPER ALLOY
- 1-3 SHELL : STEEL

2 FINISH

- 2-1 CONTCT : Ni UNDER PLATED ALL OVER
CONTACT AREA SEE TABLE
- 2-2 SHELL : Ni 2.54 MICRONS MIN.

3 PACKAGING:

PACKAGING SPECIFICATION GS-14-939.

4.RoHS STANDARD SPECIFICATION ACCORDING TO FCI GS-22-008.

5. PARTS MEET REFLOW APPLICATION PEAK TEM. 260 DEGREE C, 10 SECONDS MAX.

RECOMMENDED SMT PCB PATTERN LAYOUT

title	HDMI TYPE A RECEPTACLE	dwg no	10029449	Rev.	M
	HDMI				
catalog no		*	CUSTOMER	sheet 6 of 6	