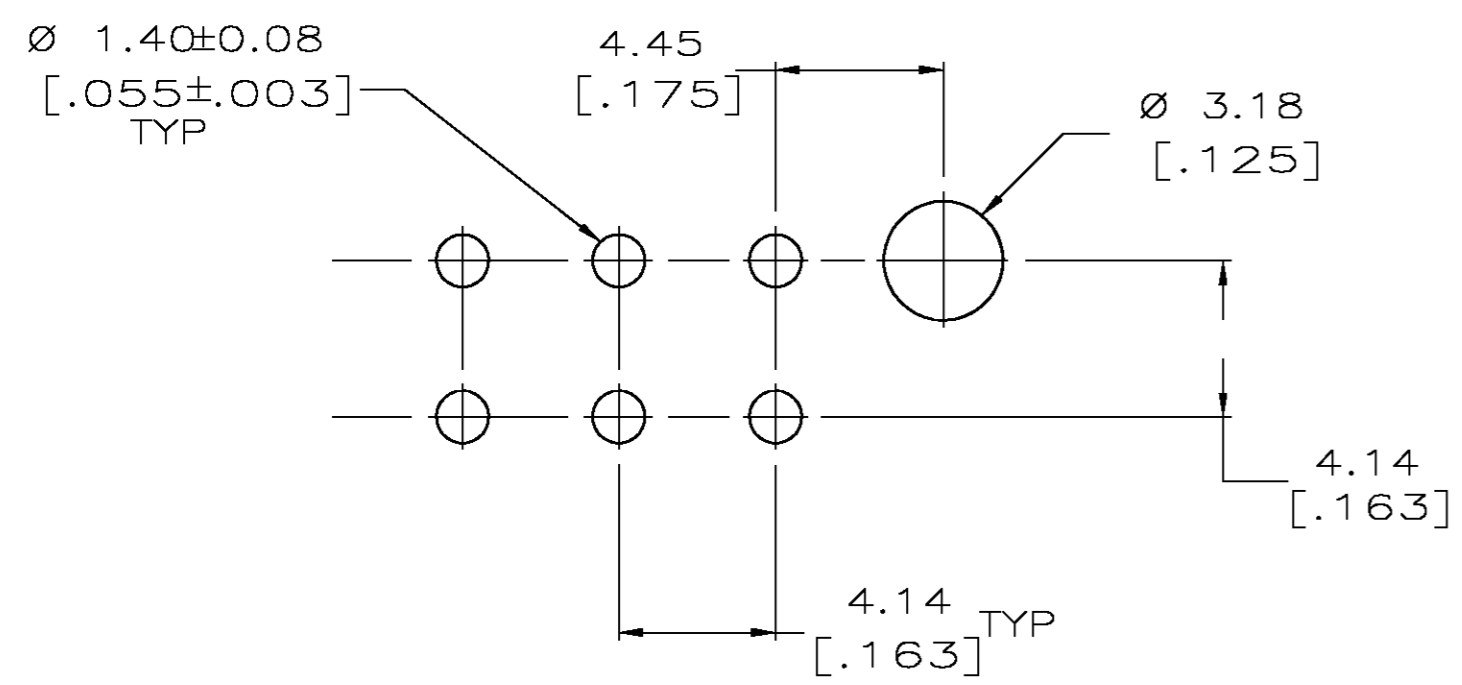
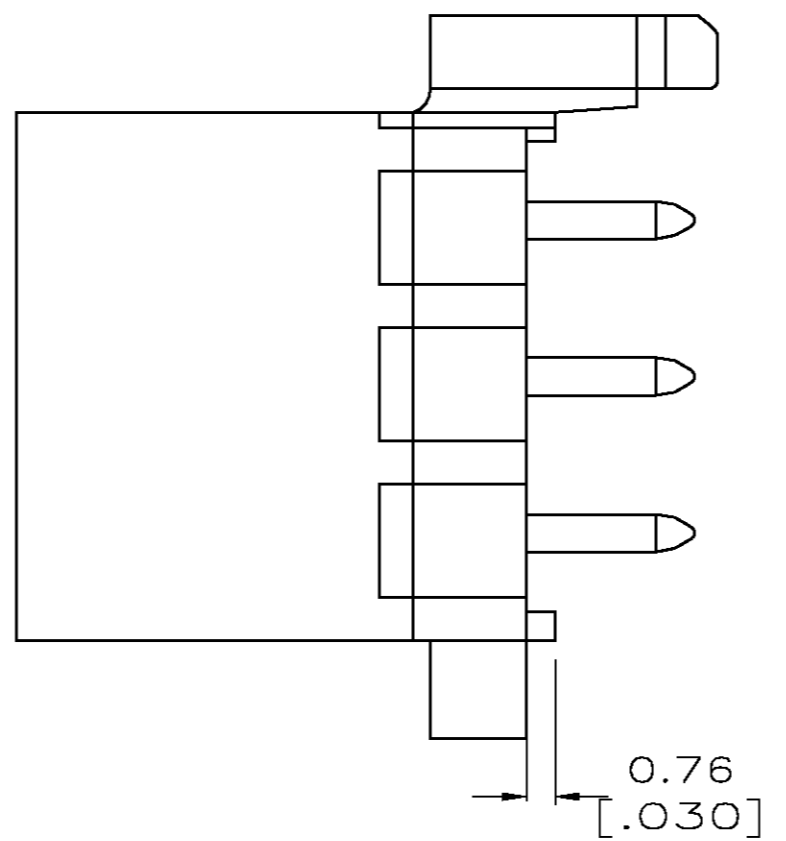
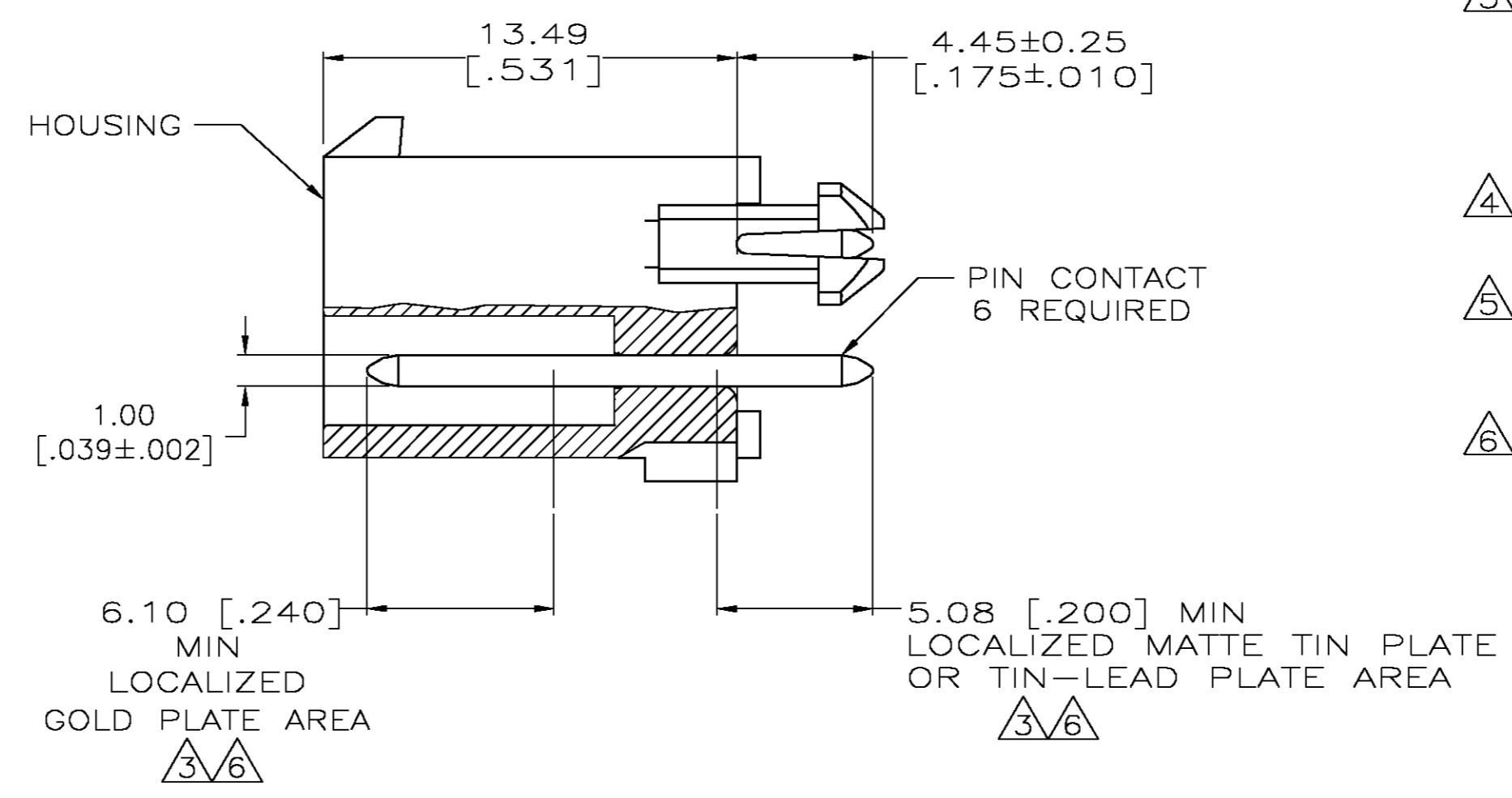
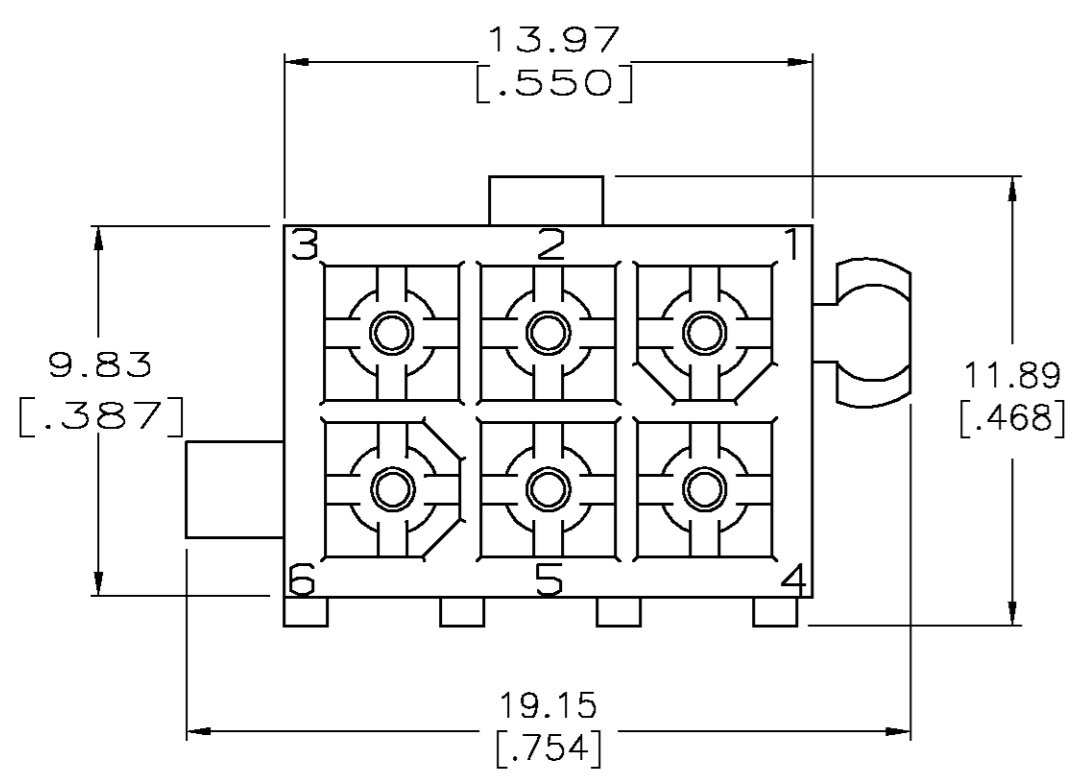


THIS DRAWING IS UNPUBLISHED. RELEASED FOR PUBLICATION
 © COPYRIGHT BY TYCO ELECTRONICS CORPORATION. ALL RIGHTS RESERVED.

LOC		DIST		REVISIONS			
P	LTR	DESCRIPTION		DATE	DWN	APVD	
CM	0	F		REVISED PER 0G3B-0211-05	6/9/05	SS RJ	

- PINS TO COMPLY WITH AMP SOLDERABILITY SPEC. 109-11-3.
- DIMENSIONS SHOWN IN BRACKETS ARE IN INCHES.
- 0.00076 [.000030] MIN GOLD PLATE IN THE LOCALIZED GOLD PLATE AREA, 0.00381 [.000150] MATTE TIN LEAD IN THE LOCALIZED TIN LEAD PLATE AREA, BOTH OVER 0.00127 [.000050] MIN NICKEL.
- 0.00381 [.000150] MATTE TIN LEAD OVER LENGTH OF PIN.
- 0.00381 [.000150] MATTE TIN OVER 0.00127 [.000050] MIN NICKEL ENTIRE LENGTH OF PIN.
- 0.00076 [.000030] MIN GOLD PLATE IN THE LOCALIZED GOLD PLATE AREA, 0.00381 [.000150] MATTE TIN IN THE LOCALIZED TIN PLATE AREA, BOTH OVER 0.00127 [.000050] MIN NICKEL.



RECOMMENDED LAYOUT FOR 1.57 [.062] THICK BOARD
 TOLERANCES NON-ACCUMULATIVE

BRASS	△6	NYLON, UL94V-0	WHITE	1-770875-1
BRASS	△5	NYLON, UL94V-0	WHITE	1-770875-0
BRASS	△3	NYLON, UL94V-0	WHITE	770875-2
BRASS	△4	NYLON, UL94V-0	WHITE	770875-1
MATERIAL	FINISH	MATERIAL	COLOR	PART NO.

THIS DRAWING IS A CONTROLLED DOCUMENT.		DWN S CARPENTER	OBJUN05	Tyco Electronics Corporation	
DIMENSIONS: mm		CHK R JONES	29JUL2003	Harrisburg, Pa 17105-3608	
TOLERANCES UNLESS OTHERWISE SPECIFIED:		APVD R JONES	29JUL2003	NAME	
0 PLC	± -	PRODUCT SPEC			
1 PLC	± -	APPLICATION SPEC			
2 PLC	± 0.13	-			
3 PLC	± -	-			
4 PLC	± -	-			
ANGLES	± -	-			
MATERIAL	FINISH	WEIGHT	-	SIZE	A2
-		-		CAGE CODE	00779
-		-		DRAWING NO	C=770875
-		-		RESTRICTED TO	-
-		-		SCALE	5:1
-		-		SHEET	1 OF 1
-		-		REV	F