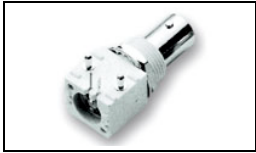


## 1-1337543-0 Product Details

[Share](#) [Print](#) [Email](#)



**1-1337543-0**

TE Internal Number: 1-1337543-0

Active

[View 3D PDF](#)

### BNC RF Connectors

Always EU RoHS/ELV Compliant (Statement of Compliance)

#### Product Highlights:

- Connector - RF
- Jack
- Connector Style = Jack
- Applies To Printed Circuit Board
- Body Style = Elbow

[View all Features](#)

### Quick Links

- ▶ [Pricing & Availability](#)
- ▶ [Search for Tooling](#)
- ▶ [Product Feature Selector](#)
- ▶ [Contact Us About This Product](#)

[Add to My Part List](#) [Request Sample](#) [Find Similar Products](#) [Buy Product](#)

### Documentation & Additional Information

#### Product Drawings:

- [BNC R/A INSULATED PCB SOCKET 50 OHM WHITE](#) (PDF, English)

#### Catalog Pages/Data Sheets:

- [ZDC\\_RF\\_COAX\\_CONNECTOR\\_SERIES\\_50&75\\_OHM](#) (PDF, English)

#### Product Specifications:

- None Available

#### Application Specifications:

- None Available

#### Instruction Sheets:

- None Available

#### CAD Files: [\(CAD Format & Compression Information\)](#)

- [2D Drawing](#) (DXF, Version E)
- [3D Model](#) (IGES, Version E)
- [3D Model](#) (STEP, Version E)

#### Related Products:

- [Tooling](#)

[List all Documents](#)

### Product Features (Please use the Product Drawing for all design activity)

#### Product Type Features:

- [Product Type](#) = Connector - RF
- [Gender](#) = Jack
- [PCB Mounting Orientation](#) = Right Angle
- [Grade](#) = Commercial
- [PCB Mount Retention](#) = With
- [PCB Mount Retention Type](#) = Solder Tail (Pin)
- [Mounting Post Style](#) = Round
- [Sealed](#) = No
- [Isolated](#) = Yes
- [Dielectric Material](#) = Polyester, PBT
- [Color](#) = White

#### Mechanical Attachment:

- [Surface Mountable](#) = No
- [Hardware Included](#) = No
- [Panel Mount Retention](#) = With
- [Panel Mount Retention Type](#) = Bulkhead, Hex Nut
- [Panel Attachment Style](#) = Rear Mount
- [Panel Cutout](#) = 12.0mm x 12.9mm D-Shape

#### Electrical Characteristics:

- [Connector Impedance \(Ω\)](#) = 50

#### Dimensions:

- [PCB Height \(mm \[in\]\)](#) = 15.80 [0.622]
- [Mounting Post Length \(mm \[in\]\)](#) = 3.80 [0.150]
- [Panel Thickness \(mm \[in\]\)](#) = 1.50 - 5.50 [0.059 - 0.217]
- [PCB Tail Length \(mm \[in\]\)](#) = 4.90 [0.193]
- [PCB Thickness, Recommended \(mm \[in\]\)](#) = 3.30 [0.130]

#### Body Features:

- [Body Style](#) = Elbow
- [Body Material](#) = Zinc
- [Body Plating](#) = Nickel
- [Body Insulation](#) = With
- [Polarized](#) = No
- [Flange and Thread Material](#) = PBT Polyester
- [Flange and Thread Material Color](#) = White

#### Contact Features:

- [Center Contact Material](#) = Brass
- [Center Contact Plating](#) = Gold

#### Housing Features:

- [Connector Style](#) = Jack
- [Housing Material](#) = PBT - GF

#### Configuration Features:

- [Number of Ports](#) = 1

#### Industry Standards:

- [Government/Industry Qualification](#) = No
- [RoHS/ELV Compliance](#) = RoHS compliant, ELV compliant
- [Lead Free Solder Processes](#) = Wave solder capable to 260°C, Wave solder capable to 240°C, Wave solder capable to 265°C
- [RoHS/ELV Compliance History](#) = Always was RoHS compliant

#### Environmental:

- [Operating Temperature \(Max.\) \(°C\)](#) = 85

#### Conditions for Usage:

- [Applies To](#) = Printed Circuit Board
- [For Use With](#) = ZDC/BNC Connector

#### Packaging Features:

- [Packaging Method](#) = Individual

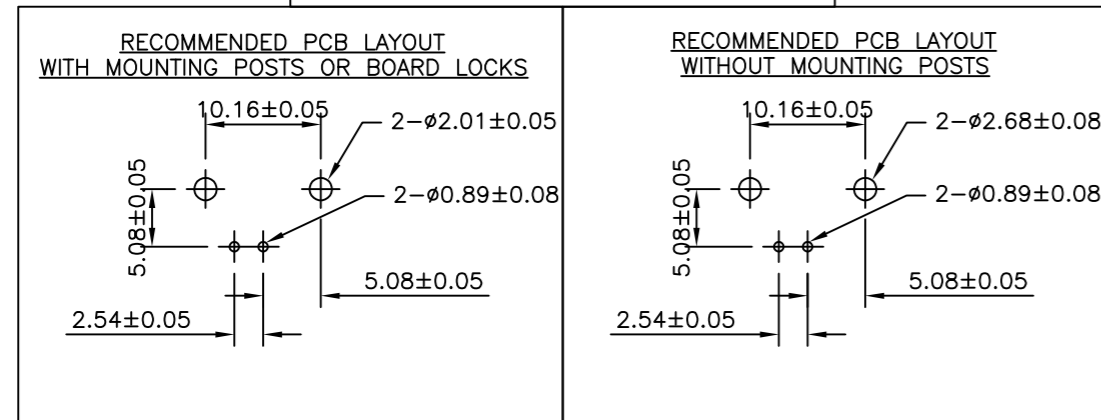
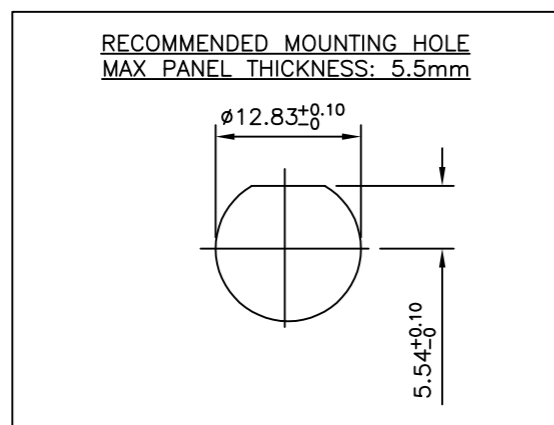
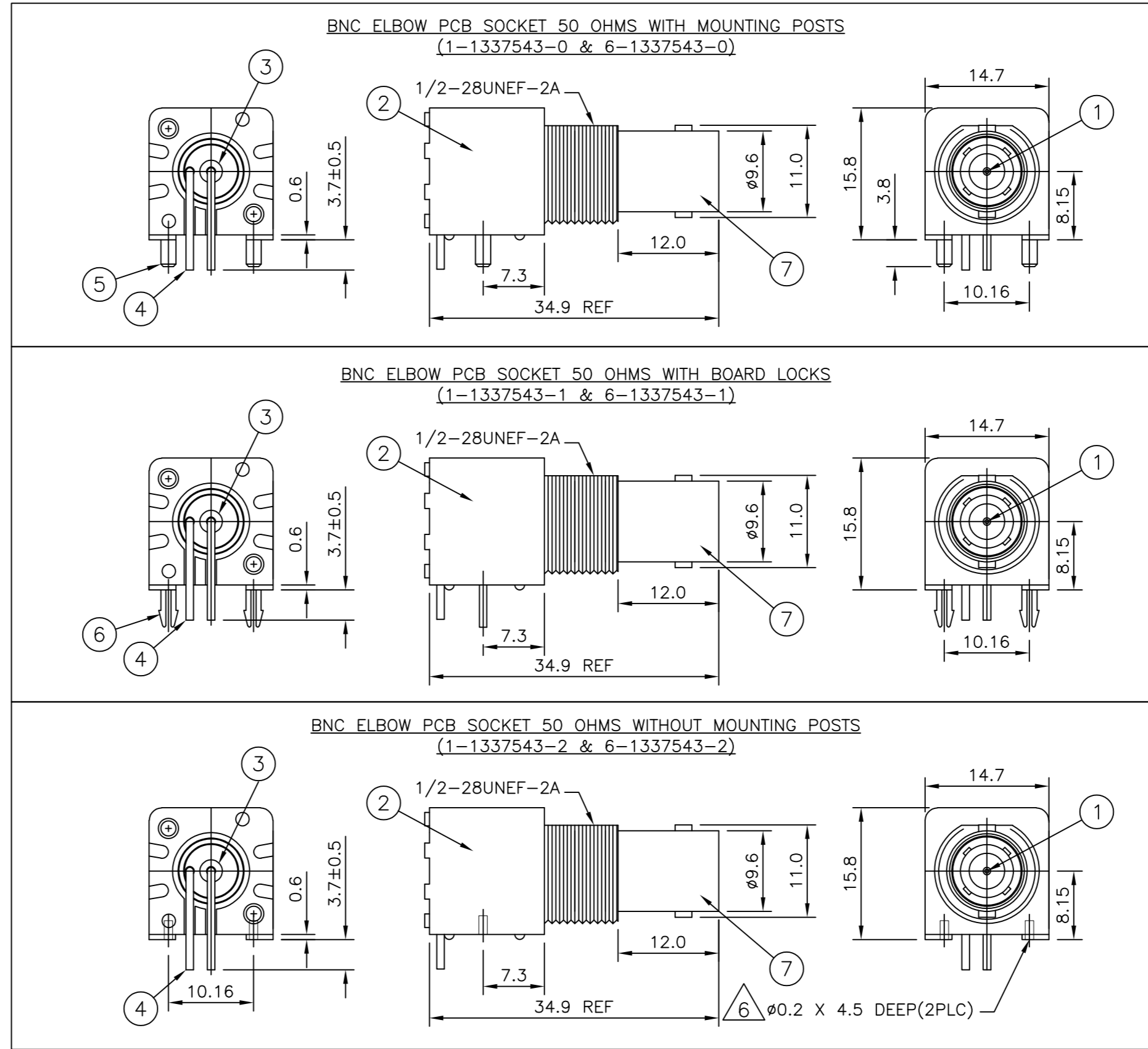
#### Other:

- [Brand](#) = Greenpar

THIS DRAWING IS UNPUBLISHED. RELEASED FOR PUBLICATION AUGUST, 2005.  
 © COPYRIGHT 2005 By - ALL RIGHTS RESERVED.

LOC		DIST		REVISIONS			
P	LTR	DESCRIPTION	DATE	DWN	APVD		
E	B						
	E1	REVISED PER ECO-11-005033	31MAR11	RK	HMR		
	F	ECO-12-014680	20Aug2012	TITAN	MARTIN		
	G	ECO-12-018113	27DEC12	TITAN	MARTIN		

- NOTES:**
- ▲ SINGLE PACK IN ACCORDANCE WITH AMP SPEC 107-3275
  - ▲ 50 TRAY PACK IN ACCORDANCE WITH AMP SPEC 107-3275
  - ▲ GOLD PLATING
  - ▲ NICKEL PLATING
  - ▲ TIN PLATING
  - ▲ RECOMMENDED SELF-TAPPING SCREW 221108-4
  - 7. RECOMMENDED MOUNT NUT 1-1634816-0
  - 8. RECOMMENDED LOCKWASHER 1-1634817-0
  - 9. FOR TECHNICAL DATA REFER TO YOUR LOCAL TE CONNECTIVITY SALES OFFICE
  - 10. ALL DIMENSIONS ARE NOMINAL FOR REFERENCE ONLY UNLESS OTHERWISE STATED



Obsolete	Obsolete	Obsolete	Obsolete	Obsolete	Obsolete	Obsolete	Obsolete	Obsolete	Obsolete	Obsolete	Obsolete	Obsolete	Obsolete	Obsolete	Obsolete	Obsolete	Obsolete	Obsolete	Obsolete	
1	1	1	1	1	1	1	1	1	1	1	1	1	1	1	1	1	1	1	1	1
-	-	2	2	-	-	2	2	BRASS	▲	BOARD LOCK	6									
-	-	-	-	-	-	2	2	BRASS	▲	MOUNTING POST	5									
1	1	1	1	1	1	1	1	BRASS	▲	SOLDER TAIL	4									
1	1	1	1	1	1	1	1	PE-606		INSULATOR	3									
1	1	1	1	1	1	1	1	PBT WHITE		HOUSING	2									
1	1	1	1	1	1	1	1	BRASS	▲	CONTACT	1									
6--2	1--2	6--1	1--1	6--0	1--0			MATERIAL		DESCRIPTION	ITEM									
▲	▲	▲	▲	▲	▲	▲	▲													

THIS DRAWING IS A CONTROLLED DOCUMENT.

DWN: RITA ZUO 14 Feb 09  
 CHK: ANSON MA 14 Feb 09  
 APVD: BOB ZHAO 14 Feb 09

TE Connectivity

BNC R/A INSULATED PCB SOCKET  
 50 OHM WHITE

108-112000

SCALE: NTS SHEET: 1 of 1 REV: G