

FEATURES AND SPECIFICATIONS

Features and Benefits

- Standard cantilever terminal
- Cantilever design provides high contact pressure
- Wiping action cleans oxides when connector is mated
- 2759 Series is Brass
- 6459 Series is Phosphor Bronze

Reference Information

Product Specification: PS-10-07
 Packaging: Bag or reel
 Tooling Information: See crimp tooling section
 UL File No.: E29179
 CSA File No.: LR19980
 Use With: 2695, 5051, 6745 and 41895 housings
 Designed In: Inches

Electrical

Voltage: 250V
 Current: 6459—4.0A
 2759—2.5A
 Contact Resistance: 20mΩ max.
 Dielectric Withstanding Voltage: 1500V
 Insulation Resistance: 50K MΩ min.

Mechanical

Wire Pull-Out Force:

Wire Gauge (AWG)	22	24	26	28	30
Pull-Out Force (lb)	10	8	6	4	3

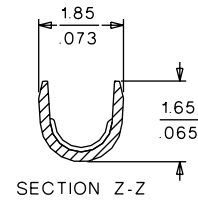
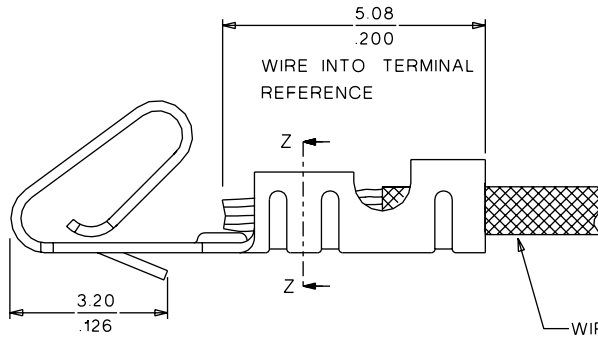
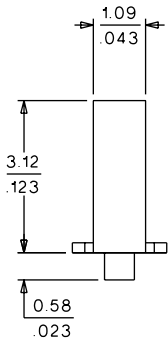
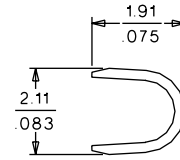
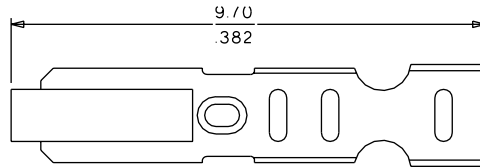
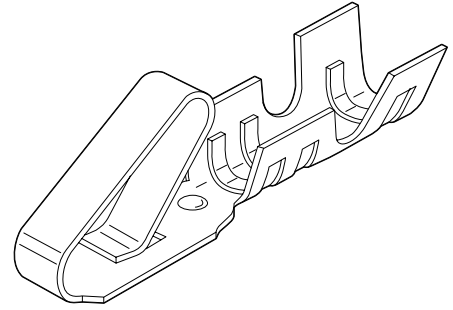
Mating Force: 255g max.
 Unmating Force: 50g min.
 Normal Force: 200g min.

Physical

Contact: 6459—Phosphor Bronze
 2759—Brass
 Plating: See Table
 Wire Accommodation: 22 to 30 AWG
 Insulation Range: 1.58mm (.062") diameter max.

molex® 2.54mm (.100") Pitch KK® Crimp Terminal

2759/6459



WIRE SHOWN FOR REFERENCE ONLY

Note: 2759 shown

ORDERING INFORMATION AND DIMENSIONS

Contact	Order No.						Wire Gauge (AWG)	Insulation OD
	Tin Plating		15μ" Gold Plating		15μ" Selective Gold Plating			
	Bag	Reel	Bag	Reel	Bag	Reel		
Brass	• 08-50-0114	• 08-50-0113	• 08-56-0110	• 08-56-0109	• 08-55-0102	• 08-55-0101	22-30	1.57 (.062)
Phosphor Bronze	• 08-52-0123	• 08-52-0101	• 08-65-0814	• 08-65-0813	• 08-65-0816	• 08-65-0815	22-30	1.57 (.062)

• US Standard Product, available through Molex franchised distributors