

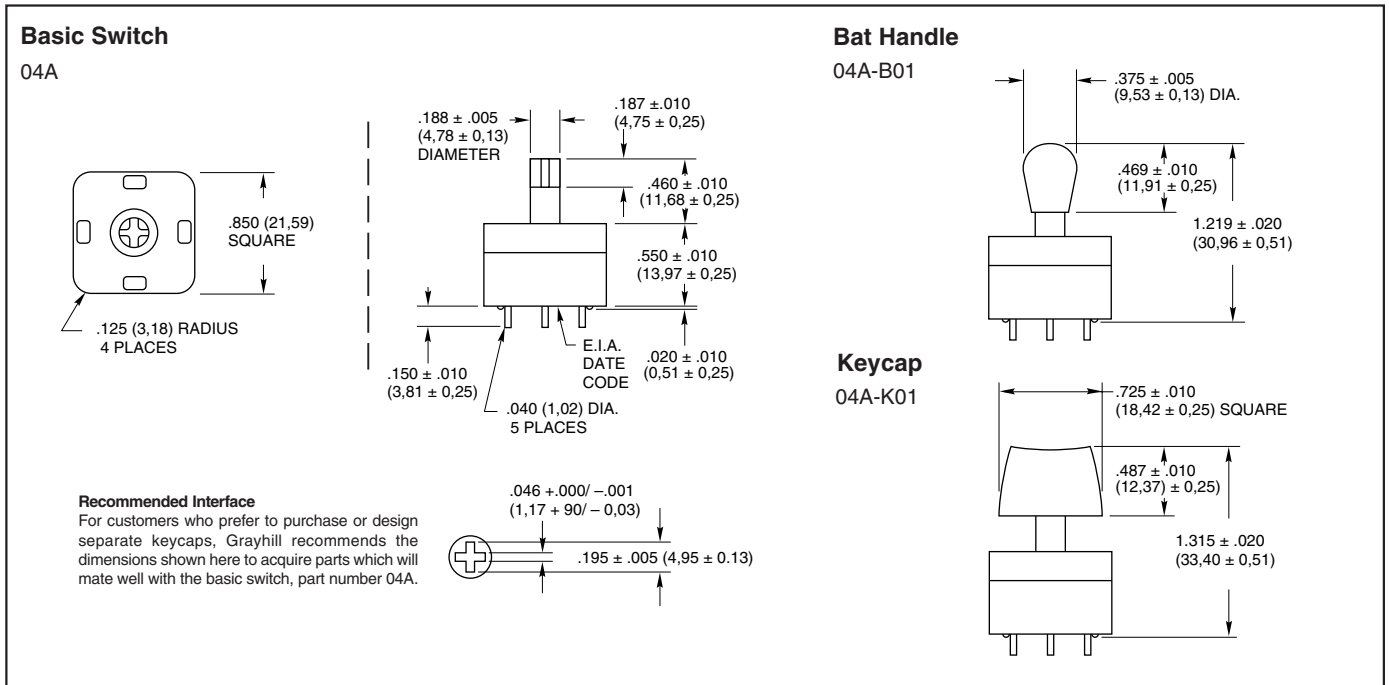
SERIES 04
4PST

FEATURES

- Joy Stick Action
- Position Locator On CRT Screens
- Moves Cursor On Menu Display



DIMENSIONS In Inches (and millimeters)



Pushbutton Switches

SPECIFICATIONS

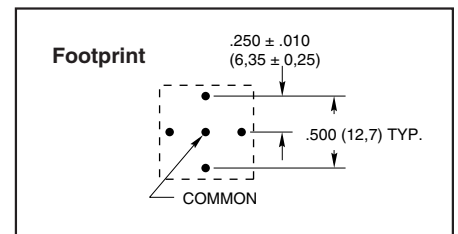
Rating Criteria

- Rated:** Make and break 250 mA at 115 Vac or 125 mA at 220 Vac resistive load for 500,000 operations
- Contact Resistance:** 25 milliohms maximum on a new switch
- Insulation Resistance:** 1,000 megohms at 100 Vdc
- Dielectric Strength:** 500 Vac RMS minimum
- Operating Temperature:** -40°C to +85°C

Materials and Finishes

- Base, Cover and Switch Actuator:** Polyester (Black)
- Terminals:** Brass, gold-plated over nickel
- Shorting Bar:** Phosphor bronze, gold-plated over nickel
- Spring:** Tinned music wire
- Keycap:** ABS or equivalent
- Bat-Handle:** ABS

CIRCUITRY



ORDERING INFORMATION

Description	Part No.
Basic Switch	04A
Switch with Arrowhead Keycap	04A-K01
Switch with Bat-Handle	04A-B01*

*Shipped with bat handle permanently attached.

Available from your local Grayhill Distributor.
For prices and discounts, contact a local Sales Office, an authorized local Distributor or Grayhill.