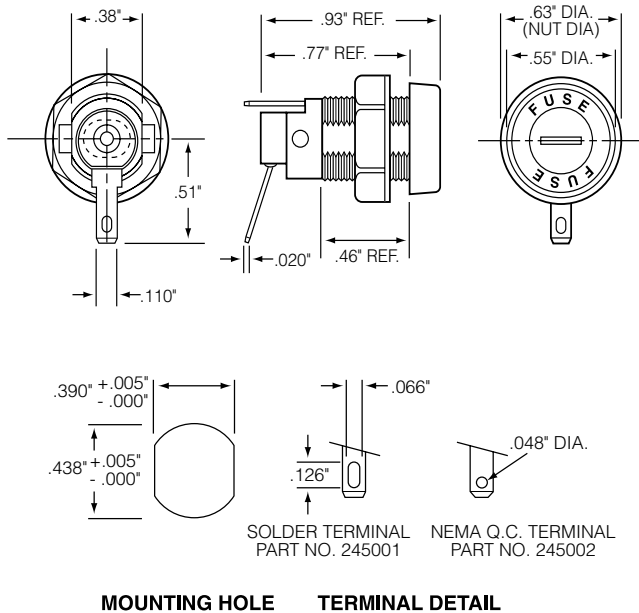


245 Series Shock-Safe Fuse Holders for 2AG Fuses



Dimensions



Product Characteristics

Compatible Fuse Size	2AG
Features	Screwdriver slot knob style provides low profile Shock-Safe design reduces possibility of electrical shock, per IEC Standards 60127 and 60065
Electrical	Rated at 10 amperes for any voltage up to 300 volts. Insulation Resistance: 10,000 megohm minimum at 500 VDC. Contact Resistance: Less than .005 ohm average at currents up to 1 ampere.
Dielectric Strength	4000 volts terminal to panel, 3000 volts terminal to terminal. Mounting: Withstands 10 lb.-in. mounting torque. Maximum panel thickness is 250"
Molded Parts	Body, knob, and hex nut material: Black, glass reinforced thermoplastic.
Knob	Screwdriver slot, fuse extractor type with nickel-plated, beryllium copper insert. Stainless steel spring.
Terminals	Brass. Tin-plated. Solder/Q.C. Terminals accept soldered wire or a .110" quick-connect receptacle. The NEMA-style .110" Q.C. terminal has a .048" hole.
Ambient Temperature	-40°C to +85°C.

Agency Approval

Agency	Agency File Number
	E14721
	007316

Ordering Information

Catalog Number	Type of Terminal
245 001	Solder/Q.C. Terminal
245 002	NEMA Q.C. Terminal

Additional Information



Datasheet



Resources



Samples