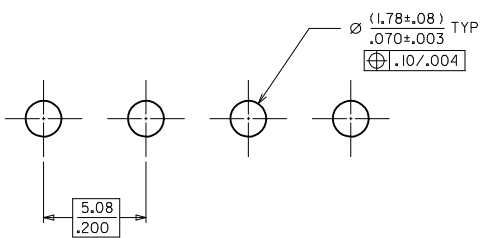
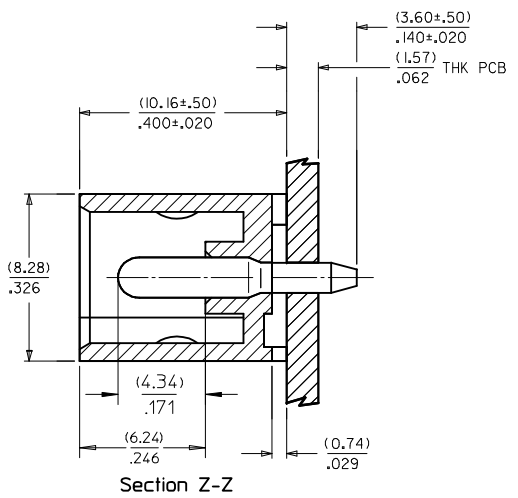
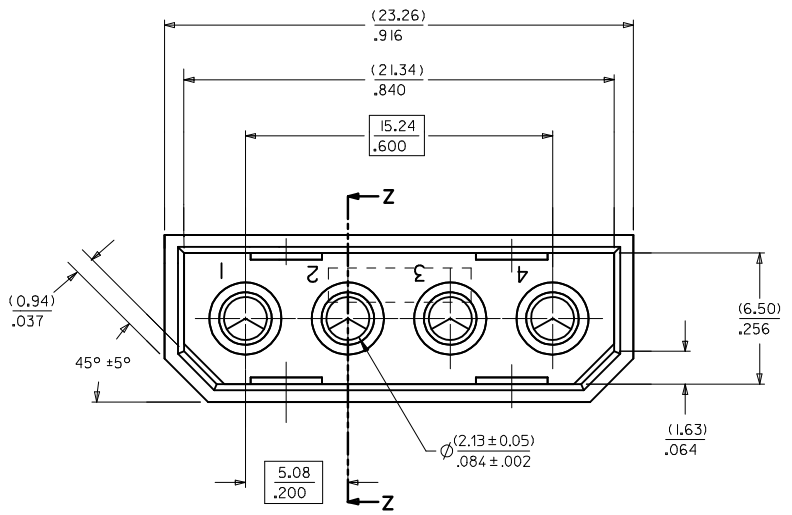


MAT'L NO.	ENG NO.
15-24-4449	A-8981-4V-LF



RECOMMENDED P C B HOLE LAYOUT

NOTES:

- PART TO MATE WITH HOUSING 8981-4P AND TERMINAL 8980-3\*.
- PRODUCT SPEC. PS -8981-4V\* APPLIES

MATERIAL :

HOUSING : NYLON 6/6. UNFILLED, 94V-2. COLOR - BEIGE.  
 TERMINAL : PHOSPHOR BRONZE, C51000  
 PLATING : POSTPLATE (0.00254)/.000100 MIN. TIN OVER  
 (0.00127)/.000050 MIN. NICKEL OVERALL

<b>UPDATES VIEW</b> EC NO: S2009-0150 DRWN:SKANG 2008/09/19 CHKD:ATSEE 2008/09/19 APPR:MLONG 2008/09/19	QUALITY SYMBOLS	GENERAL TOLERANCES (UNLESS SPECIFIED)	DIMENSION STYLE	SCALE	DESIGN UNITS	THIRD ANGLE PROJECTION															
	$\nabla=0$ $\square=0$	<table border="1"> <tr> <th></th> <th>mm</th> <th>INCH</th> </tr> <tr> <td>4 PLACES</td> <td>± ---</td> <td>± ---</td> </tr> <tr> <td>3 PLACES</td> <td>± ---</td> <td>± .008</td> </tr> <tr> <td>2 PLACES</td> <td>± 0.20</td> <td>± ---</td> </tr> <tr> <td>1 PLACE</td> <td>± ---</td> <td>± ---</td> </tr> </table>		mm	INCH	4 PLACES	± ---	± ---	3 PLACES	± ---	± .008	2 PLACES	± 0.20	± ---	1 PLACE	± ---	± ---	MM/IN	NTS	METRIC	
		mm	INCH																		
	4 PLACES	± ---	± ---																		
3 PLACES	± ---	± .008																			
2 PLACES	± 0.20	± ---																			
1 PLACE	± ---	± ---																			
DESCRIPTION	ANGULAR ± 3 °	DRAWN BY TAY DATE 1989/05/26	TITLE	HEADER, 4 CKTS VERTICAL MOUNT																	
REV L1	DRAFT WHERE APPLICABLE MUST REMAIN WITHIN DIMENSIONS	CHECKED BY NK DATE 1989/05/26	APPROVED BY AB DATE 1989/05/26	MOLEX INCORPORATED																	
		MATERIAL NO. SEE TABLE	DOCUMENT NO. SDA-8981-4V	SHEET NO. 1 OF 1																	
		THIS DRAWING CONTAINS INFORMATION THAT IS PROPRIETARY TO MOLEX INCORPORATED AND SHOULD NOT BE USED WITHOUT WRITTEN PERMISSION																			