

**NOTES:**

**1. MATERIAL:**

- CAGE: NICKEL SILVER, THICKNESS: 0.25mm
- CONNECTOR HOUSING: GLASS FILLED HIGH TEMP PLASTIC, 94 V-0
- COLOR: BLACK
- OVERMOLDED TERMINAL HOUSING: GLASS FILLED HIGH TEMP PLASTIC, 94 V-0, COLOR: BLACK
- TERMINALS: TIN BRASS
- LIGHT PIPES: POLYCARBONITE, 94 V-0, COLOR: CLEAR
- LIGHT PIPE HOUSING: ZINC

**2. FINISH:**

- LIGHT PIPE HOUSING: 150 MICRONS NICKEL OVER 150 MICRONS COPPER
- TERMINALS: CONTACT AREA: 0.76 MICROS MIN. HARD GOLD OVER 1.27 MICRONS NICKEL.
- COMPLIANT TAIL - TIN/LEAD OPTION: 0.76 - 1.52 MICRONS 90/10 TIN/LEAD OVER 0.76 - 1.52 MICRONS NICKEL
- COMPLIANT TAIL - TIN OPTION: 0.76 - 1.52 MICRONS TIN OVER 0.76 - 1.52 MICRONS NICKEL

**3. REFER TO PS-75310-001 PRODUCT SPEC FOR ALL ELECTRICAL, MECHANICAL AND ENVIRONMENTAL SPECIFICATIONS.**

**4. LIGHT PIPE PAD LAYOUT IS FOR 0805 LOW-PROFILE LED PACKAGE, FOR OTHER RECOMMENDED LAYOUTS REFER TO MOLEX'S REPORT TS-75310-001.**

**5. REFER TO PK-75714-001 FOR ALL PACKAGING SPECIFICATIONS.**

757595001	TIN
757590001	TIN / LEAD
MATERIAL NO.	TERMINAL PLATING

QUALITY GENERAL TOLERANCES SYMBOLS (UNLESS SPECIFIED)

	mm	INCH
4 PLACES ± ---	± ---	± ---
3 PLACES ± ---	± ---	± ---
2 PLACES ± 0.13	± ---	± ---
1 PLACE ± 0.25	± ---	± ---
ANGULAR ± 5 °		

DIMENSION STYLE  
MM ONLY

SCALE  
3:1

DESIGN UNITS  
METRIC

THIRD ANGLE PROJECTION

DRAWN BY	DATE
JLONG	01-28-2005
CHECKED BY	DATE
JLONG	01-28-2005
APPROVED BY	DATE
RNELSON	02-15-2005

**STACKED SFP 2X2 MEDIUM HEIGHT ASS'Y, PRESS-FIT TAIL WITHOUT LIGHT PIPES**

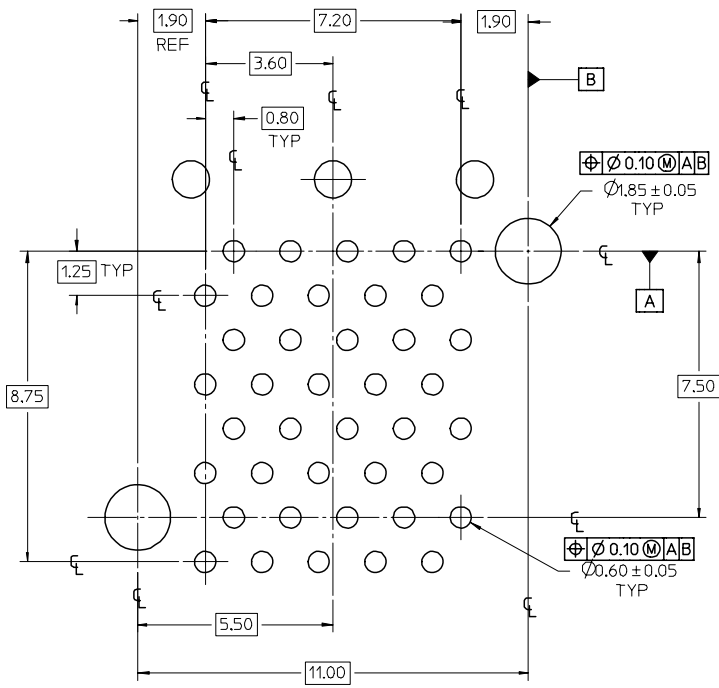
**MOLEX INCORPORATED**

DRAFT WHERE APPLICABLE MUST REMAIN WITHIN DIMENSIONS

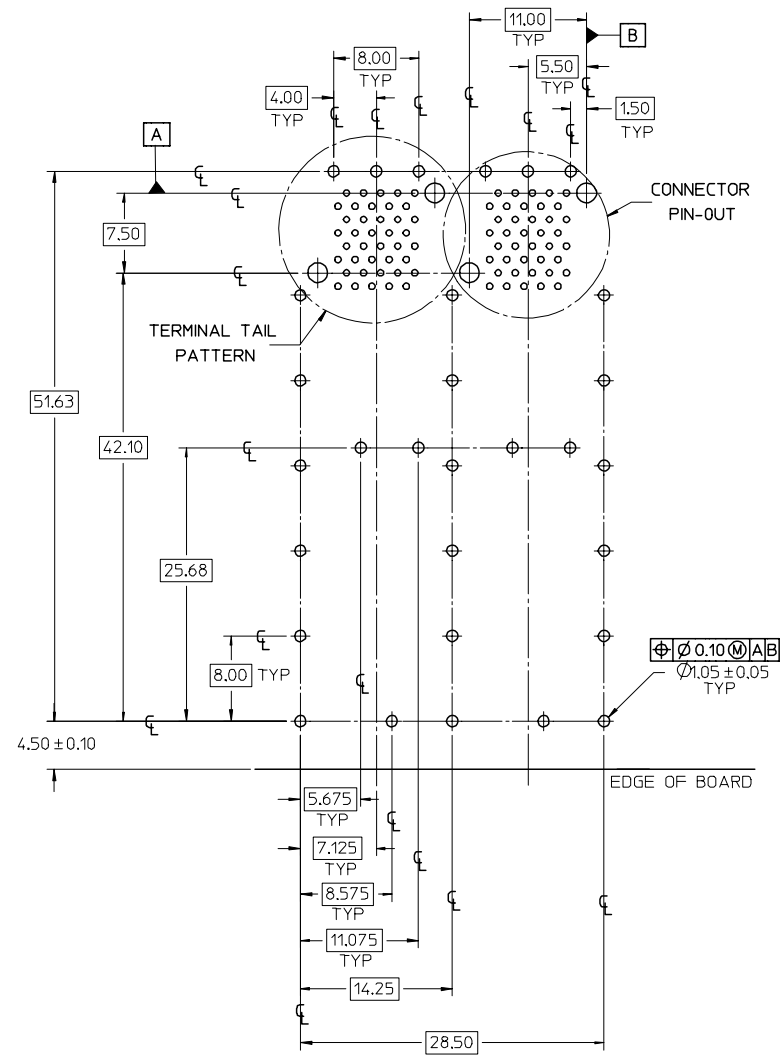
SEE CHART

MATERIAL NO. SD-75759-001  
DOCUMENT NO.  
SHEET NO. 1 OF 3

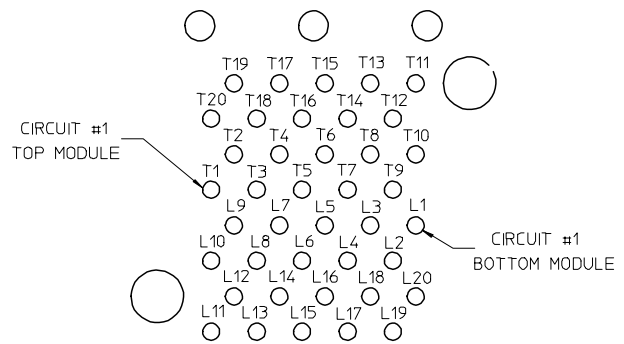
ADDED TIN PLATING	DESCRIPTION
EC NO: UCP2006-0126	
DRWN: JLONG	2005/08/19
CHKD: JLONG	2005/08/19
APPR: RNELSON	2005/08/19



TERMINAL TAIL PATTERN  
SCALE 10:1



RECOMMENDED PCB LAYOUT  
FOR 2X2 SFP CONNECTOR ASSEMBLY  
COMPONENT SIDE  
RECOMMENDED PCB THICKNESS 2.36MM



CONNECTOR PIN-OUT  
COMPONENT SIDE OF BOARD

SEE SHEET 1 FCC NO: UCP2006-0426 DRAWN: JLONG CHKCD: JLONG APPR: RNELSON REV:	QUALITY SYMBOLS ▽=0 ▽=0	GENERAL TOLERANCES (UNLESS SPECIFIED)		DIMENSION STYLE MM ONLY		SCALE 3:1	DESIGN UNITS METRIC	THIRD ANGLE PROJECTION	
		4 PLACES ± --- ± ---	mm INCH	DRAWN BY JLONG	DATE 01-28-2005	TITLE STACKED SFP 2X2 MEDIUM HEIGHT ASS'Y, PRESS-FIT TAIL WITHOUT LIGHT PIPES	MOLEX INCORPORATED MATERIAL NO. SD-75759-001 DOCUMENT NO.		
		3 PLACES ± --- ± ---	2 PLACES ± 0.13 ± ---	CHECKED BY JLONG	DATE 01-28-2005				
		1 PLACE ± 0.25 ± ---	ANGULAR ± 5 °	APPROVED BY RNELSON	DATE 02-15-2005	SHEET NO. 2 OF 3			

DRAFT WHERE APPLICABLE MUST REMAIN WITHIN DIMENSIONS

THIS DRAWING CONTAINS INFORMATION THAT IS PROPRIETARY TO MOLEX INCORPORATED AND SHOULD NOT BE USED WITHOUT WRITTEN PERMISSION

13 12 11 10 9 8 7 6 5 4 3 2 1

J J

I I

H H

G G

F F

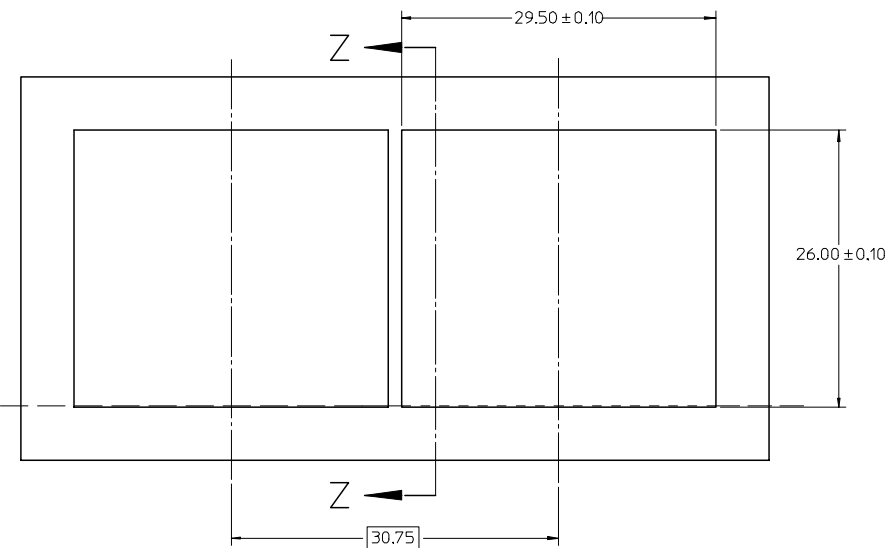
E E

D D

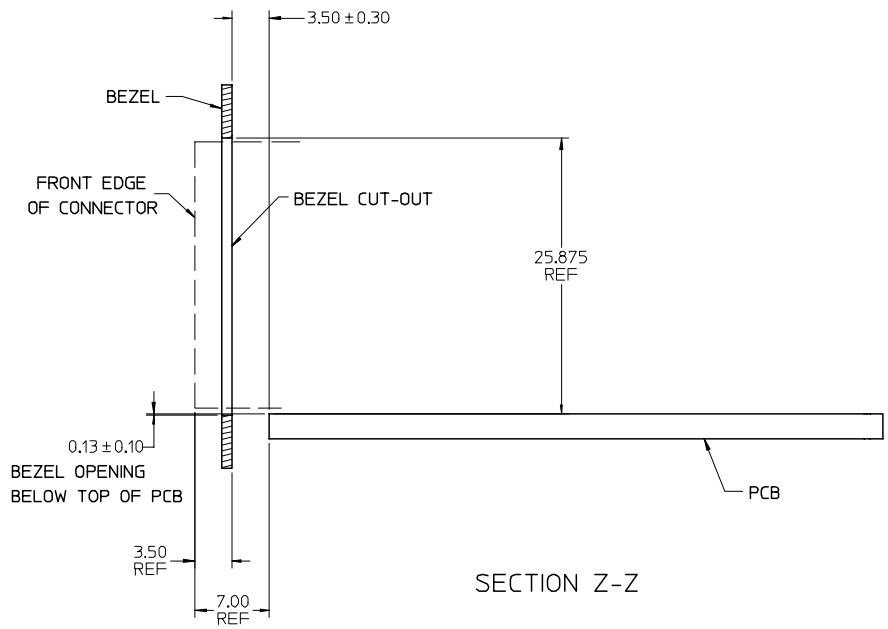
C C

B B

A A



BEZEL CUT-OUT CENTER SPACING DETAIL  
BEZEL THICKNESS: 0.8 - 2.6



SECTION Z-Z

SEE SHEET 1 FC NO: UCP2006-0126 2005/08/19 DRAWN: JLONG CHKD: JLONG 2005/08/19 APPR: RNELSON 2005/08/19 REV:	QUALITY SYMBOLS	GENERAL TOLERANCES (UNLESS SPECIFIED)		DIMENSION STYLE MM ONLY		SCALE 3:1	DESIGN UNITS METRIC	THIRD ANGLE PROJECTION
	$\nabla=0$ $\sphericalangle=0$	mm	INCH	DRAWN BY JLONG	DATE 01-28-2005	TITLE STACKED SFP 2X2 MEDIUM HEIGHT ASS'Y, PRESS-FIT TAIL WITHOUT LIGHT PIPES		
		4 PLACES ± ---	± ---	CHECKED BY JLONG	DATE 01-28-2005	MATERIAL NO. RNELSON		
		3 PLACES ± ---	± ---	APPROVED BY RNELSON	DATE 02-15-2005	DOCUMENT NO. SD-75759-001		
	2 PLACES ± 0.13	± ---	DRAFT WHERE APPLICABLE MUST REMAIN WITHIN DIMENSIONS		SEE CHART		SHEET NO. 3 OF 3	
	1 PLACE ± 0.25	± ---	ANGULAR ± 5 °		THIS DRAWING CONTAINS INFORMATION THAT IS PROPRIETARY TO MOLEX INCORPORATED AND SHOULD NOT BE USED WITHOUT WRITTEN PERMISSION			

12 11 10 9 8 7 6 5 4 3 2 1