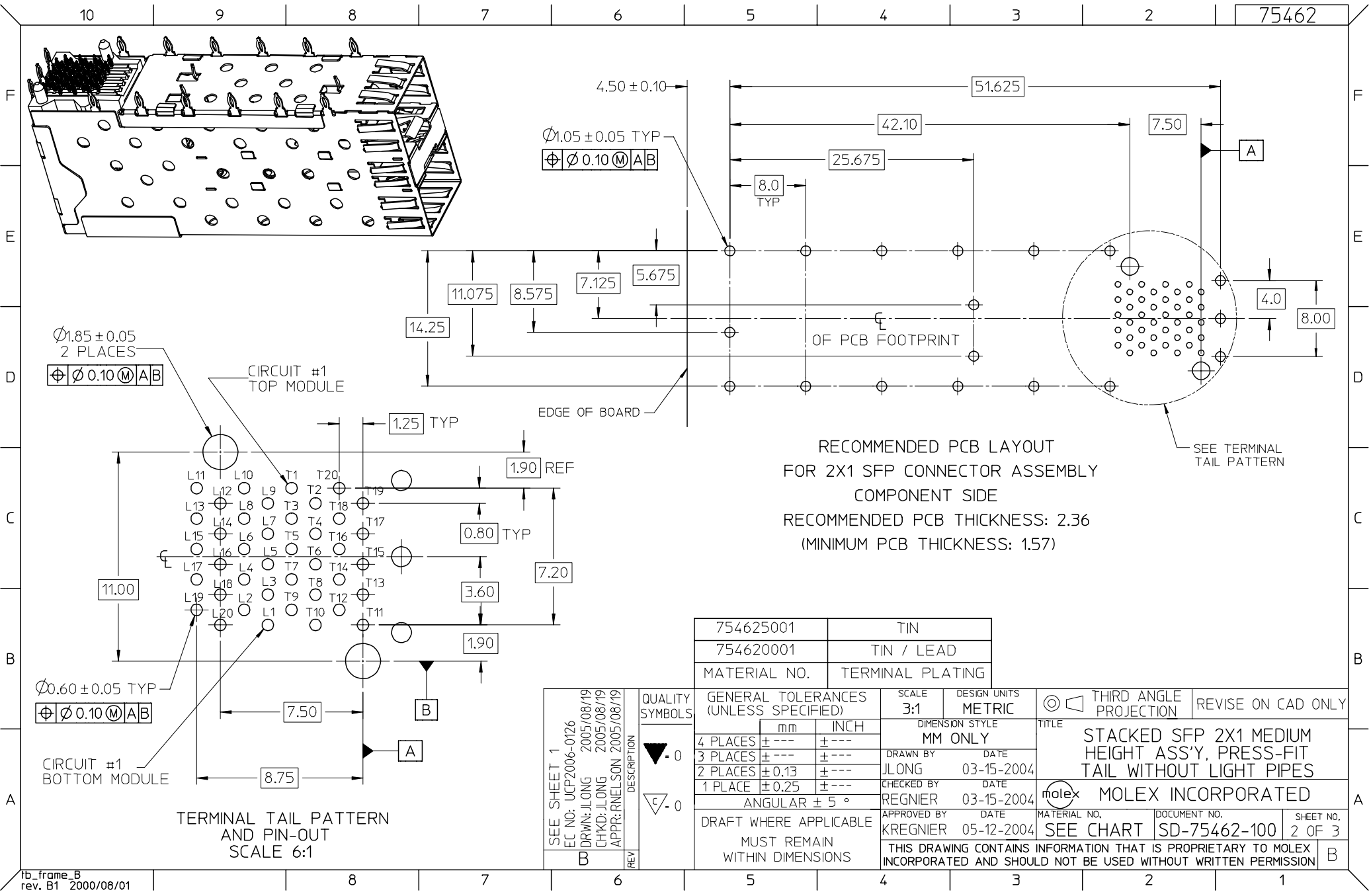


- NOTES:
- MATERIAL:
    - CAGE: NICKEL SILVER; THICKNESS: 0.25MM
    - SFP HOUSING: GLASS FILLED HIGH TEMP PLASTIC, UL: 94 V-0, COLOR: BLACK
    - OVER-MOLDED TERMINALS: GLASS FILLED HIGH TEMP PLASTIC, UL: 94 V-0, COLOR: BLACK
    - TERMINALS: BRASS
  - FINISH:
    - TERMINALS:
      - CONTACT AREA: 0.76 MICRONS MIN. HARD GOLD OVER 1.27 MICRONS MIN. NICKEL.
      - COMPLIANT TAIL - TIN/LEAD OPTION: 0.76 - 1.52 MICRONS 90/10 TIN/LEAD OVER 0.76 - 1.52 MICRONS NICKEL.
      - COMPLIANT TAIL - TIN OPTION: 0.76 - 1.52 MICRONS TIN OVER 0.76 - 1.52 MICRONS NICKEL.
  - REFER TO PS-75310-001 FOR ALL ELECTRICAL, MECHANICAL AND ENVIRONMENTAL SPECIFICATIONS.
  - REFER TO PK-75462-001 FOR ALL PACKAGING SPECIFICATIONS.

ADDED TIN PLATE EC NO: UCP2006-0126 DRWN: JLONG 2005/08/19 CHKD: JLONG 2005/08/19 APPR: RNELSON 2005/08/19	QUALITY SYMBOLS	GENERAL TOLERANCES (UNLESS SPECIFIED) <table border="1"> <thead> <tr> <th></th> <th>mm</th> <th>INCH</th> </tr> </thead> <tbody> <tr> <td>4 PLACES</td> <td>± ---</td> <td>± ---</td> </tr> <tr> <td>3 PLACES</td> <td>± ---</td> <td>± ---</td> </tr> <tr> <td>2 PLACES</td> <td>± 0.13</td> <td>± ---</td> </tr> <tr> <td>1 PLACE</td> <td>± 0.25</td> <td>± ---</td> </tr> </tbody> </table> ANGULAR ± 5 °		mm	INCH	4 PLACES	± ---	± ---	3 PLACES	± ---	± ---	2 PLACES	± 0.13	± ---	1 PLACE	± 0.25	± ---	SCALE 3:1	DESIGN UNITS METRIC	THIRD ANGLE PROJECTION	REVISE ON CAD ONLY
			mm	INCH																	
	4 PLACES		± ---	± ---																	
	3 PLACES		± ---	± ---																	
2 PLACES	± 0.13	± ---																			
1 PLACE	± 0.25	± ---																			
DESCRIPTION	DIMENSION STYLE MM ONLY	TITLE STACKED SFP 2X1 MEDIUM HEIGHT ASS'Y, PRESS-FIT TAIL WITHOUT LIGHT PIPES	DRAWN BY JLONG	DATE 03-15-2004	MOLEX INCORPORATED																
REV	DRAFT WHERE APPLICABLE MUST REMAIN WITHIN DIMENSIONS	CHECKED BY REGNIER	DATE 03-15-2004	MATERIAL NO. SEE CHART	DOCUMENT NO. SD-75462-100	SHEET NO. 1 OF 3															
		THIS DRAWING CONTAINS INFORMATION THAT IS PROPRIETARY TO MOLEX INCORPORATED AND SHOULD NOT BE USED WITHOUT WRITTEN PERMISSION																			



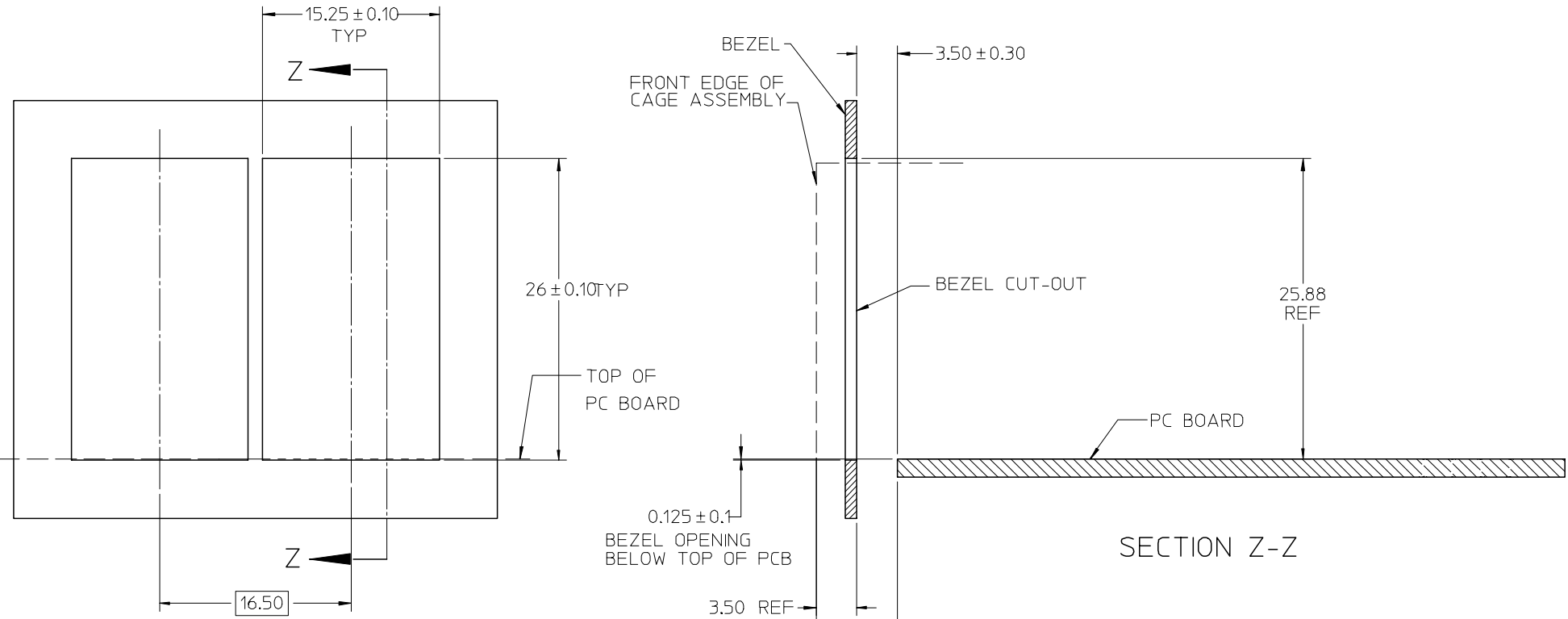
RECOMMENDED PCB LAYOUT  
 FOR 2X1 SFP CONNECTOR ASSEMBLY  
 COMPONENT SIDE  
 RECOMMENDED PCB THICKNESS: 2.36  
 (MINIMUM PCB THICKNESS: 1.57)

TERMINAL TAIL PATTERN  
 AND PIN-OUT  
 SCALE 6:1

754625001	TIN
754620001	TIN / LEAD
MATERIAL NO.	TERMINAL PLATING

SEE SHEET 1	QUALITY SYMBOLS
EC NO: UCP2006-0126	▽ - 0
DRWN: JLONG 2005/08/19	▽ - 0
CHKD: JLONG 2005/08/19	
APPR: RNELSON 2005/08/19	
REV	DESCRIPTION

GENERAL TOLERANCES (UNLESS SPECIFIED)		SCALE 3:1	DESIGN UNITS METRIC	THIRD ANGLE PROJECTION	REVISE ON CAD ONLY
4 PLACES	± ---	DIMENSION STYLE MM ONLY		TITLE	
3 PLACES	± ---	DRAWN BY	DATE	STACKED SFP 2X1 MEDIUM HEIGHT ASS'Y, PRESS-FIT TAIL WITHOUT LIGHT PIPES	
2 PLACES	± 0.13	JLONG	03-15-2004	MOLEX INCORPORATED	
1 PLACE	± 0.25	CHECKED BY	DATE	MATERIAL NO. SEE CHART	
ANGULAR ± 5 °		REGNIER	03-15-2004	DOCUMENT NO.	SD-75462-100
DRAFT WHERE APPLICABLE		APPROVED BY	DATE	SHEET NO. 2 OF 3	
MUST REMAIN WITHIN DIMENSIONS		KREGNIER	05-12-2004	THIS DRAWING CONTAINS INFORMATION THAT IS PROPRIETARY TO MOLEX INCORPORATED AND SHOULD NOT BE USED WITHOUT WRITTEN PERMISSION	



BEZEL CUT-OUT CENTER SPACING DETAIL  
BEZEL THICKNESS 0.8 - 2.6

SEE SHEET 1	EC NO: UCP2006-0126 DRWN: JLONG 2005/08/19 CHKD: JLONG 2005/08/19 APPR: RNELSON 2005/08/19	QUALITY SYMBOLS	GENERAL TOLERANCES (UNLESS SPECIFIED)		SCALE 3:1	DESIGN UNITS METRIC	THIRD ANGLE PROJECTION	REVISE ON CAD ONLY		
				mm	INCH	DIMENSION STYLE MM ONLY		TITLE		
			4 PLACES ± --- ± ---	3 PLACES ± --- ± ---	2 PLACES ± 0.13 ± ---	1 PLACE ± 0.25 ± ---	DRAWN BY JLONG	DATE 03-15-2004	STACKED SFP 2X1 MEDIUM HEIGHT ASS'Y, PRESS-FIT TAIL WITHOUT LIGHT PIPES	
			ANGULAR ± 5 °		DRAFT WHERE APPLICABLE MUST REMAIN WITHIN DIMENSIONS		CHECKED BY REGNIER	DATE 03-15-2004	MOLEX INCORPORATED	
					APPROVED BY KREGNIER	DATE 05-12-2004	MATERIAL NO. SEE CHART	DOCUMENT NO. SD-75462-100	SHEET NO. 3 OF 3	
THIS DRAWING CONTAINS INFORMATION THAT IS PROPRIETARY TO MOLEX INCORPORATED AND SHOULD NOT BE USED WITHOUT WRITTEN PERMISSION										