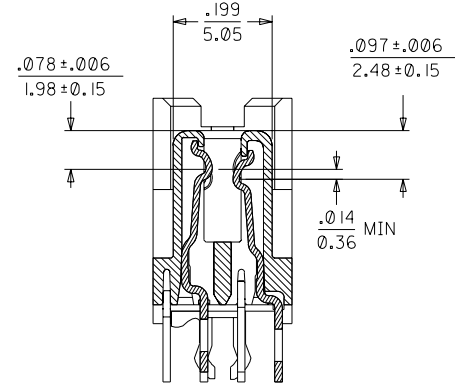
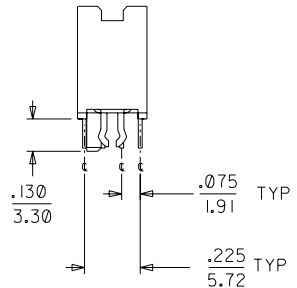
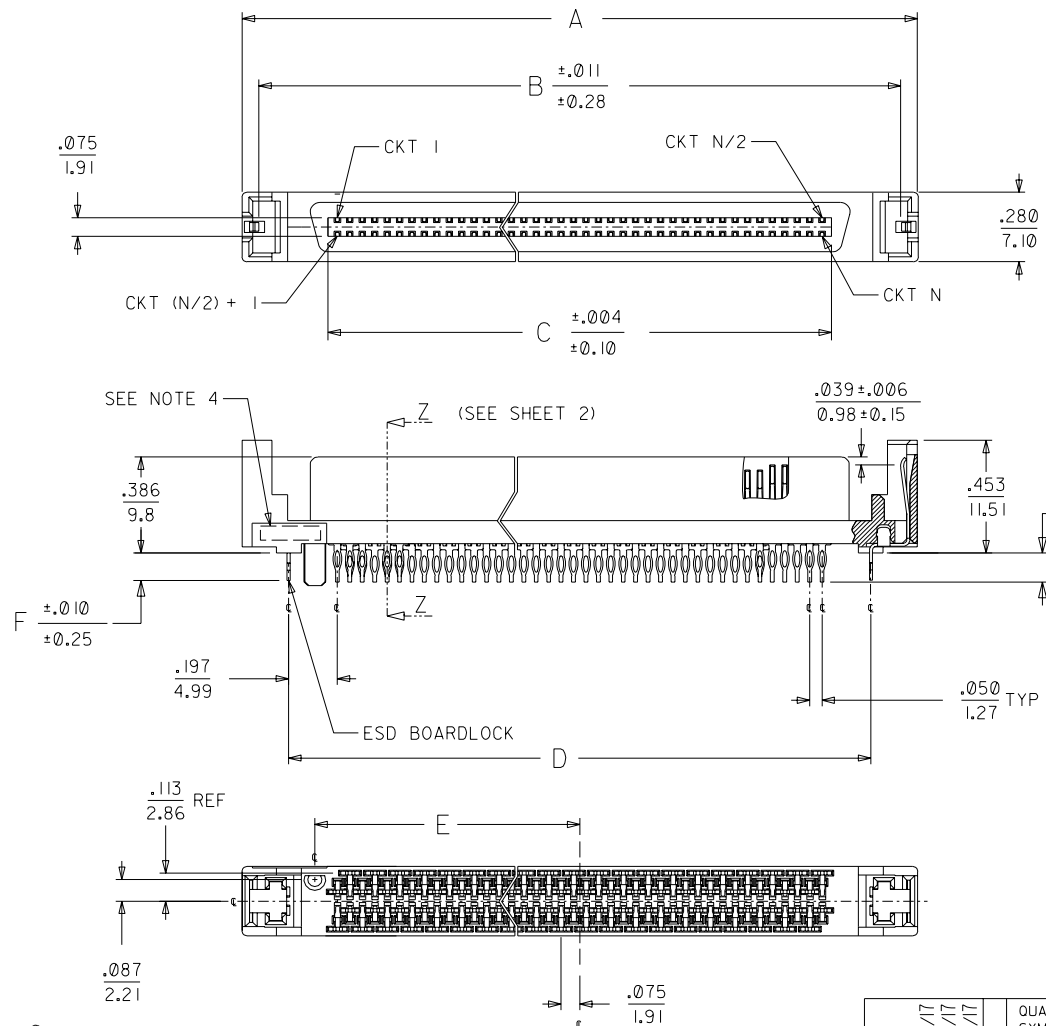
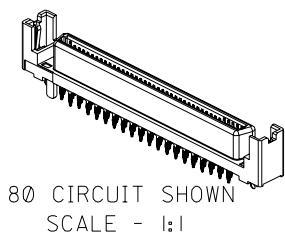


NOTES:

- MATERIAL:  
HOUSING: I.R. COMPATIBLE POLYMER, GLASS FILLED, UL 94 V 0, BLACK  
TERMINALS: COPPER ALLOY  
BOARDLOCK: COPPER ALLOY
- FINISH:  
TERMINALS: SELECTIVE GOLD IN CONTACT AREA  
THICKNESS = 30 MICROINCHES / 0.763 MICROMETERS  
SELECTIVE TIN-LEAD IN TAIL AREA  
THICKNESS = 100 MICROINCHES / 2.54 MICROMETERS  
NICKEL UNDERPLATE OVERALL.  
ESD BOARDLOCK:  
TIN-LEAD OVERALL.
- PRODUCT SPECIFICATION: PS-73826-0000
- FOUR DIGIT DATE CODE IN THIS LOCATION (WK YR).
- CONTACT GAP WILL ACCOMMODATE MATING CONNECTOR OF:  
.063+/- .003 (1.60+/- 0.08)

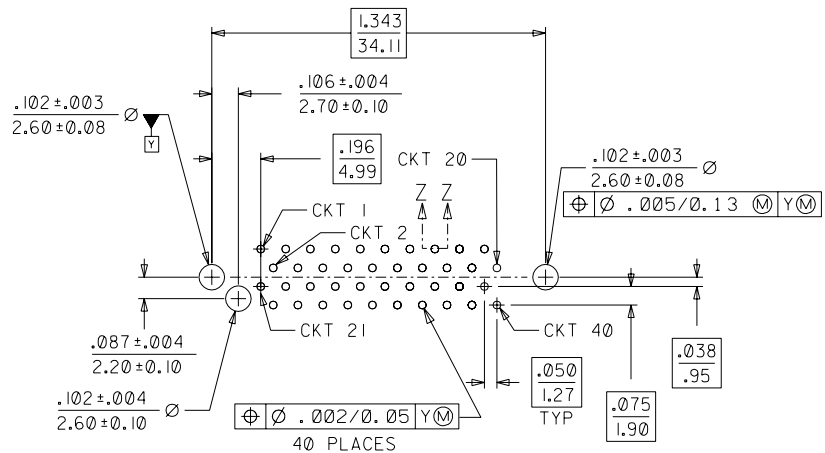


SECTION Z-Z  
SCALE - 4:1

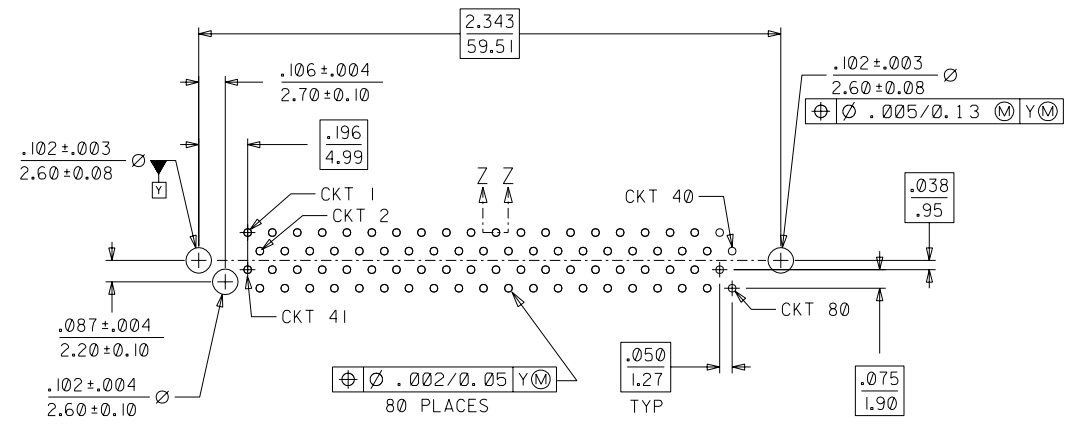


ADDED VIEW SH12 EC NO. UCP2004-1143 DRWNR: WHITE 03/12/17 CHK: BBARKER 03/12/17 APPR: SMILLER 03/12/17	QUALITY SYMBOLS MAJOR $\nabla = 0$ CRITICAL $\nabla C = 0$	GENERAL TOLERANCES: (UNLESS SPECIFIED)		SCALE 2:1	DESIGN UNITS <input type="checkbox"/> mm <input checked="" type="checkbox"/> INCH	THIRD ANGLE PROJECTION	DIMENSIONS: <input type="checkbox"/> mm <input checked="" type="checkbox"/> INCH <input type="checkbox"/> mm ONLY			SHT	REV	
		4 PLACES ±0.	±.	DRAWN BY & DATE ACHAMMER 97/12/09	TITLE: SALES ASSEMBLY MOLEX SCA-2 PRESS-FIT RECEPTACLE			2	F			
REV	DESCRIPTION	3 PLACES ±0.	±.005	CHECKED BY & DATE ACHAMMER 98/02/10	APPROVED BY & DATE BANAKIS 98/02/12			MOLEX INCORPORATED			1	F
		2 PLACES ±0.13	±.010	CAD FILENAME S7382601.DGN			MATERIAL NO. SEE TABLE	DRAWING NO. SD-73826-001	SHEET NO. 1 OF 2			
DRAFT WHERE APPLICABLE MUST REMAIN WITHIN DIMENSIONS		ANGULAR: ± 1/2°		THIS DRAWING CONTAINS INFORMATION THAT IS PROPRIETARY TO MOLEX INCORPORATED AND SHOULD NOT BE USED WITHOUT WRITTEN PERMISSION.			SIZE B					

	10	9	8	7	6	5	4	3	2	73826
MATERIAL NUMBER	CIRCUIT SIZE	DIMENSION A	DIMENSION B	DIMENSION C	DIMENSION D	DIMENSION E	DIMENSION F	DIMENSION P	ADVANCED TERMINALS / CIRCUITS (SECTION Z-Z, SHEET 1)	
738260001	80	2.717/(69.01)	2.583/(65.61)	2.025/(51.44)	2.343/(59.51)	1.066/(27.06)	.109/(2.77)	.125/(3.18)	1, 36, 37, 38, 39, 40, 41, 42, 43, 45, 46, 75, 76, 77, 78, 79, 80	
738260002	40	1.717/(43.61)	1.583/(40.21)	1.025/(26.04)	1.343/(34.11)	.566/(14.38)	.109/(2.77)	.125/(3.18)	21, 22, 23, 26, 29, 32, 35, 36, 37, 38, 39, 40	
738260003	80	2.717/(69.01)	2.583/(65.61)	2.025/(51.44)	2.343/(59.51)	1.066/(27.06)	.109/(2.77)	.135/(3.43)	1, 36, 37, 38, 39, 40, 41, 42, 43, 45, 46, 75, 76, 77, 78, 79, 80	
738260004	40	1.717/(43.61)	1.583/(40.21)	1.025/(26.04)	1.343/(34.11)	.566/(14.38)	.109/(2.77)	.135/(3.43)	21, 22, 23, 26, 29, 32, 35, 36, 37, 38, 39, 40	

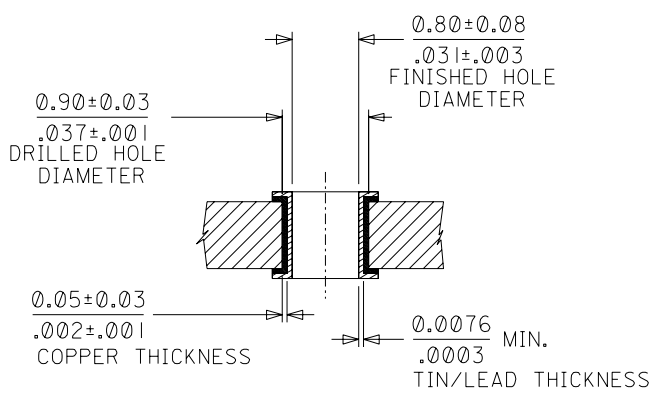


PCB LAYOUT FOR 40 CIRCUIT  
COMPONENT SIDE

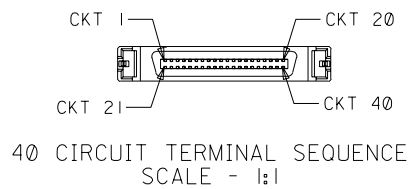


PCB LAYOUT FOR 80 CIRCUIT  
COMPONENT SIDE

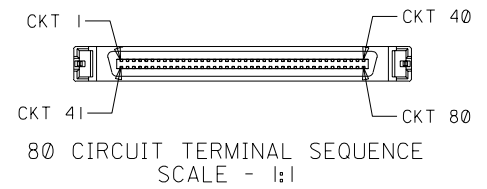
RECOMMENDED BOARD THICKNESS = .093



RECOMMENDED PCB HOLE CONFIGURATION  
SECTION Z-Z



40 CIRCUIT TERMINAL SEQUENCE  
SCALE - 1:1



80 CIRCUIT TERMINAL SEQUENCE  
SCALE - 1:1

SEE SHEET 1	EC NO. DRWN: CHK: APPR:	DESCRIPTION	QUALITY SYMBOLS	GENERAL TOLERANCES: (UNLESS SPECIFIED)		SCALE 2:1	DESIGN UNITS <input type="checkbox"/> mm <input checked="" type="checkbox"/> INCH	DIMENSIONS:		SHT	REV	
				mm	INCH	mm	INCH	mm	ONLY	REVISE ON CAD ONLY		
F	REV		MAJOR = 0 CRITICAL = 0 C = 0	4 PLACES	±0.	±.	DRAWN BY & DATE ACHAMMER 97/12/09		TITLE: SALES ASSEMBLY MOLEX SCA-2 PRESS-FIT RECEPTACLE MOLEX INCORPORATED			
				3 PLACES	±0.	±.005	CHECKED BY & DATE ACHAMMER 98/02/10					
				2 PLACES	±0.13	±.010	APPROVED BY & DATE BANAKIS 98/02/12					
				1 PLACE	±0.25	±.	CAD FILENAME S7382602.DGN		MATERIAL NO. SEE TABLE	DRAWING NO. SD-73826-001	SHEET NO. 2	SIZE B
				DRAFT WHERE APPLICABLE MUST REMAIN WITHIN DIMENSIONS				THIS DRAWING CONTAINS INFORMATION THAT IS PROPRIETARY TO MOLEX INCORPORATED AND SHOULD NOT BE USED WITHOUT WRITTEN PERMISSION.				