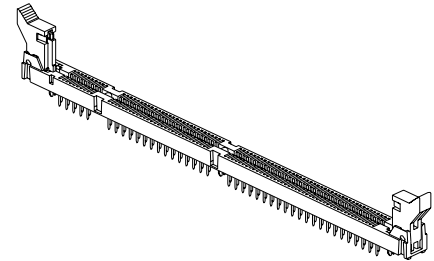


molex® 1.27mm (.050") Pitch DIMM 8-Byte DRAM Socket

71736

Multiple Keys Forklock Version



FEATURES AND SPECIFICATIONS

Sockets and Edge Connectors

Features and Benefits

- Accepts JEDEC MO-161 modules for 100% industry compatibility
- Dual ejector latches for easy module removal
- Latches include feature to minimize micro motion
- Palladium Nickel with Gold flash plating for improved reliability
- Added contact wipe for improved reliability
- Optional voltage and function keying

Reference Information

Product Specification: PS-71243
Packaging: Tray
Mates With: JEDEC MO-161 modules
Designed In: Inches

Electrical

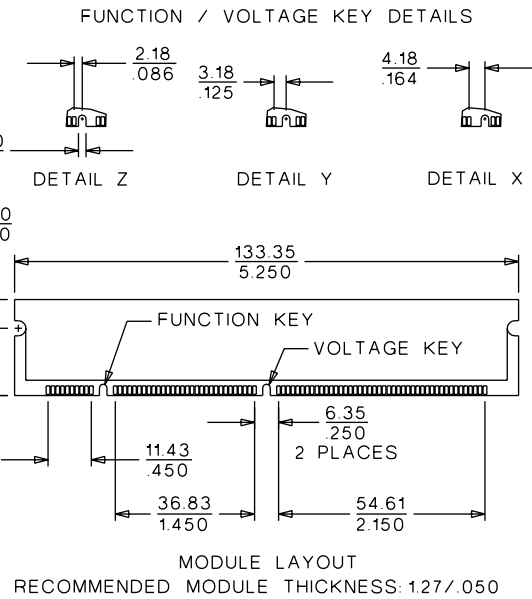
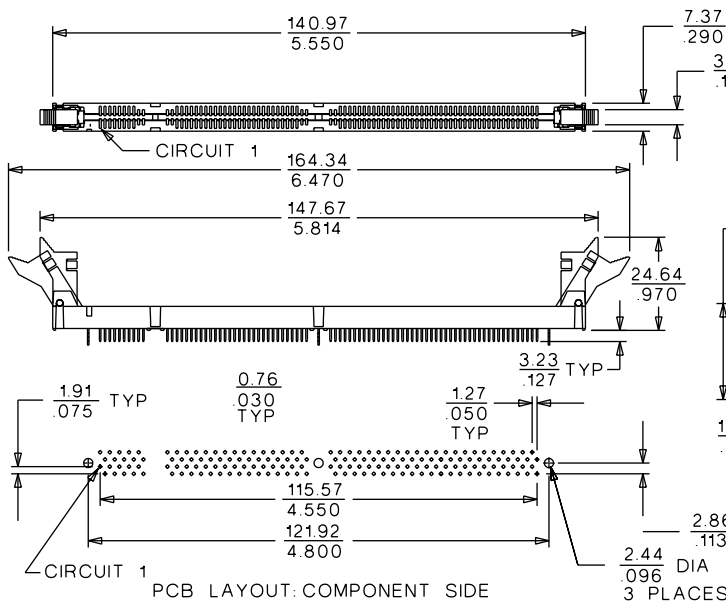
Voltage: 100V
Current: 1.0A
Contact Resistance: 20mΩ max.
Dielectric Withstanding Voltage: 750V AC
Insulation Resistance: 100 MΩ min.

Mechanical

Mating Force: 5 oz per pair
Durability: 25 cycles min.

Physical

Housing and Latch: High temperature resistant thermoplastic, UL 94V-0
Contact: Phosphor Bronze
Forklock: Stainless Steel
Plating: Selective Palladium Nickel with Gold flash with Tin/Lead on solder tails
Temperature: -40 to +85°C



ORDERING INFORMATION

Circuits	Order No.	Description	Function Key	Voltage Key
168	71736-0001	DRAM 3.3V	Detail Y	Detail Y
	71736-0002	DRAM 5.0V	Detail Y	Detail Z
	71736-0006	SDRAM 3.3V	Detail Z	Detail Y
	71736-0007	SDRAM 5.0V	Detail Z	Detail Z
	71736-0011	Unbuffered 3.3V	Detail X	Detail Y
	71736-0005	Unbuffered 5.0V	Detail X	Detail Z