

FEATURES AND SPECIFICATIONS

Features and Benefits

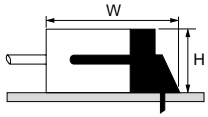
- Sizes 2 to 15 circuits
- Locking ribs and holes accept either positive or friction-locking housings
- Shrouded design protects terminals and facilitates mating
- Kinked PC tails provide secure PCB retention

Reference Information

Packaging: Tray
 UL File No.: E29179
 Mates With: [51102](#), [51103](#), and [51163](#)
 Designed In: Millimeters

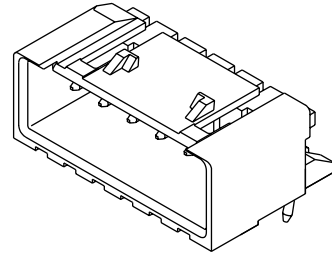
Mating Dimensions

- 53426/51102/50351
 H=6.7mm (.264")
 W=14.35mm (.565")
- 53426/51103/50351/50752
 H=7.75mm (.305")
 W=14.35mm (.565")
- 53426/51163/51164/50752
 H=9.35mm (.368")
 W=15.59mm (.612")



molex® 2.50mm (.098") Pitch Wire-to-Board Header

53426 Right Angle



Electrical

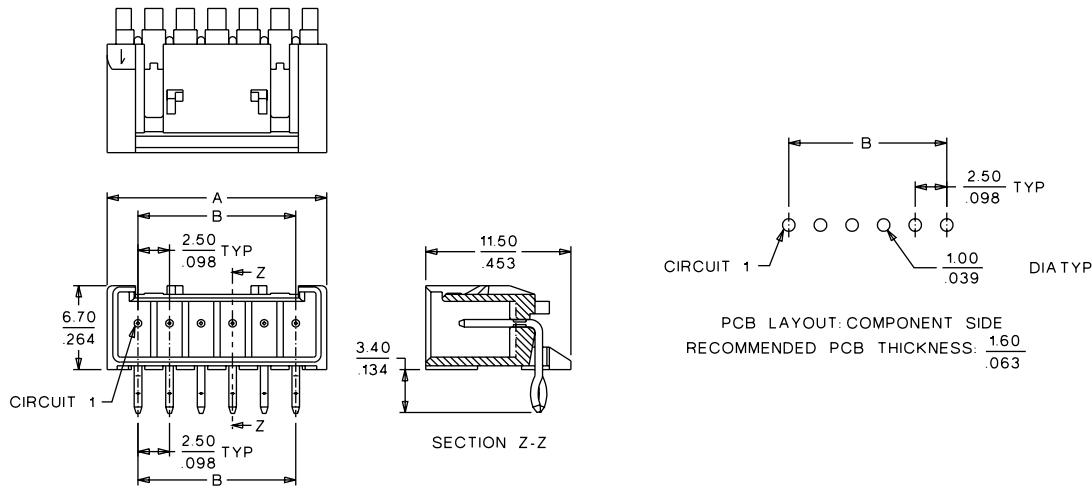
Voltage: 250V
 Current: 3.0A
 Contact Resistance: 20mΩ max.
 Dielectric Withstanding Voltage: 1000V AC/1 min.
 Insulation Resistance: 1000 MΩ min.

Physical

Housing: Glass-filled PBTP, UL 94V-0
 Contact: Phosphor Bronze
 Plating: Tin
 Operating Temperature: -40 to +105°C

B
2.00 to 2.50mm (.079 to .098") Pitch

CATALOG DRAWING (FOR REFERENCE ONLY)



ORDERING INFORMATION AND DIMENSIONS

Circuits	Order No.	Dimension	
		dA	B
2	53426-0210	7.4 (.291)	2.50 (.098)
3	53426-0310	9.9 (.390)	5.00 (.197)
4	53426-0410	12.4 (.488)	7.50 (.295)
5	53426-0510	14.9 (.587)	10.00 (.394)
6	53426-0610	17.4 (.685)	12.50 (.492)
7	53426-0710	19.9 (.783)	15.00 (.591)
8	53426-0810	22.4 (.882)	17.50 (.689)
9	53426-0910	24.9 (.980)	20.00 (.787)
10	53426-1010	27.4 (1.079)	22.50 (.886)
11	53426-1110	29.9 (1.177)	25.00 (.984)
12	53426-1210	32.4 (1.276)	27.50 (1.083)
13	53426-1310	34.9 (1.374)	30.00 (1.181)
14	53426-1410	37.4 (1.472)	32.50 (1.280)
15	53426-1510	39.9 (1.571)	35.00 (1.378)