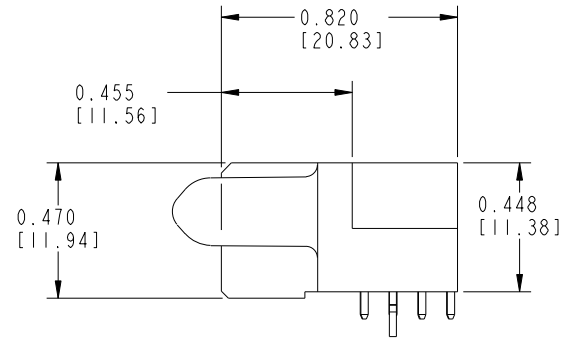
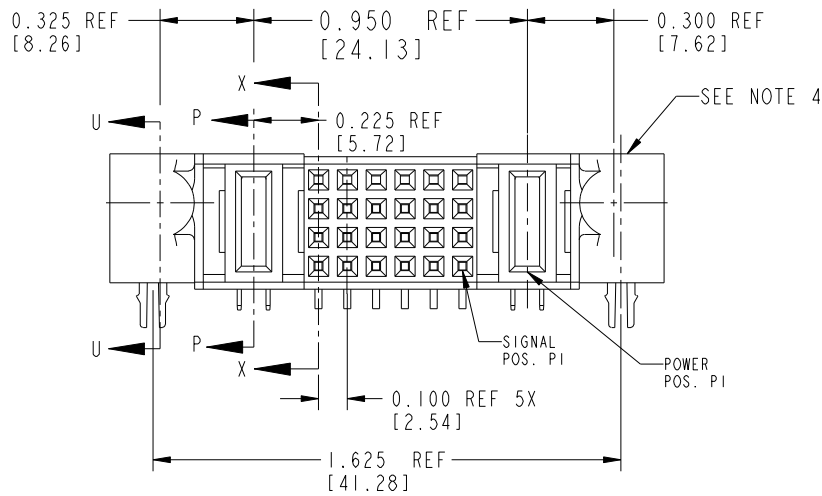
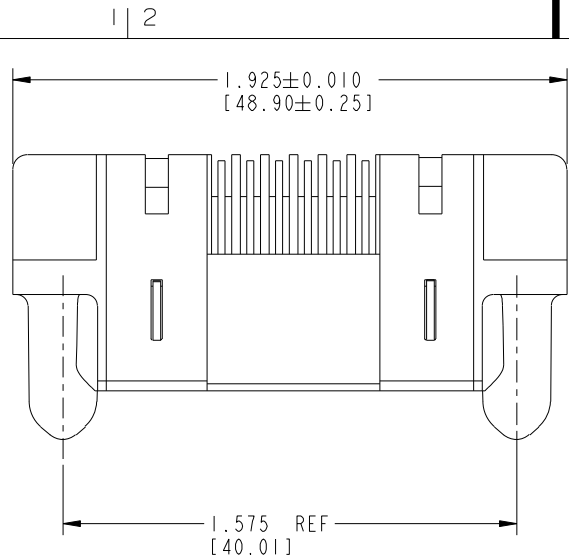


Tous droits strictement réservés. Reproduction ou communication a des tiers interdite sous quelque forme que ce soit sans autorisation écrite du propriétaire. Propriété de c FCI. Droits de reproduction FCI.

All rights strictly reserved. Reproduction or issue to third parties in any form whatever is not permitted without written authority from the proprietor. Property of FCI. Copyright FCI.

FCI

PRODUCT NUMBER
51416-00X-
NOTE ③



mat'l code				SEE NOTES		tolerances unless otherwise specified		CUSTOMER		FCI	
lfr	ecn no.	dr	date	linear	.XX ± .01 / .X ± .3	projection		COPY		www.fciconnect.com	
A	V90563	CHB	02-18-99		.XXX ± .005 / .XX ± .13	INCH/MM		title		IP + 24S + IP	
B	V90919	SAR	04-14-99	angles	.XXX ± .0020 / .XXX ± .051	3:2		RIGHT ANGLE SOLDER RECEPT		product family	
C	V94029	CHB	10-08-99		0° ± 2°			product family		PwrBlade	
D	V01376	EKK	06-08-00	dr	LEVEL 4	01-12-99		size		dwg no	
E	DG05-0049	SW	03-17-05	enrg	J. BROWN	01-12-99		A		51416	
F	DG05-0230	LH	07-19-05	chr	J. BROWN	01-12-99		code		213	
				appd	J. BROWN	01-12-99		sheet		1 of 5	
sheet index		revision sheet		F	F	F	F				
				1	2	3	4				

THIS FILE WAS ORIGINALLY CREATED IN THE PRO ENGINEER ENVIRONMENT AND ANY FUTURE REVISIONS TO THIS FILE MUST BE MADE IN THE PRO ENGINEER ENVIRONMENT

1 | 2

Pro/E

PDM: Rev:F

STAT: Released

Printed: Aug 11, 2007

3 |

4

A

A

B

B

cage code 22556

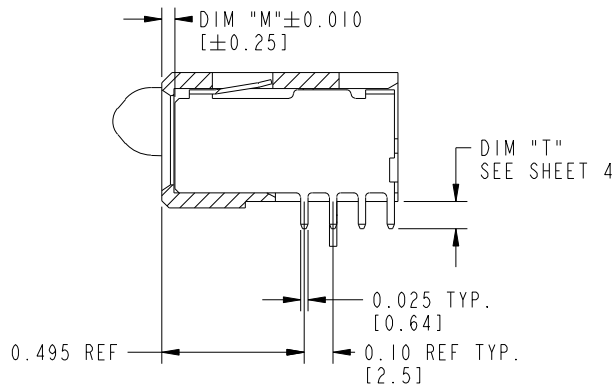
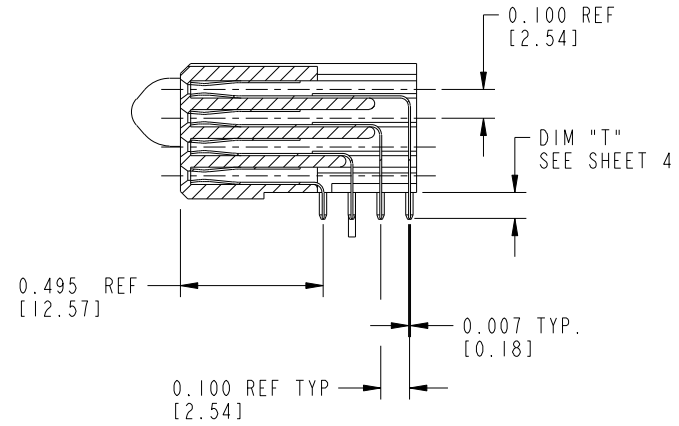
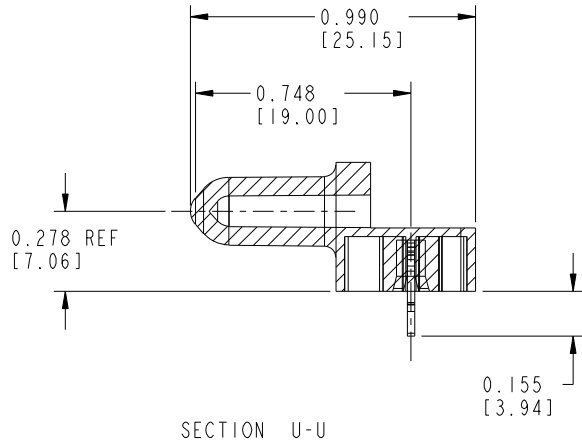
4

Tous droits strictement réservés. Reproduction ou communication a des tiers interdite sous quelque forme que ce soit sans autorisation écrite du propriétaire. Propriété de c FCI. Droits de reproduction FCI.

All rights strictly reserved. Reproduction or issue to third parties in any form whatever is not permitted without written authority from the proprietor. Property of FCI. Copyright FCI.

A
FCI

PRODUCT NUMBER
51416-00X ---
NOTE (3)



mat'l code		SEE NOTES		tolerances unless otherwise specified		CUSTOMER		A FCI		www.fciconnect.com	
ltr	ecn no.	dr	date	linear	.XX ± .01 / .X ± .3	projection	COPY	title			
F					.XXX ± .005 / .XX ± .13			INCH/MM	IP + 24S + IP RIGHT ANGLE SOLDER RECEPT		
				angles	.XXX ± .0020 / .XXX ± .051	scale	product family		code		
				dr	0° ± 2°		3:2	PwrBlade		213	
				enrg	LEVEL 4 01-12-99		size	dwg no		sheet	
				chr	J. BROWN 01-12-99		A	51416-001		2	
				appd	J. BROWN 01-12-99						
sheet index	revision sheet										

A

A

B

B

1 | 2

3 |

4

1 | 2

Pro/E

PDM: Rev:F

STAT: **Released**

Printed: Aug 11, 2007

cage code 28556

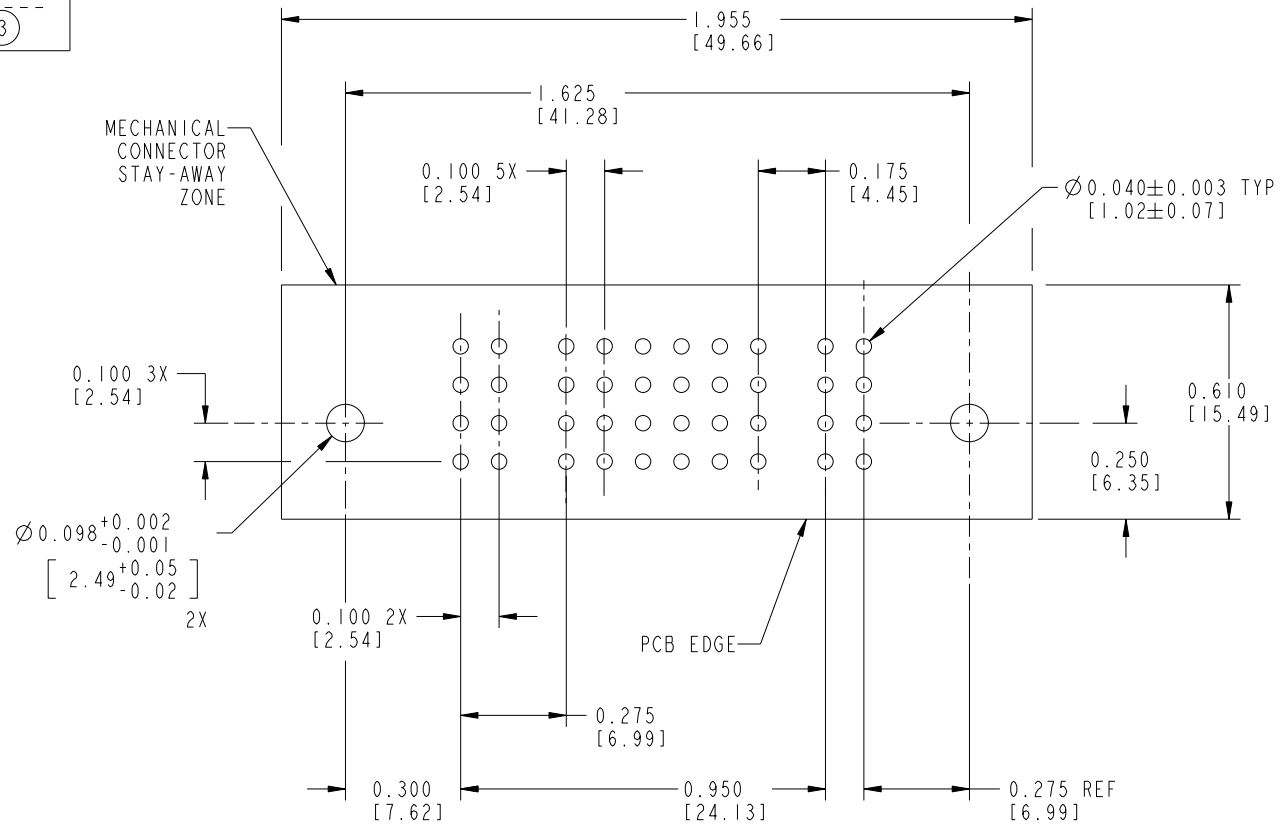
4

Tous droits strictement réservés. Reproduction ou communication a des tiers interdite sous quelque forme que ce soit sans autorisation écrite du propriétaire. Propriété de c FCI. Droits de reproduction FCI.

All rights strictly reserved. Reproduction or issue to third parties in any form whatever is not permitted without written authority from the proprietor. Property of FCI. Copyright FCI.

A
FCI

PRODUCT NUMBER
51416-00X
NOTE ③



RECOMMENDED PCB LAYOUT

mat'l code		SEE NOTES		tolerances unless otherwise specified		CUSTOMER COPY		 www.fciconnect.com	
ltr	ecn no.	dr	date	linear	.XX ± .01/.X ± .3	projection	title		
F				angles	.XXX ± .005/.XX ± .13		IP + 24S + IP		
				dr	.XXXX ± .0020/.XXX ± .051		RIGHT ANGLE SOLDER RECEPT		
				enr	0° ± 2°	INCH/MM	product family	PwrBlade	code
				chr	J. BROWN 01-12-99	scale	size	dwg no	213
				appd	J. BROWN 01-12-99	3:2	A	51416	sheet
sheet index	revision sheet								3

B

B

1 | 2

Pro/E

PDM: Rev:F

STAT: **Released**

Printed: Aug 11, 2007

3 |

4

Tous droits strictement réservés. Reproduction ou communication a des tiers interdite sous quelque forme que ce soit sans autorisation écrite du propriétaire. Propriété de c FCI. Droits de reproduction FCI.

All rights strictly reserved. Reproduction or issue to third parties in any form whatever is not permitted without written authority from the proprietor. Property of FCI. Copyright FCI.

A

FCI

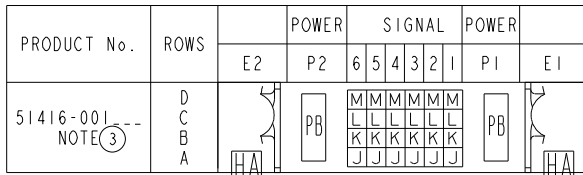
B

1 | 2

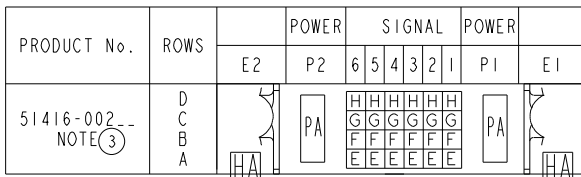
3 |

4

ITEM NO.	QTY	DIM "M" MATING LENGTH ±.010		DIM "T" TAIL LENGTH +.005-[.13]-.010 [.25]		CONTACT TYPE
PB	2	0.042	[1.07]	0.090	[2.29]	POWER
J	6	N/A	[N/A]	0.090	[2.29]	SIGNAL
K	6	N/A	[N/A]	0.090	[2.29]	SIGNAL
L	6	N/A	[N/A]	0.090	[2.29]	SIGNAL
M	6	N/A	[N/A]	0.090	[2.29]	SIGNAL
HA	2	N/A	[N/A]	N/A	[N/A]	HOLD-DOWN



ITEM NO.	QTY	DIM "M" MATING LENGTH ±.010 [.25]		DIM "T" TAIL LENGTH ±.010 [.25]		CONTACT TYPE
PA	2	0.042	[1.07]	0.135	[3.43]	POWER
E	6	N/A	[N/A]	0.135	[3.43]	SIGNAL
F	6	N/A	[N/A]	0.135	[3.43]	SIGNAL
G	6	N/A	[N/A]	0.135	[3.43]	SIGNAL
H	6	N/A	[N/A]	0.135	[3.43]	SIGNAL
HA	2	N/A	[N/A]	N/A	[N/A]	HOLD-DOWN



mat'l code		SEE NOTES		tolerances unless otherwise specified		CUSTOMER COPY		 www.fciconnect.com	
ltr	ecn no.	dr	date	linear	.XX ±.01/.X ±.3	projection		title	
F				angles	.XXX ±.005/.XX ±.13 .XXX ±.0020/.XXX ±.051			IP + 24S + IP RIGHT ANGLE SOLDER RECEPT	
				dr	0° ± 2°	INCH/MM		product family	
				enrg	LEVEL 4 01-12-99			PwrBlade	
				chr	J. BROWN 01-12-99	scale	1:1	size	
				appd	J. BROWN 01-12-99			A 51416	
sheet index		revision sheet						sheet 4	

1 | 2

Pro/E

PDM: Rev:F

STATUS: **Released**

Printed: Aug 11, 2007

A

B

cage code 2256

4

PRODUCT NUMBER
 51416-00X ---
 NOTE ③

NOTES:

1. DIMENSIONS AND TOLERANCES ARE IN ACCORDANCE WITH ASME Y14.5M, 1994 UNLESS OTHERWISE SPECIFIED.

CONNECTOR NOTES:

2. HOUSING MATERIAL: UL 94 V-0 GLASS FILLED HIGH-TEMP THERMOPLASTIC
 POWER CONTACT MATERIAL: COPPER ALLOY
 SIGNAL PIN MATERIAL: COPPER ALLOY

3. PLATING(51416-00X STAND FOR 51416-001 AND 51416-002)
 51416-00X - 30u"/0.76um Au OVER 50u"/1.27um Ni ON THE CONTACT AREA.
 100u"/2.54um SnPb PLATING ON THE TERMINATION SECTION.
 51416-00XLF - 30u"/0.76um Au OVER 50u"/1.27um Ni ON THE CONTACT AREA.
 78u"/2.00um Sn PLATING ON THE TERMINATION SECTION.
 51416-00IGLF - 30u"/0.76um Au OVER 50u"/1.27um Ni ON THE CONTACT AREA.
 5u"/0.13um Au PLATING ON THE TERMINATION SECTION.

PART NUMBER WITH "LF" SUFFIX MEETS EUROPEAN UNION DIRECTIVE AND OTHER COUNTRY REGULATIONS AS DESCRIBED IN GS-22-008.


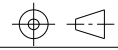

THE HOUSING WILL WITHSTAND EXPOSURE TO 260° PEAK TEMPERATURE FOR 10 SECONDS IN A WAVE SOLDER APPLICATION WITH A CIRCUIT BOARD.

4. MANUFACTURER'S NAME, P/N, AND DATE CODE TO APPEAR ON THIS SURFACE.

5. PRODUCT SPECIFICATION GS-12-149.
 APPLICATION SPECIFICATION BUS-20-067.

PCB NOTES:

- 6. ALL HOLE DIAMETERS ARE FINISHED HOLE SIZE.
- 7. MOUNTING HOLES, WHERE APPLICABLE, ARE UNPLATED.
- 8. $\varnothing .0453 \pm 0.0010$ [1.151 ± 0.025] DRILLED HOLES PLATED WITH $.0003$ [0.008] MIN SnPb OVER $.001$ [0.03] TO $.003$ [0.08] Cu PLATING TO ACHIEVE $\varnothing .040 \pm .003$ [$1.02 \pm .07$] HOLE.
- 9. "DIM XXX" TO BE DETERMINED BY THE CUSTOMER.
- 10. CONNECTOR KEEP-OUT ZONE.

mat'l code		SEE NOTES		tolerances unless otherwise specified		CUSTOMER		 www.fciconnect.com	
lfr	ecn no.	dr	date	linear	.XX±.01/0.X±0.3		COPY		title IP + 24S + IP RIGHT ANGLE SOLDER RECEPT
F					.XXX±.005/0.XX±0.13		projection		
				angles	.XXX±.0020/0.XXX±0.051				product family PwrBlade
					0°±2°				
				dr	LEVEL 4	01-12-99	scale 3:2		size A
				enrg	J. BROWN	01-12-99	51416		
				chr	J. BROWN	01-12-99			
				appd	J. BROWN	01-12-99			
sheet index		revision sheet							

THIS FILE WAS ORIGINALLY CREATED IN THE PRO ENGINEER ENVIRONMENT AND ANY FUTURE REVISIONS TO THIS FILE MUST BE MADE IN THE PRO ENGINEER ENVIRONMENT

Tous droits strictement réservés. Reproduction ou communication a des tiers interdite sous quelque forme que ce soit sans autorisation écrite du propriétaire. Propriété de c FCI. Droits de reproduction FCI.

A
FCI

All rights strictly reserved. Reproduction or issue to third parties in any form whatever is not permitted without written authority from the proprietor. Property of FCI. Copyright FCI.

B

B