



## *ISOLATION - STEP UP PLUG IN - EURO*

*(115VAC - 230VAC)*

**Path:** [Home](#) > [Transformer Index](#) > [Line](#) > Isolation - Step Up - Plug In (Euro)

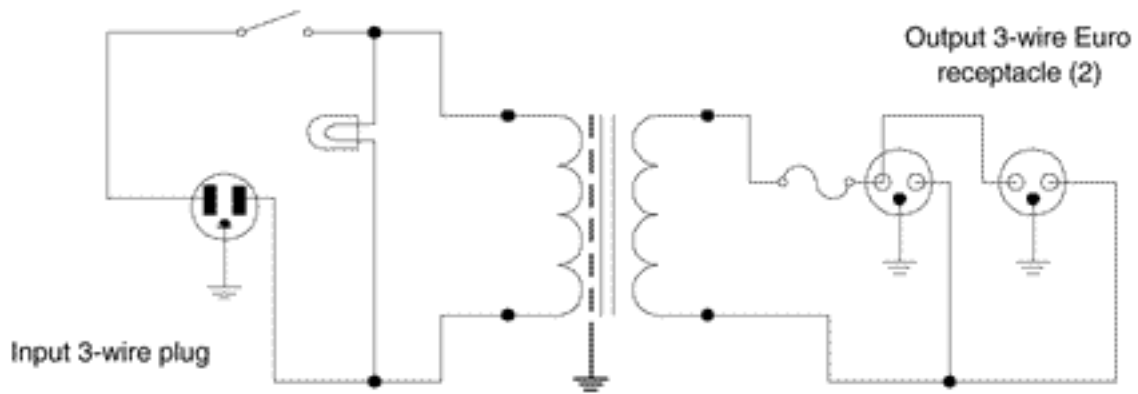
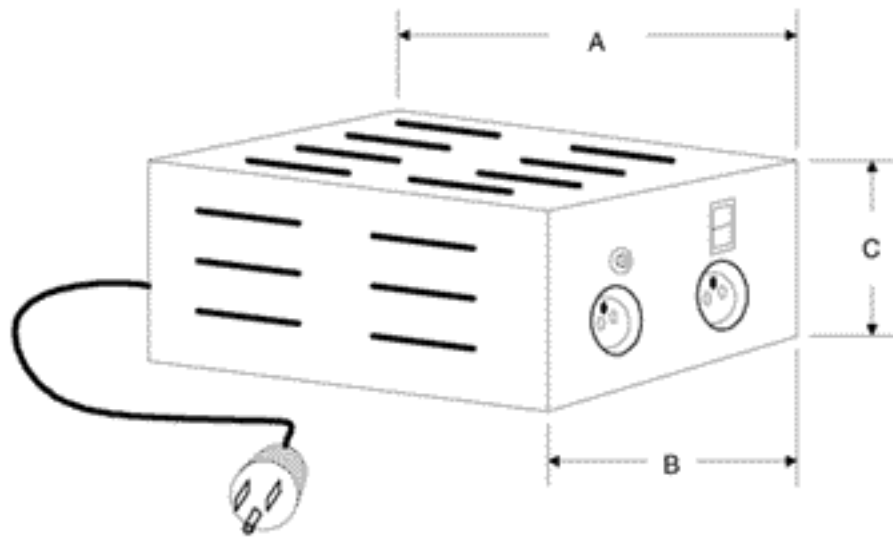
### *Key Features:*

- Primary 115VAC, 50/60 Hz., Secondary 230VAC.
- Provides circuit isolation.
- Electrostatic shield between primary & secondary.
- World wide applications, 50 or 60 Hz. operation, step up (115VAC to 230 VAC).
- Standard 3-wire, grounded plug (can also be used with [adaptors](#) for proper grounding).
- Input (primary) connected to a 5 foot cord & standard North American plug (NEMA 5-15P)
- Output (secondary) connected to two European (Shuko) - 3 wire grounded receptacles.
- Features include ventilated black steel case, rocker lighted on-off switch & fuse protected output.
- **Remember** - These units do NOT convert line frequency

### **115VAC to 230VAC**

Cat. No.	Capacity VA	# of Outlets	Dimensions		
			A	B	C
<b>298C</b>	<b>250</b>	2	6	6.75	4.75
<b>298D</b>	<b>500</b>	2	6	8.25	4.75
<b>298E</b>	<b>750</b>	2	7	8.25	5.38
<b>298F</b>	<b>1000</b>	2	7	9.75	5.38
<b>298G</b>	<b>1500</b>	2	8.5	9	6.75

### *Mechanical & Schematic Data:*





URL: <http://www.hammondmfg.com/>