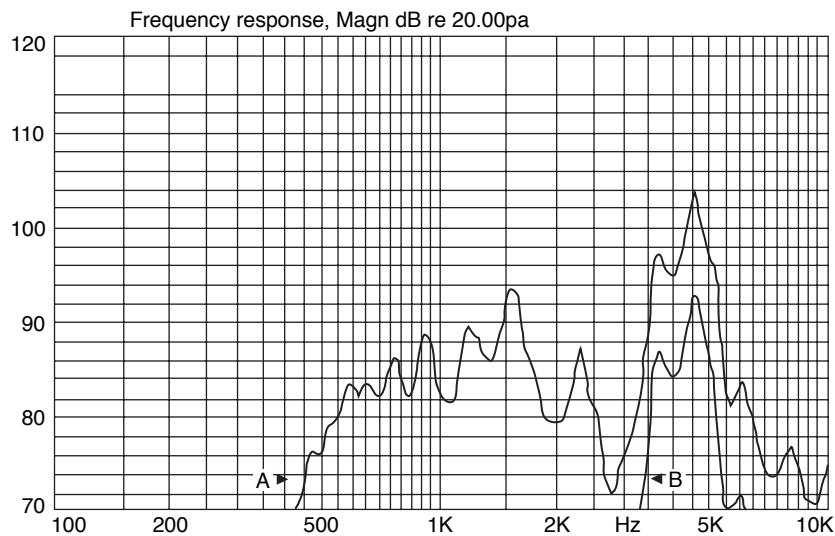
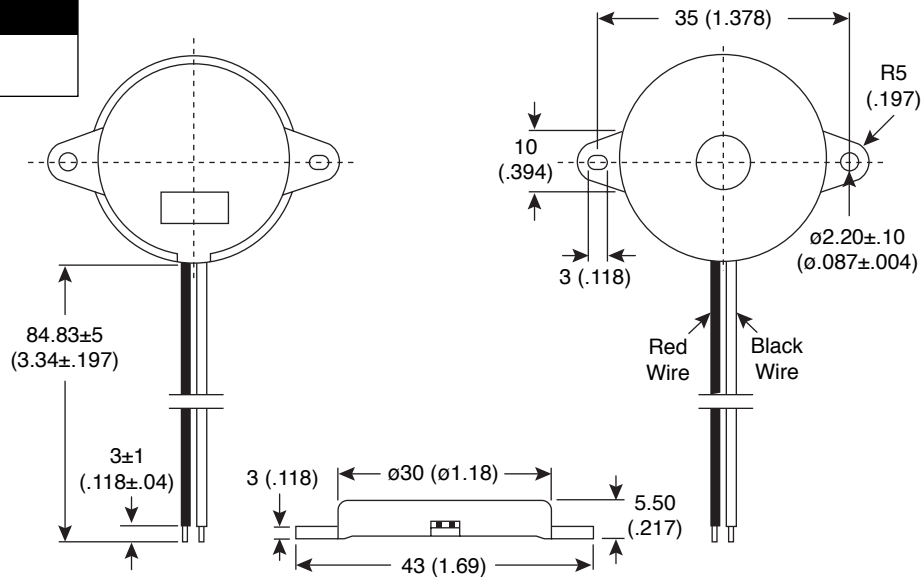


Part Number:

254-272-ROX

Piezoelectric Buzzer (External Drive)



KT-400264

**Mechanical Specifications:**

- Operating temperature: -20° to +60°C
- Storage temperature: -30° to +70°C

**Electrical Specifications:**

- Sound pressure level: 90dB min. @ 4.4KHz/9Vp-p square wave/10cm  
80dB min. @ 4.4KHz/1Vrms sine wave/10cm
- Capacitance: 20,000pF ± 30% @ 120Hz
- Current consumption: 4mA max. @ 4.4KHz/9Vp-p square wave
- Allowable input voltage: 30Vp-p max.

**Materials:**

- Case: ABS (UL 94HB)
- Lead wire: UL1095, 28AWG
- Weight: 4.7 gms

**Note:**

- RoHS Compliant by Exemption