

Distributed by:

JAMECO[®]
ELECTRONICS

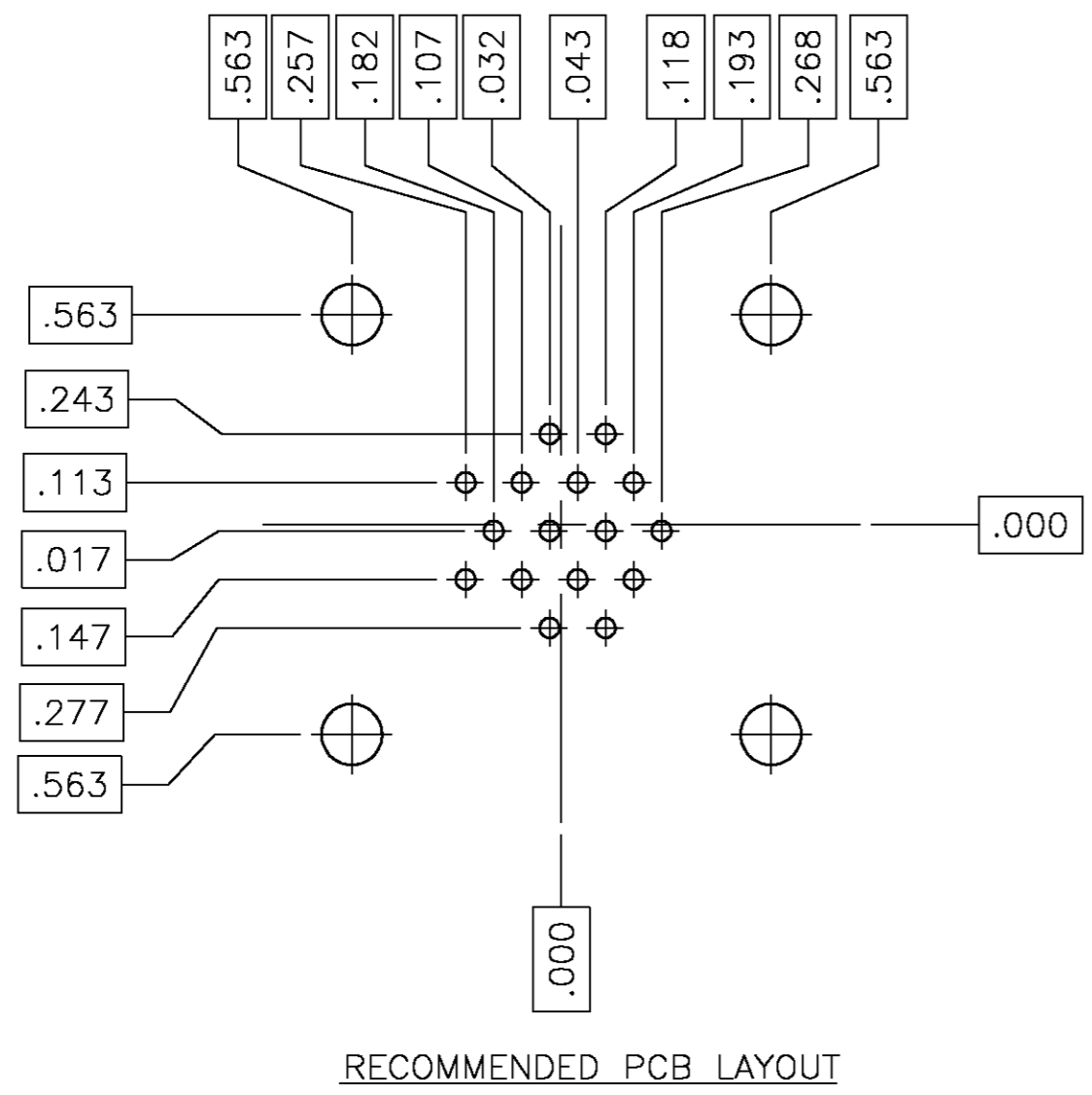
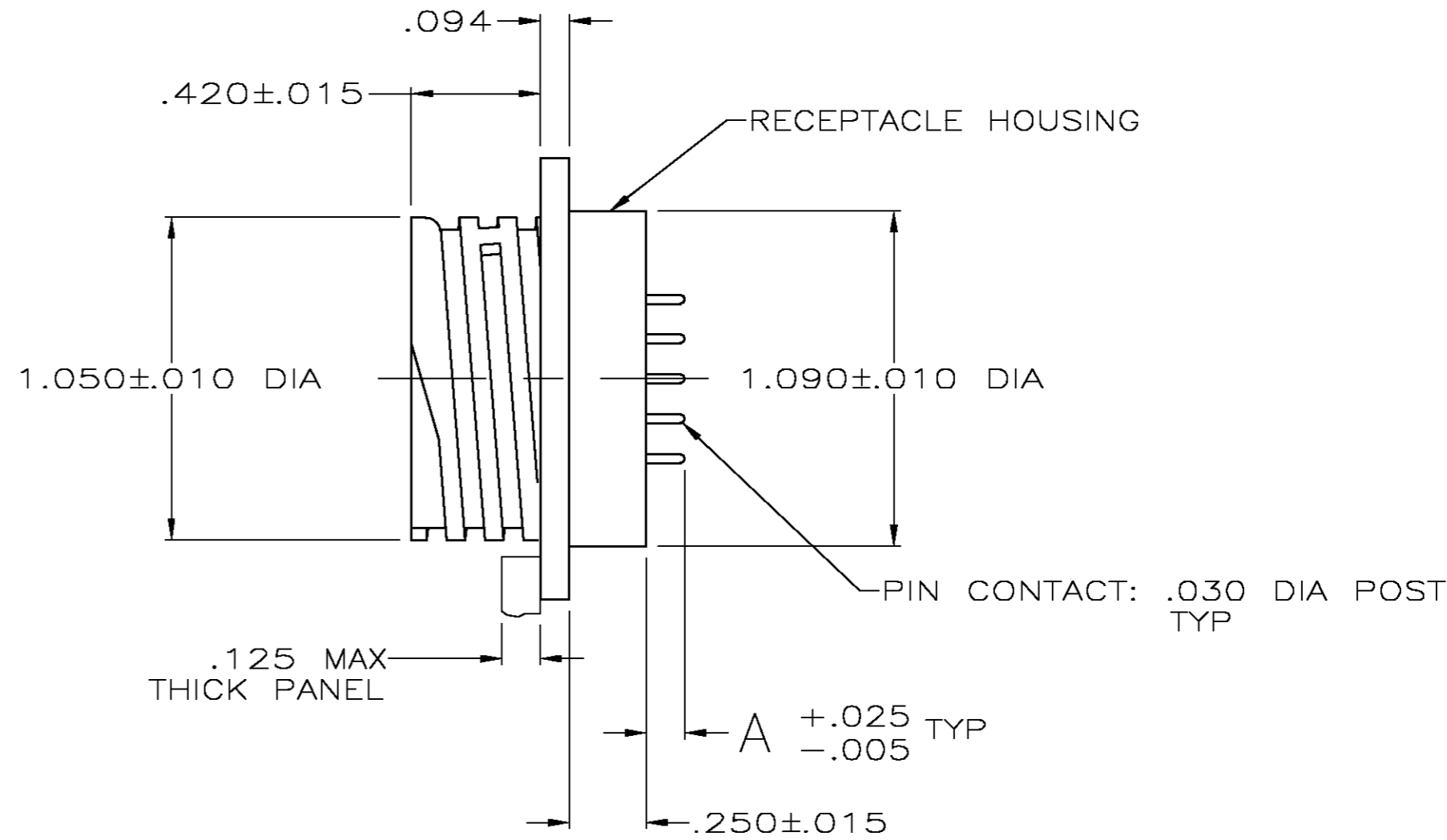
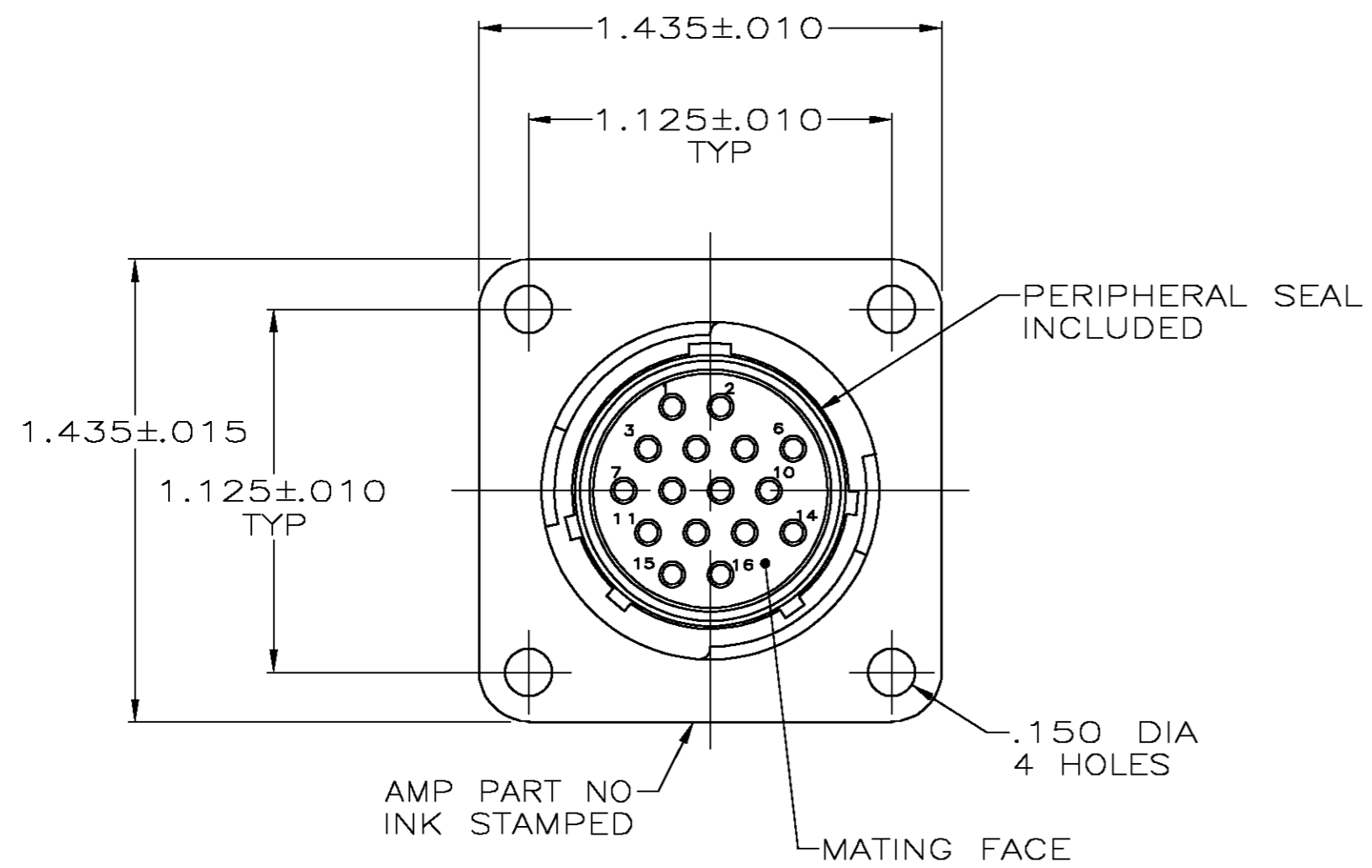
www.Jameco.com ♦ 1-800-831-4242

The content and copyrights of the attached
material are the property of its owner.

Jameco Part Number 914195

THIS DRAWING IS UNPUBLISHED. RELEASED FOR PUBLICATION
 © COPYRIGHT BY TYCO ELECTRONICS CORPORATION. ALL RIGHTS RESERVED.

LOC		DIST		REVISIONS			
P	LTR	DESCRIPTION	DATE	DWN	APVD		
FT	0						
F		REVISED PER 0G3B-0147-03	5/23/03	SS	SH		



PRELIMINARY	.175	4	207292-4
	.175	3	207292-3
	.125	4	207292-2
	.125	3	207292-1
A		FINISH	PART NUMBER

- 1 NYLON, UL 94V-0 RATED, BLACK.
- 2 BRASS.
- 3 .000100 MIN TIN PER MIL-T-10727 OVER NICKEL FLASH PER QQ-N-290.
- 4 .000030 MIN GOLD PER MIL-G-45204 OVER .000030 MIN NICKEL PER QQ-N-290.

THIS DRAWING IS A CONTROLLED DOCUMENT.

DIMENSIONS: INCHES	TOLERANCES UNLESS OTHERWISE SPECIFIED: 0 PLC ± - 1 PLC ± - 2 PLC ± - 3 PLC ± .005 4 PLC ± - ANGLES ± -	DWN J GALLUCCI BG 5-22-91 CHK R.STONE 3-4-92 APVD - PRODUCT SPEC - APPLICATION SPEC - WEIGHT -	 Tyco Electronics Corporation Harrisburg, PA 17105 POSTED RECEPTACLE ASSEMBLY, STD SEX, SERIES 1, 17-16, CPC SIZE A2 CAGE CODE 00779 DRAWING NO C=207292 RESTRICTED TO - SCALE 2:1 SHEET 1 OF 1 REV F
--------------------	--	---	--

MATERIAL RECEPT HOUSING: 1
 PIN CONTACT: 2

CUSTOMER DRAWING