

Distributed by:

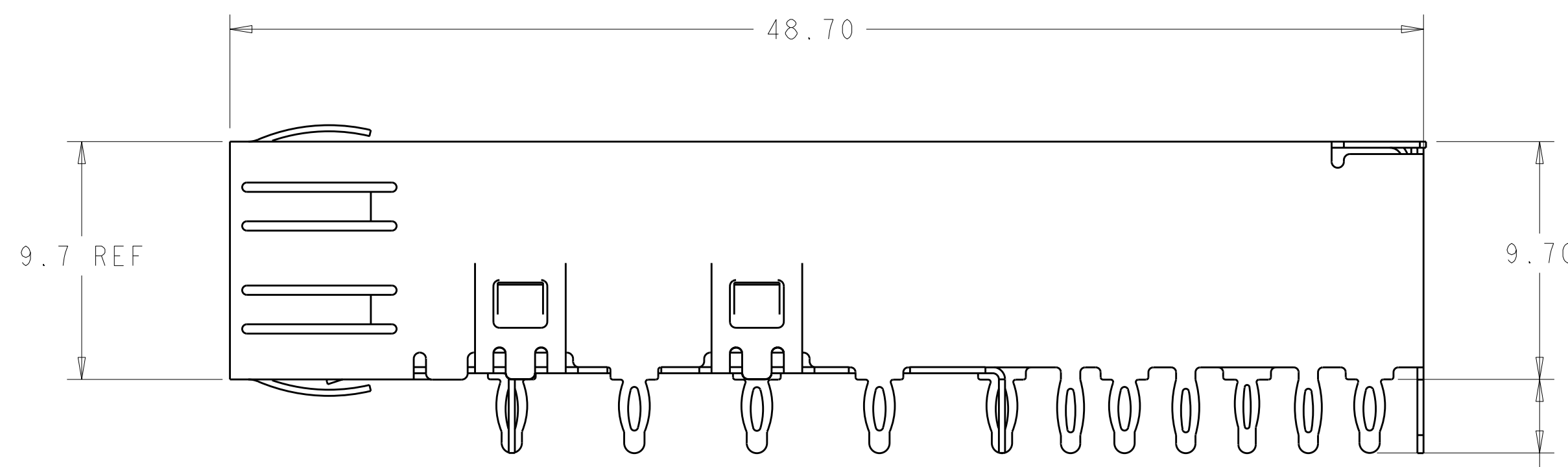
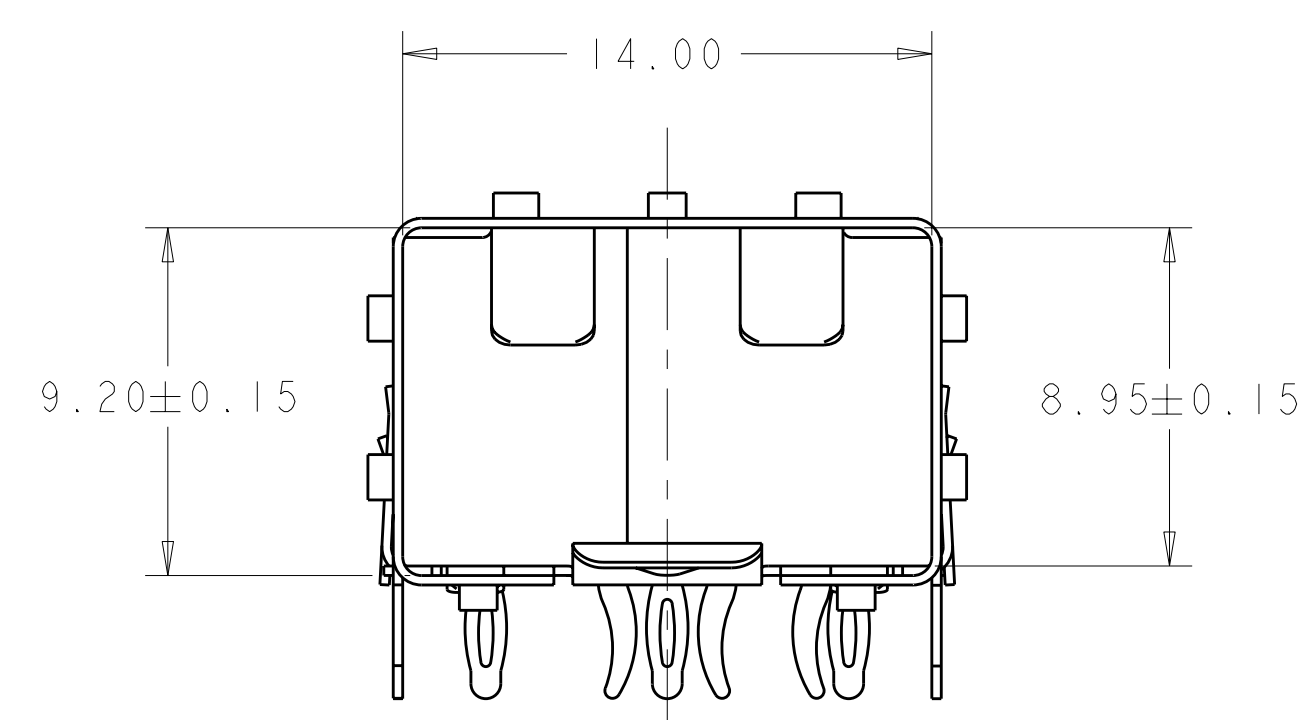
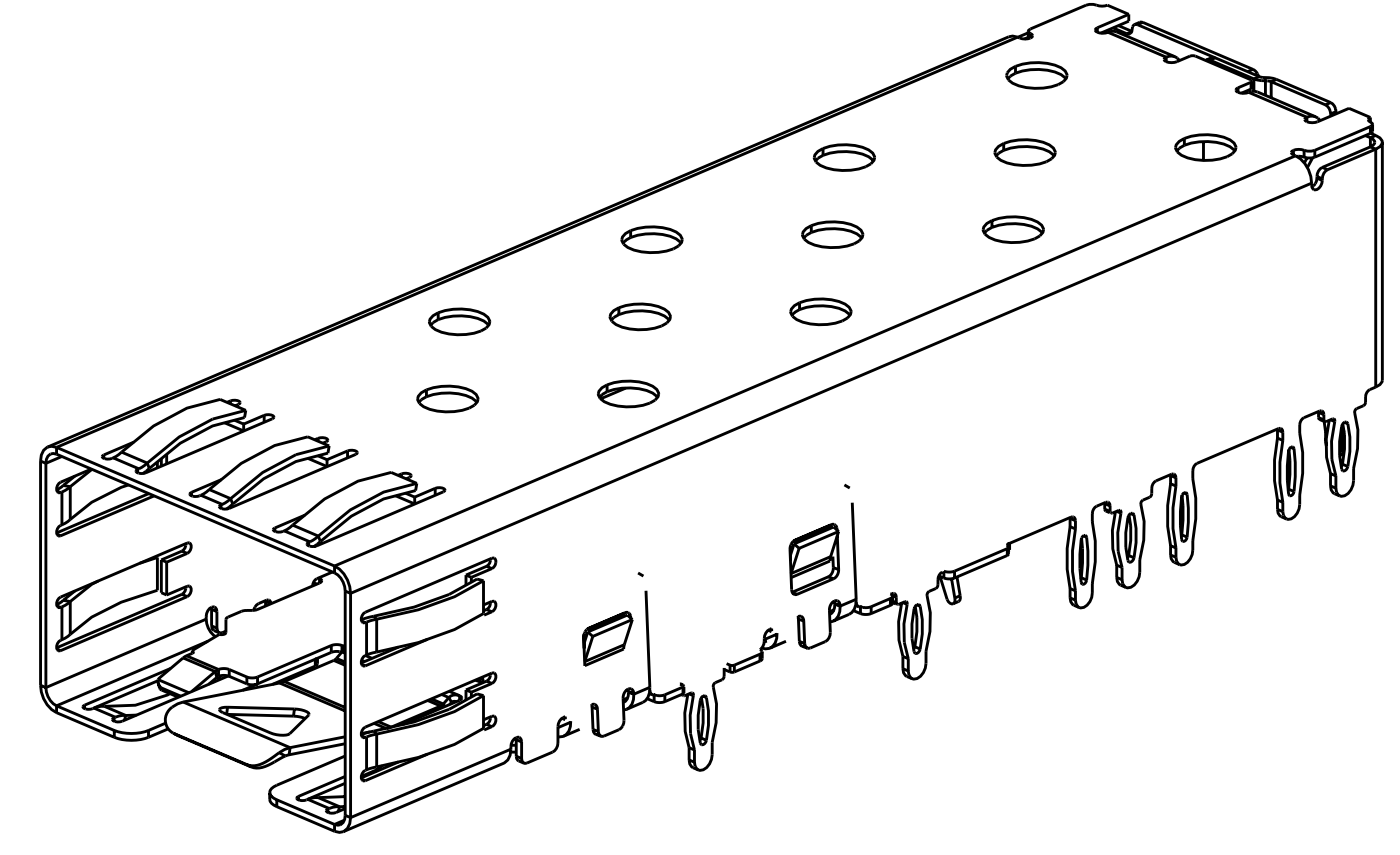
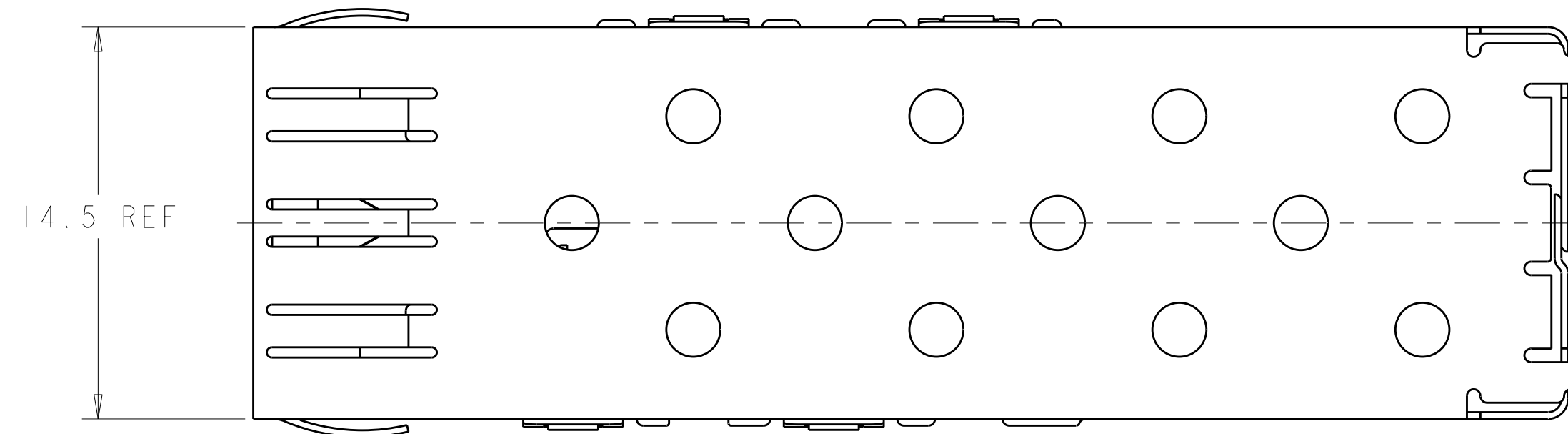
JAMECO[®]
ELECTRONICS

www.Jameco.com ♦ 1-800-831-4242

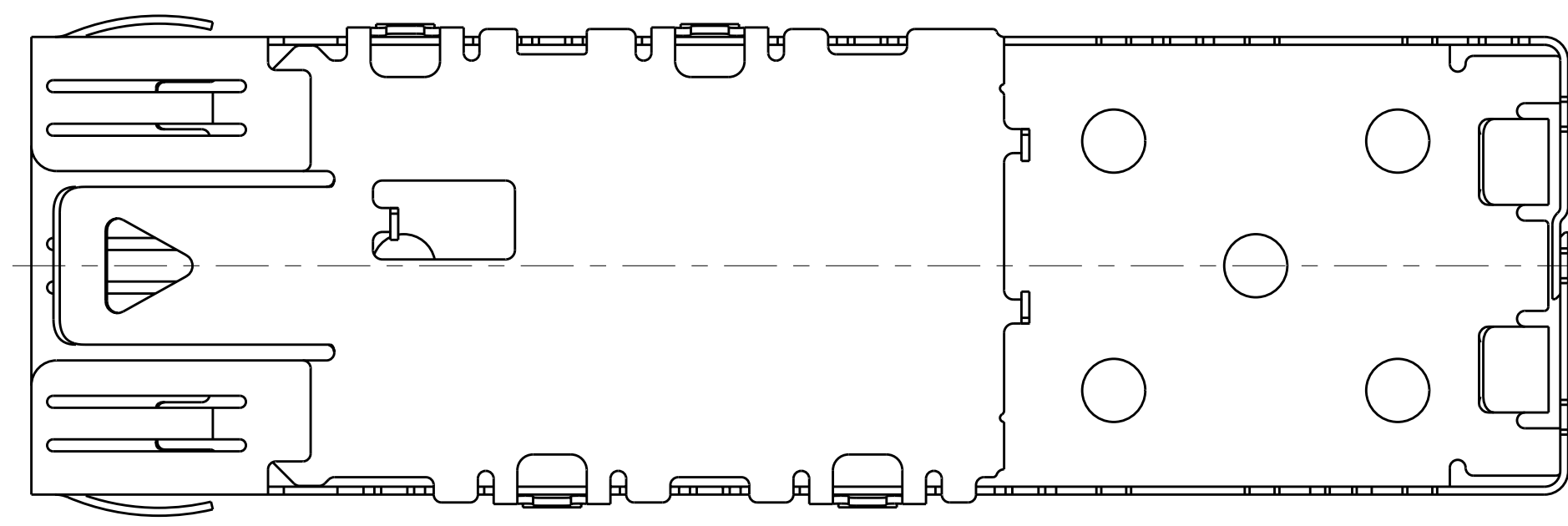
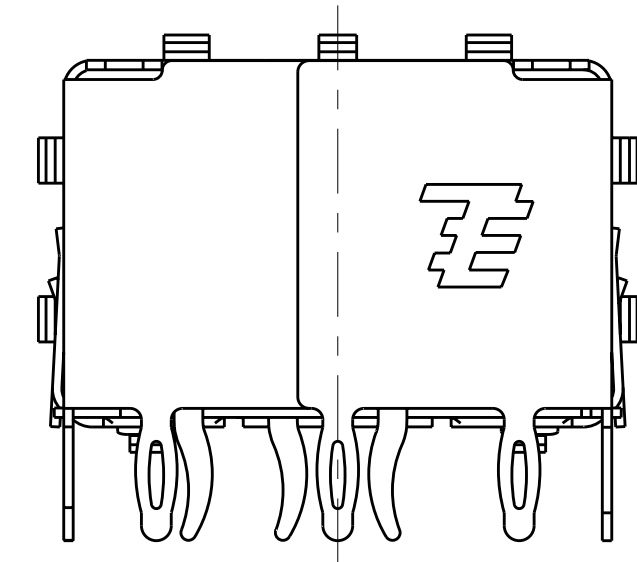
The content and copyrights of the attached
material are the property of its owner.

Jameco Part Number 1962033

LOC	DIST	REVISIONS					
GP	00	P	LTN	DESCRIPTION	DATE	DWN	APVD
		C1		REVISED PER ECO-05-016691	24FEB06	BM	SS
		C2		REVISED PER ECR-07-025798	30OCT07	TZ	SY



3.00 TYP
 TAIL LENGTH



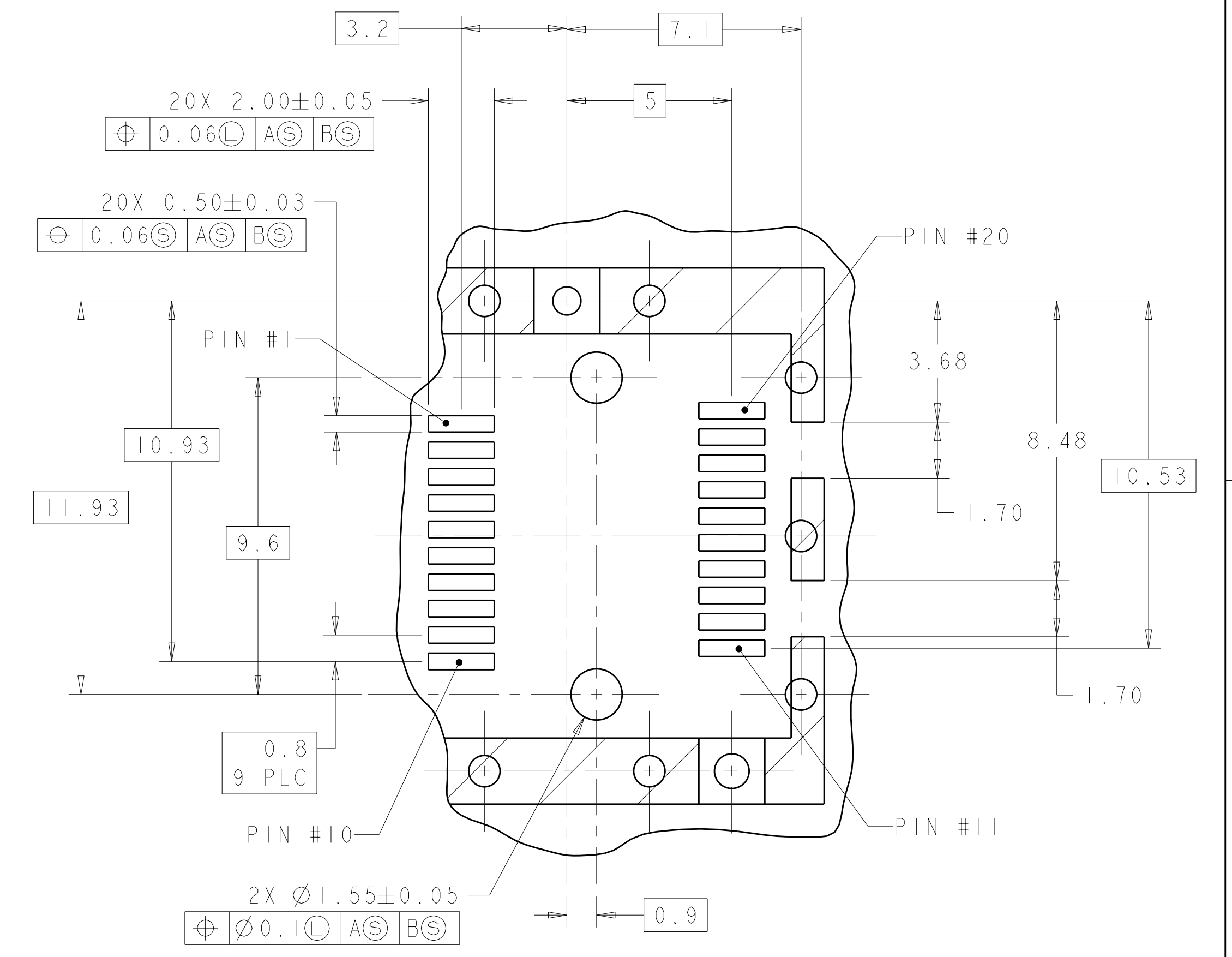
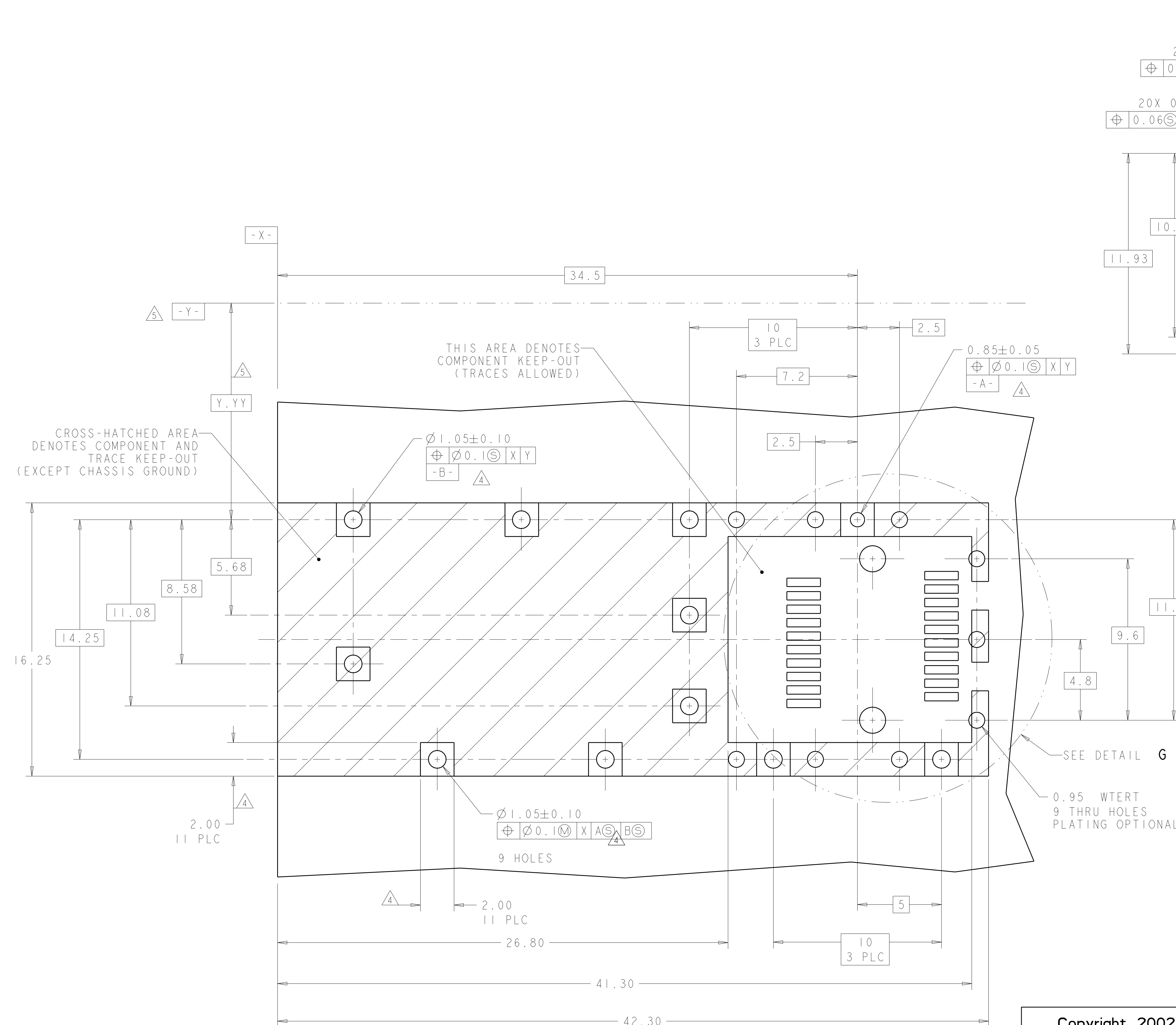
- 1 MATERIAL: 0.25 THICK COPPER ALLOY.
- 2 FINISH: TIN. NONPLATED EDGES PERMISSIBLE.
- 3. SFP MSA COMPATIBLE.
- 4 PADS AND VIAS CHASSIS GROUND.
- 5 DATUM AND BASIC DIMENSION ESTABLISHED BY CUSTOMER.
- 6. MINIMUM PC BOARD THICKNESS:
 SINGLE SIDED= 1.45
 DOUBLE SIDED STAGGERED= 3.00

Copyright 2002
 Tyco Electronics Corp
 All Rights Reserved

DIMENSIONS:		TOLERANCES UNLESS OTHERWISE SPECIFIED:		DWN M. E. SHIRK 14NOV01		Tyco Electronics Harrisburg, PA 17105-3608	
mm	0 PLC ±	0.10	31MAY02	CHK J. KOPPENHEFFER		NAME	
	1 PLC ±	0.15	31MAY02	APVD M. WALMSLEY		CAGE ASSEMBLY, 20 PRESS FIT, SFP	
	2 PLC ±	0.20		PRODUCT SPEC		SIZE CAGE CODE DRAWING NO RESTRICTED TO	
	3 PLC ±	0.25		APPLICATION SPEC		A 100779 C=1489779	
	4 PLC ±	0.30		114-13120		SCALE 5:1 SHEET 1 OF 3 REV C2	
	ANGLES ±			WEIGHT			
	FINISH			CUSTOMER DRAWING			

LOC	DIST	REV	DATE	BY	APPD
GP	00				

REVISIONS		DATE	BY	APPD
-	SEE SHEET 1	-	-	-



DETAIL G
SCALE 8:1

SEE DETAIL G
0.95 WERT
9 THRU HOLES
PLATING OPTIONAL

RECOMMENDED PCB LAYOUT
SCALE 8:1

Copyright 2002
Tyco Electronics Corp
All Rights Reserved

<small>THIS DRAWING IS UNPUBLISHED. RELEASED FOR PUBLICATION. ALL RIGHTS RESERVED. THIS DRAWING IS UNPUBLISHED. RELEASED FOR PUBLICATION. ALL RIGHTS RESERVED. THIS DRAWING IS UNPUBLISHED. RELEASED FOR PUBLICATION. ALL RIGHTS RESERVED.</small>		DWN M.E. SHIRK 14NOV01 CHK J. KOPPENHEFFER 31MAY02 APVD M. WALMSLEY 31MAY02	Tyco Electronics Harrisburg, PA 17105-3608
DIMENSIONS: mm 		TOLERANCES UNLESS OTHERWISE SPECIFIED: 9 PLC ± 1 PLC ±0.10 5 PLC ± 4 PLC ± ANGLES ±	NAME: CAGE ASSEMBLY, 20 PRESS FIT, SFP PRODUCT SPEC: 108-1950 APPLICATION SPEC: 114-13120 WEIGHT: - FINISH: -
MATERIAL: - FINISH: -		CUSTOMER DRAWING SCALE 5:1 SHEET 3 OF 3 REV C2	SIZE: A100779 CAGE CODE: C=1489779