

Distributed by:

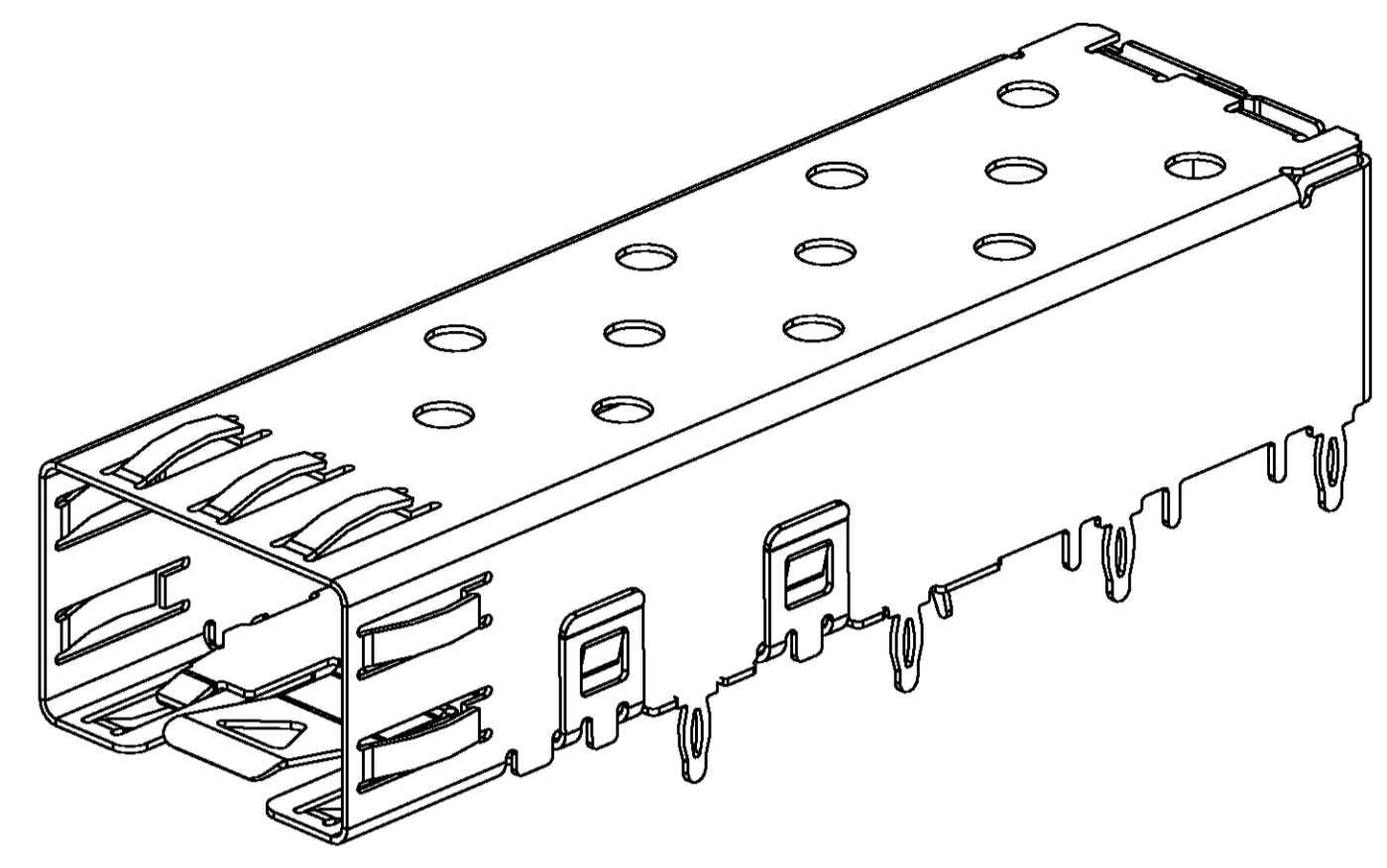
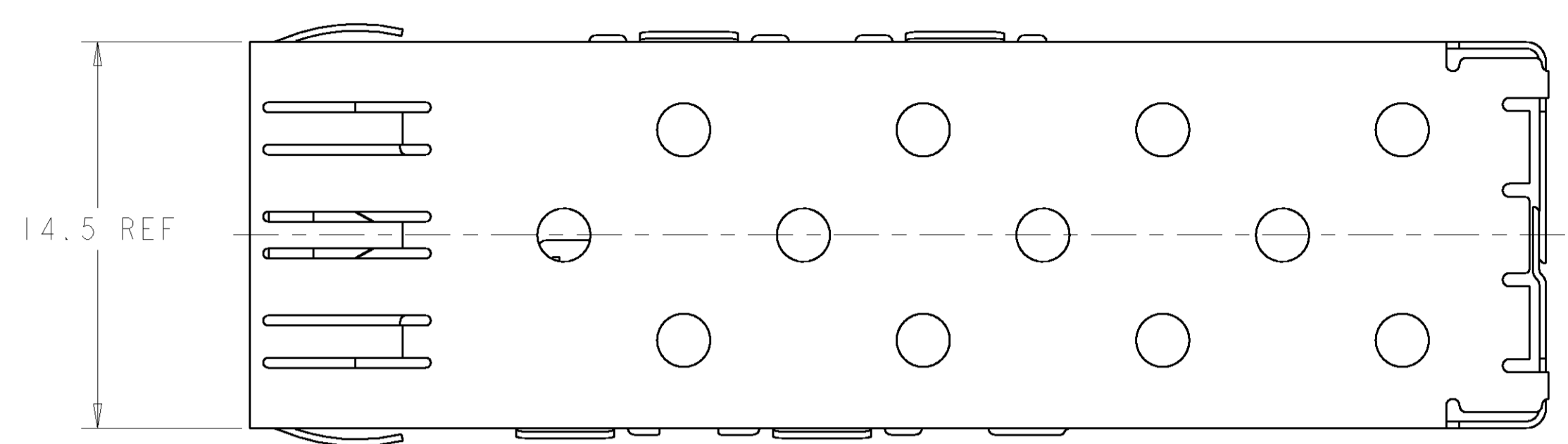
JAMECO[®]
ELECTRONICS

www.Jameco.com ♦ 1-800-831-4242

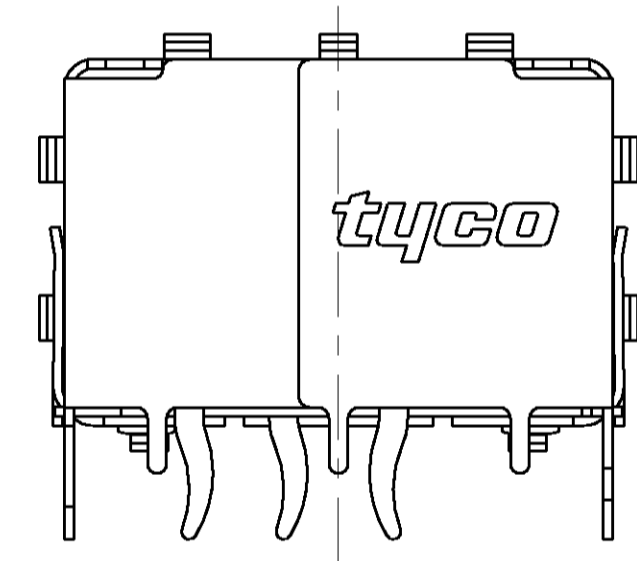
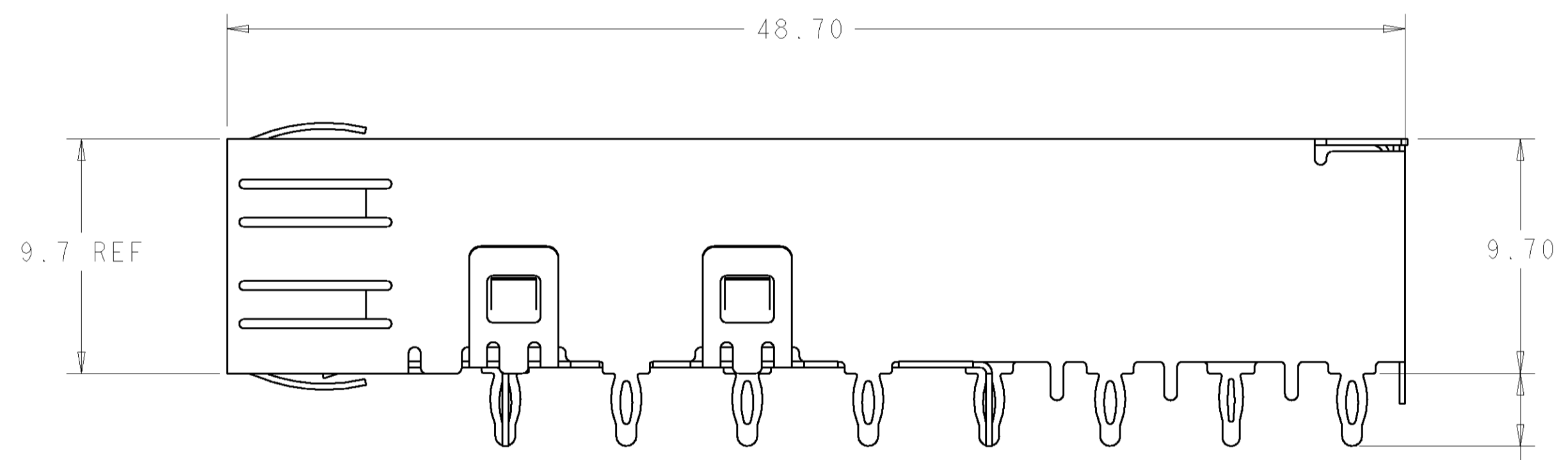
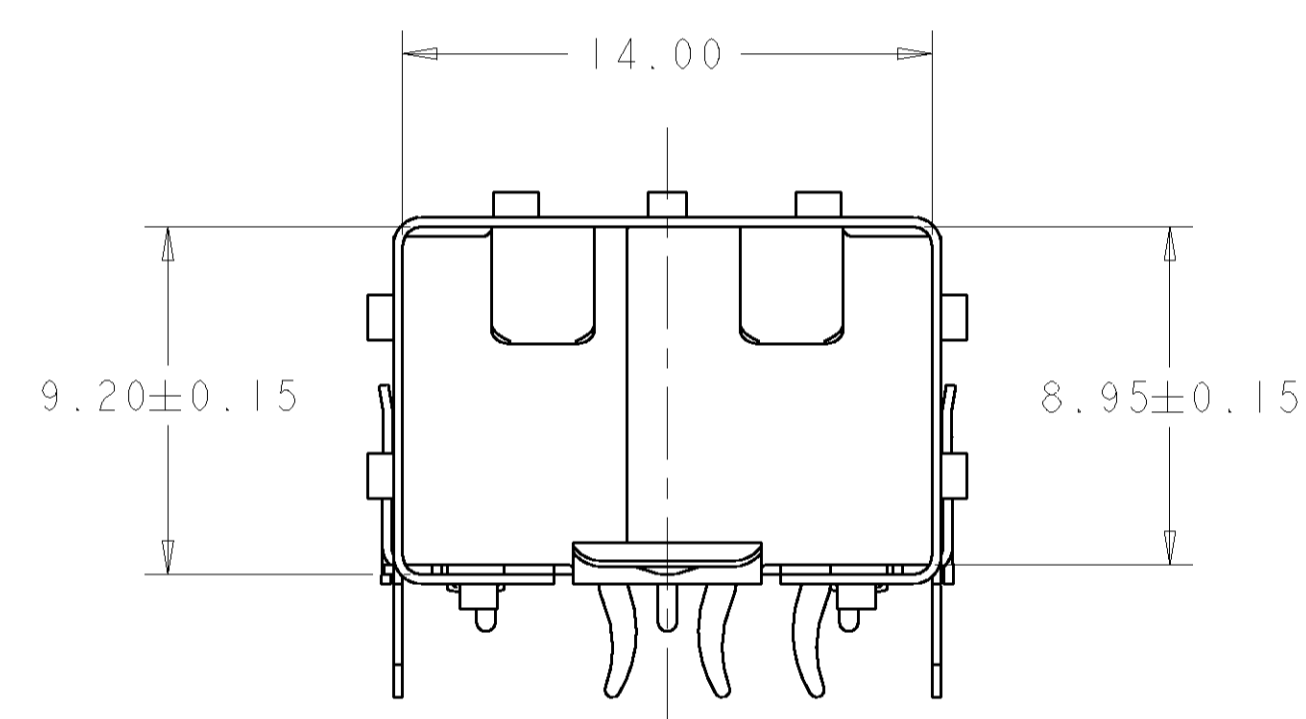
The content and copyrights of the attached
material are the property of its owner.

Jameco Part Number 741247

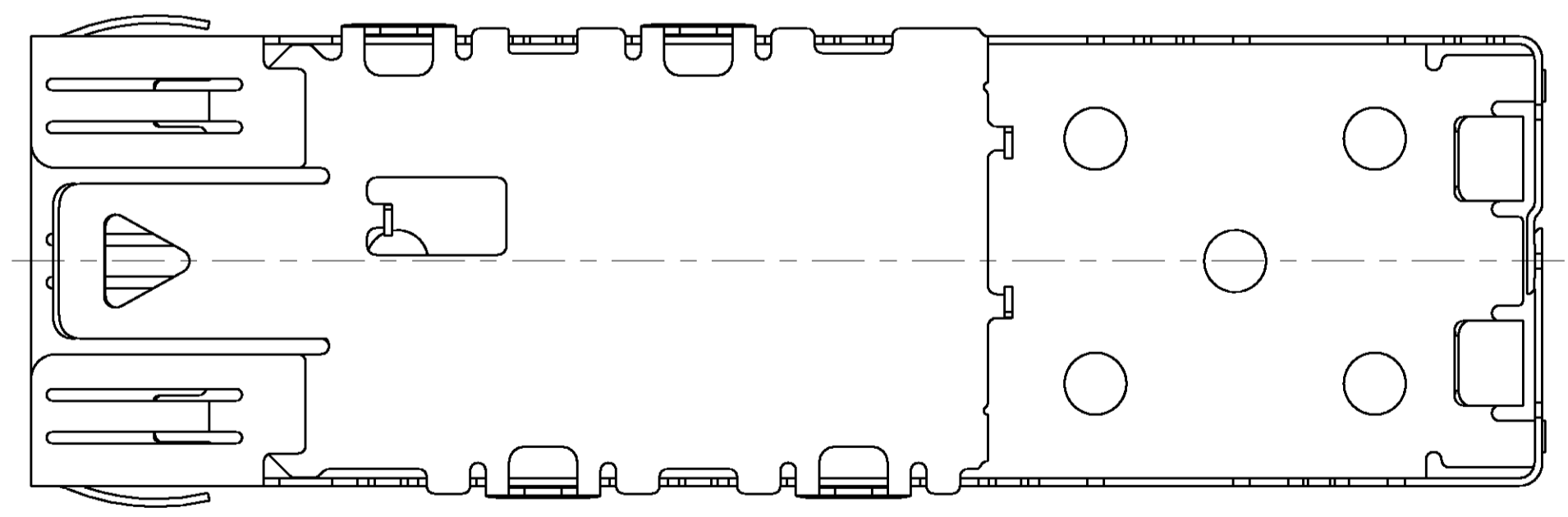
LOC		DIST		REVISONS			
GP	00	P	LTR	DESCRIPTION	DATE	DWN	APVD
		C1		REVISED PER ECO-05-016691	24FEB06	BM	SS



SCALE 4:1



3.00 TYP
TAIL LENGTH

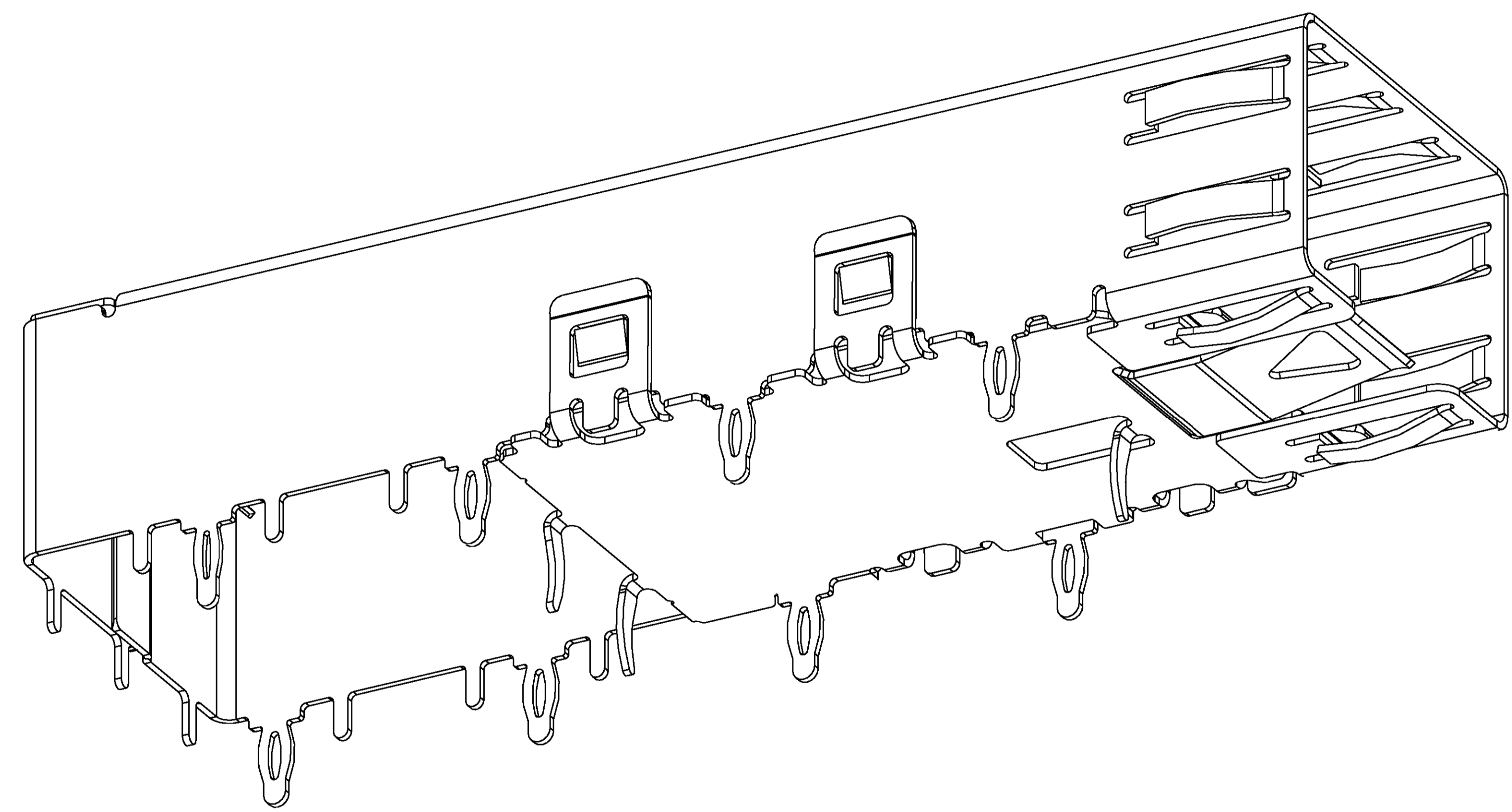


- 1 MATERIAL: 0.25 THICK COPPER ALLOY.
- 2 FINISH: TIN. NONPLATED EDGES PERMISSIBLE.
- 3. SFP MSA COMPATIBLE.
- 4 PADS AND VIAS CHASSIS GROUND.
- 5 DATUM AND BASIC DIMENSION ESTABLISHED BY CUSTOMER.
- 6. MINIMUM PC BOARD THICKNESS:
 SINGLE SIDED= 1.45
 DOUBLE SIDED= 3.00

Copyright 2002
 Tyco Electronics Corp
 All Rights Reserved

DIMENSIONS:		TOLERANCES UNLESS OTHERWISE SPECIFIED:		DWN M. E. SHIRK 02AUG01		Tyco Electronics	
mm		0 PLC ±		ENR J. KOPPENHEFFER 31MAY02		Tyco Electronics Harrisburg, PA 17105-3608	
Ø		1 PLC ±0.10		APVD M. WALMSLEY 31MAY02		NAME	
H		2 PLC ±		PRODUCT SPEC		CAGE ASSEMBLY, 11 PRESS FIT, SFP	
L		3 PLC ±		APPLICATION SPEC		SIZE CAGE CODE DRAWING NO RESTRICTED TO	
R		4 PLC ±		114-13120		A 100779 C=1489669	
S		ANGLES ±		WEIGHT		SCALE 5:1 SHEET 1 OF 3 REV C1	
T		FINISH		CUSTOMER DRAWING			

LOC	DIST	REVISIONS					
		P	LTR	DESCRIPTION	DATE	DWN	APVD
GP	00	-	-	SEE SHEET 1	-	-	-

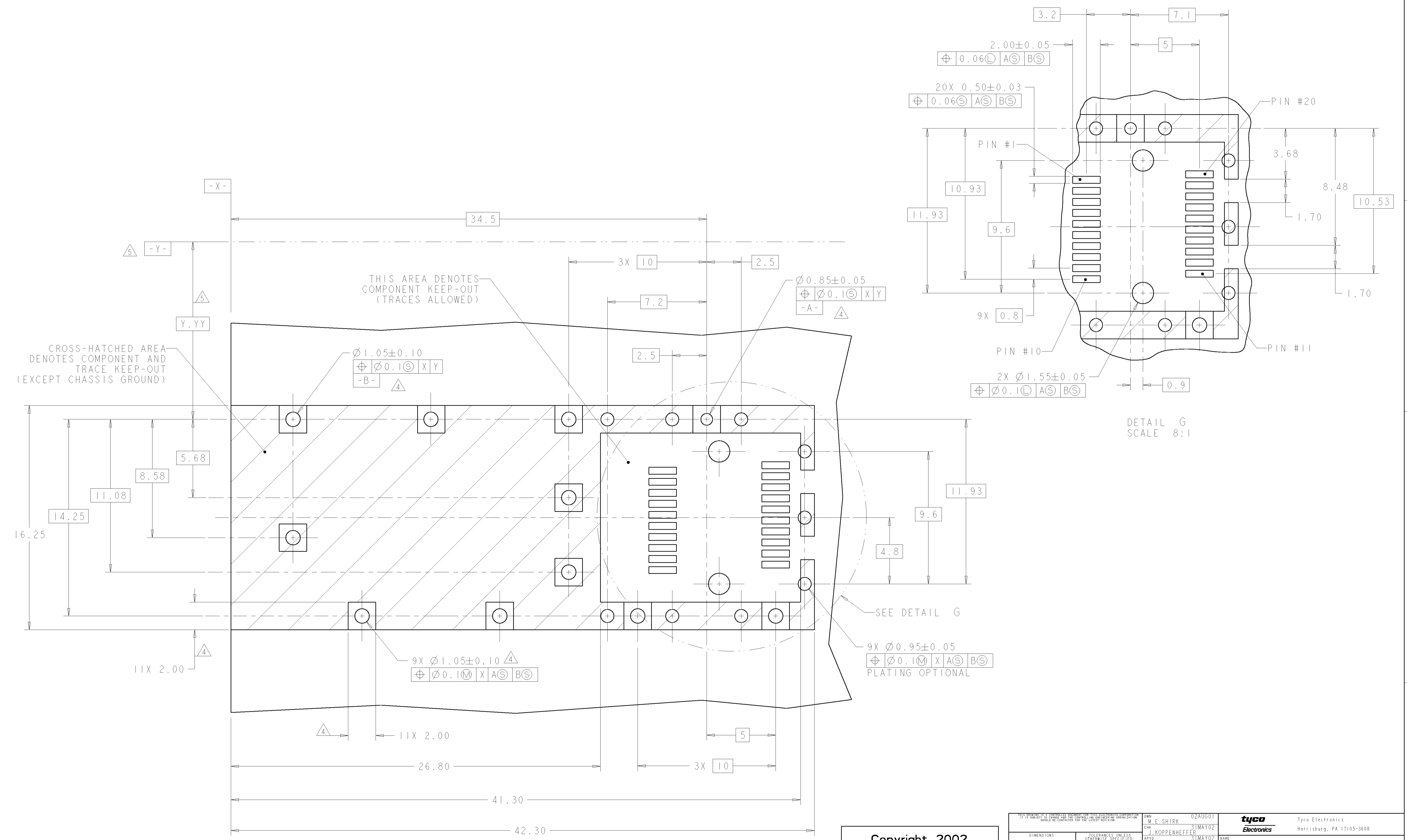


SCALE 8:1

Copyright 2002
Tyco Electronics Corp
All Rights Reserved

<small>THIS DRAWING IS UNPUBLISHED. RELEASED FOR PUBLICATION 20 COPYRIGHT 20 BY TYCO ELECTRONICS CORPORATION. ALL RIGHTS RESERVED.</small>		DWN M. E. SHIRK 02AUG01 ENR J. KOPPENHEFFER 31MAY02 APVD M. WALMSLEY 31MAY02	Tyco Electronics Harrisburg, PA 17105-3608
DIMENSIONS: mm 	TOLERANCES UNLESS OTHERWISE SPECIFIED: 0 PLC ± 1 PLC ±.10 2 PLC ±.10 3 PLC ± 4 PLC ± ANGLES ± FINISH	NAME PRODUCT SPEC APPLICATION SPEC WEIGHT CUSTOMER DRAWING	CAGE ASSEMBLY, 11 PRESS FIT, SFP SIZE CAGE CODE DRAWING NO A 100779 C=1489669 SCALE 5:1 SHEET 2 OF 3 REV C

LOC	DIST	P	LTR	DESCRIPTION	DATE	DWN	APVD
GP	00	-	-	SEE SHEET 1	-	-	-



RECOMMENDED PCB LAYOUT
 SCALE 8:1

Copyright 2002
 Tyco Electronics Corp
 All Rights Reserved

DIMENSIONS: mm 		TOLERANCES UNLESS OTHERWISE SPECIFIED: 0 PLC ± 1 PLC ±0.10 2 PLC ± 3 PLC ± 4 PLC ± ANGLES ±		DWN M. E. SHIRK 02AUG01 ENR J. KOPPENHEFFER 31MAY02 APVD M. WALMSLEY 31MAY02 NAME PRODUCT SPEC 108-1950 APPLICATION SPEC 114-13120 WEIGHT CUSTOMER DRAWING		Tyco Electronics Harrisburg, PA 17105-3608 CAGE ASSEMBLY, 11 PRESS FIT, SFP SIZE CAGE CODE DRAWING NO RESTRICTED TO A 100779 C-1489669 SCALE 5:1 SHEET 3 OF 3 REV C I	
-----------------------	--	---	--	---	--	---	--