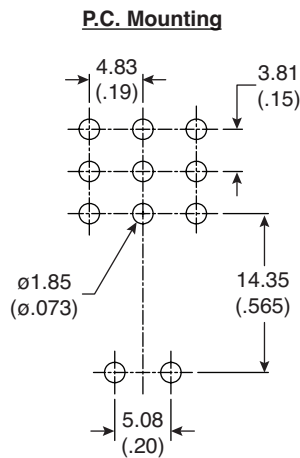
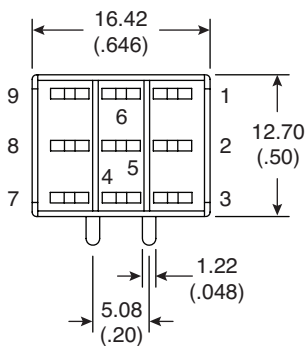
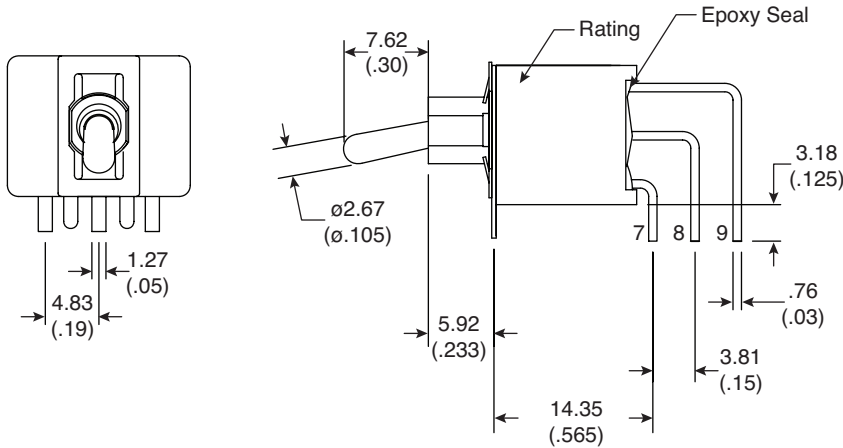
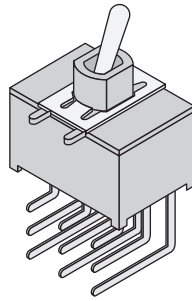


Dimensions: mm (In.)



POS.1	POS.2	POS.3
ON	OFF	ON
2-3,5-6,8-9	OPEN	2-1,5-4,8-7

Switch Function

Electrical Specifications:

- Contact resistance: 10mΩ max. initial @ 2-4VDC 100mA
- Insulation resistance: 1,000MΩ min.
- Dielectric strength: 1,000 V RMS@sea level
- Rating: 2A / 250VAC; 5A / 120VAC or 28VDC

Mechanical Specifications:

- Mechanical life: 30,000 make-and-break cycles
- Operating temperature: -30°C to 85°C

Note:

- RoHS Compliant by Exemption

Sealed Miniature Toggle Switch  
108-1A33T2717-EVX

