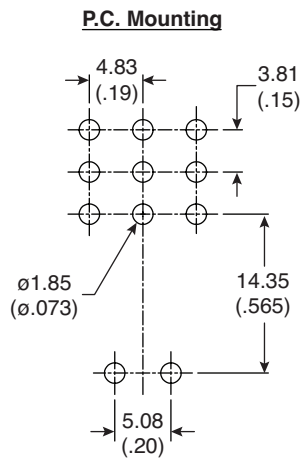
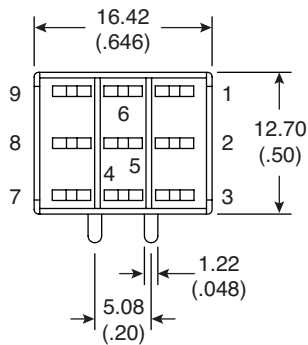
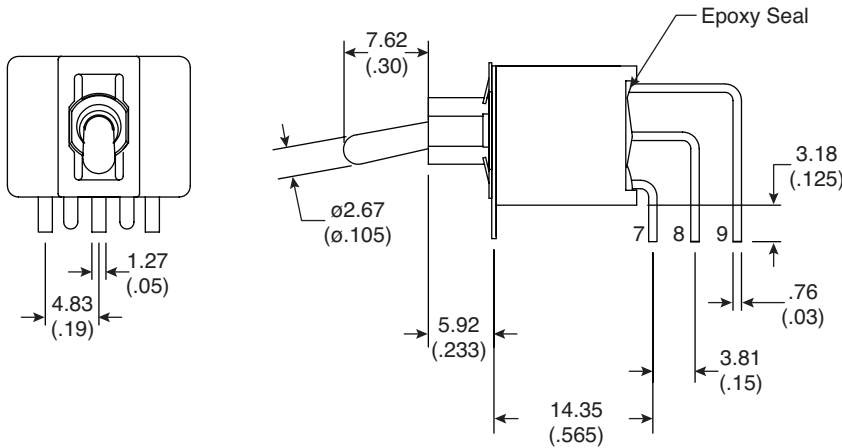
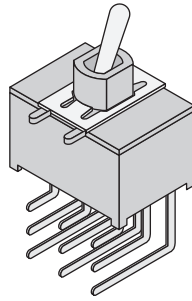


Dimensions: mm (In.)



POS.1	POS.2	POS.3
ON 2-3,5-6,8-9	NONE	ON 2-1,5-4,8-7
	OPEN	

Switch Function

Electrical Specifications:

- Contact resistance: 10m Ω max. initial @ 2-4VDC 100mA
- Insulation resistance: 1,000M Ω min.
- Dielectric strength: 1,000 V RMS@sea level
- Rating: 2A / 250VAC; 5A / 120VAC or 28VDC

Mechanical Specifications:

- Mechanical life: 30,000 make-and-break cycles
- Operating temperature: -30°C to 85°C

Note:

- RoHS Compliant by Exemption

Sealed Miniature Toggle Switch
108-1A31T2715-EVX

